

OVATION

R Ê V E F-3 IP

User Manual



Model ID: OVATIONREVEF3IP


CHAUVET
PROFESSIONAL

Edition Notes

The Ovation Rêve F-3 IP User Manual includes a description, safety precautions, installation, programming, operation, and maintenance instructions for the Ovation Rêve F-3 IP as of the release date of this edition.

Trademarks

Chauvet, Chauvet Professional, the Chauvet logo, Ovation, and Ovation Rêve are registered trademarks or trademarks of Chauvet & Sons, LLC (d/b/a Chauvet and Chauvet Lighting) in the United States and other countries. Other company and product names and logos referred to herein may be trademarks of their respective companies.

Copyright Notice

The works of authorship contained in this manual, including, but not limited to, all designs, text, and images are owned by Chauvet.

© Copyright 2024 Chauvet & Sons, LLC. All rights reserved.

Electronically published by Chauvet in the United States of America.

Manual Use

Chauvet authorizes its customers to download and print this manual for professional information purposes only. Chauvet expressly prohibits the usage, copy, storage, distribution, modification, or printing of this manual or its content for any other purpose without written consent from Chauvet.

Document Printing

For best results, print this document in color, on letter size paper (8.5 x 11 in), double-sided. If using A4 paper (210 x 297 mm), configure the printer to scale the content accordingly.

Intended Audience

Any person installing, operating, and/or maintaining this product should completely read through the guide that shipped with the product, as well as this manual, before installing, operating, or maintaining this product.

Disclaimer

Chauvet believes that the information contained in this manual is accurate in all respects. However, Chauvet assumes no responsibility and specifically disclaims any and all liability to any party for any loss, damage, or disruption caused by any errors or omissions in this document, whether such errors or omissions result from negligence, accident, or any other cause. Chauvet reserves the right to revise the content of this document without any obligation to notify any person or company of such revision, however, Chauvet has no obligation to make, and does not commit to make, any such revisions.

Document Revision

Go to www.chauvetprofessional.com for the latest version.

Revision	Date	Description
1	04/2024	Initial release.

TABLE OF CONTENTS

1. Before You Begin 1

 What Is Included 1

 Claims 1

 Text Conventions 1

 Symbols 1

 Safety Notes..... 2

 FCC Statement of Compliance 3

 Expected LED Lifespan..... 3

2. Introduction 4

 Description 4

 Features 4

 Product Overview 4

 Product Dimensions 5

3. Setup 6

 AC Power 6

 AC Plug 6

 Power Linking..... 6

 DMX Linking..... 6

 DMX Personalities..... 6

 Remote Device Management (RDM) 6

 Master/Slave Connectivity..... 7

 USB Software Update 7

 Force Upload..... 8

 Mounting 9

 Orientation..... 9

 Rigging 9

 Procedure..... 9

 Adjustable Yoke 9

4. Operation 10

 Control Panel Description 10

 Programming..... 10

 Passcode 10

 Menu Map 10

 DMX Configuration..... 14

 DMX Personalities..... 14

 Starting Address..... 14

 Virtual Color Wheel 15

 Virtual Color Wheel Chart 15

 Color Temperature Chart 16

 DMX Channel Assignments and Values 17

 Control Chart..... 17

 18 Ch / 14 Ch2 / 14 Ch1 / 12 Ch / 8 Ch / 6 Ch / 5 Ch 17

 HSV 18

 1Ch..... 18

Standalone Configuration.....	18
Static Mode	18
Virtual Color Wheel.....	18
Color Temperature.....	18
Manual Color Mixer.....	18
Color X-Fade Speed	18
Standalone Dimmer	18
Auto Show.....	19
Zoom	19
Settings Configuration.....	19
DMX Zoom Disable	19
Reset Zoom with Power	19
Red Shift	19
Master/Slave	19
Dimmer Curve	19
Dimmer Speed Mode	19
Color Calibration	20
Pulse Width Modulation	20
Fan Mode	20
Display Backlight.....	20
Key Lock	20
Information	20
Factory Reset.....	20
5. Maintenance.....	21
Product Maintenance	21
6. Technical Specifications	22
Contact Us	23
Warranty & Returns.....	23

Before You Begin

1. Before You Begin

What Is Included

- Ovation Rêve F-3 IP
- Seetronic Powerkon IP65 power cable
- Gel frame holder (7.5 in/191 mm accessories)
- 140 mm Omega bracket with mounting hardware
- Quick Reference Guide

Claims

Carefully unpack the product immediately and check the container to make sure all the parts are in the package and are in good condition.




If the box or the contents (the product and included accessories) appear damaged from shipping, or show signs of mishandling, notify the carrier immediately, not Chauvet. Failure to report damage to the carrier immediately may invalidate a claim. In addition, keep the box and contents for inspection.

For other issues, such as missing components or parts, damage not related to shipping, or concealed damage, file a claim with Chauvet within 7 days of delivery.

Text Conventions

Convention	Meaning
1–512	A range of values
50/60	A set of values of which only one can be chosen
Settings	A menu option not to be modified
<ENTER>	A key to be pressed on the product's control panel

Symbols

Symbol	Meaning
	Critical installation, configuration, or operation information. Not following these instructions may make the product not work, cause damage to the product, or cause harm to the operator.
	Important installation or configuration information. The product may not function correctly if this information is not used.
	Useful information.



Any reference to data or power connections in this manual assumes the use of Seetronic IP rated cables.



The term “DMX” used throughout this manual refers to the USITT DMX512-A digital data transmission protocol.

Safety Notes

Read all the following safety notes before working with this product. These notes contain important information about the installation, usage, and maintenance of this product.



This product contains no user-serviceable parts. Any reference to servicing in this User Manual will only apply to properly trained, certified technicians. Do not open the housing or attempt any repairs.



All applicable local codes and regulations apply to proper installation of this product.

- The luminaire is intended for professional use only.
- The luminaire should be positioned so that prolonged staring into the luminaire at a distance closer than 1.64 ft (0.5 m) is not expected.
- If the external flexible cable or cord of this luminaire is damaged, it shall be replaced by a special cord or cord exclusively available from the manufacturer or its service agent.
- The light source contained in this luminaire shall only be replaced by the manufacturer or its service agent or a similar qualified person.
- **CAUTION:**
 - This product's housing may be hot when operating. Mount this product in a location with adequate ventilation, at least 20 in (50 cm) from adjacent surfaces.
 - When transferring the product from extreme temperature environments, (e.g., cold truck to warm humid ballroom) condensation may form on the internal electronics of the product. To avoid causing a failure, allow the product to fully acclimate to the surrounding environment before connecting it to power.
 - Flashing light is known to trigger epileptic seizures. User must comply with local laws regarding notification of strobe use.
- **ALWAYS:**
 - Disconnect from power before cleaning the product.
 - When using an IP65-rated product in an outdoor environment, use IP65- (or higher) rated power and data cable.
 - Replace and secure IP-rated protective covers to all power, data, USB, or other ports when not in use.
 - Use a safety cable when mounting this product overhead.
 - Connect this product to a grounded and protected circuit.
- **DO NOT:**
 - Open this product. It contains no user-serviceable parts.
 - Look at the light source when the product is on.
 - Leave any flammable material within 20 cm of this product while operating or connected to power.
 - Connect this product to a dimmer or rheostat.
 - Operate this product if the housing, lenses, or cables appear damaged.
 - Submerge this product (adhere to standards for the published IP rating). Regular outdoor operation is fine.
 - Permanently install outdoors in locations with extreme environmental conditions. This includes, but is not limited to:
 - Exposure to a marine/saline environment (within 3 miles of a saltwater body of water).
 - Locations where normal temperatures exceed the temperature ranges in this manual.
 - Locations that are prone to flooding or being buried in snow.
 - Other areas where the product will be subject to extreme radiation or caustic substances.
 - **ONLY** use the hanging/mounting bracket to carry this product.
 - The maximum ambient temperature is 113 °F (45 °C). Do not operate this product at higher temperatures.
 - The minimum startup temperature is -4°F (-20°C). Do not start the product at lower temperatures.
 - The minimum ambient temperature is -22°F (-30°C). Do not operate the product at lower temperatures.
 - To eliminate unnecessary wear and improve its lifespan, during periods of non-use completely disconnect the product from power via breaker or by unplugging it.
 - In the event of a serious operating problem, stop using immediately.



If this Chauvet product requires service, contact Chauvet Technical Support.

Before You Begin

FCC Statement of Compliance

This device complies with Part 15 Part B of the FCC rules. Operation is subject to the following two conditions:

1. This device may not cause harmful interference, and
2. This device must accept any interference received, including interference that may cause undesired operation.

This equipment has been tested and found to comply with the limits for a Class B digital device, pursuant to Part 15 of the FCC Rules. These limits are designed to provide reasonable protection against harmful interference in a residential installation. This equipment generates uses and can radiate radio frequency energy and, if not installed and used in accordance with the instructions, may cause harmful interference to radio communications. However, there is no guarantee that interference will not occur in a particular installation. If this equipment does cause harmful interference to radio or television reception, which can be determined by turning the equipment off and on, the user is encouraged to try to correct the interference by one or more of the following measures:

- Reorient or relocate the receiving antenna.
- Increase the separation between the equipment and receiver.
- Connect the equipment into an outlet on a circuit different from that to which the receiver is connected.
- Consult the dealer or an experienced radio/TV technician for help.

Any changes or modifications not expressly approved by the party responsible for compliance could void the user's authority to operate the equipment.

Expected LED Lifespan

Over time, use and heat will gradually reduce LED brightness. Clustered LEDs produce more heat than single LEDs, contributing to shorter lifespans if always used at full intensity. The average LED lifespan is 40,000 to 50,000 hours. To extend LED lifespan, maintain proper ventilation around the product, and limit the overall intensity.

2. Introduction

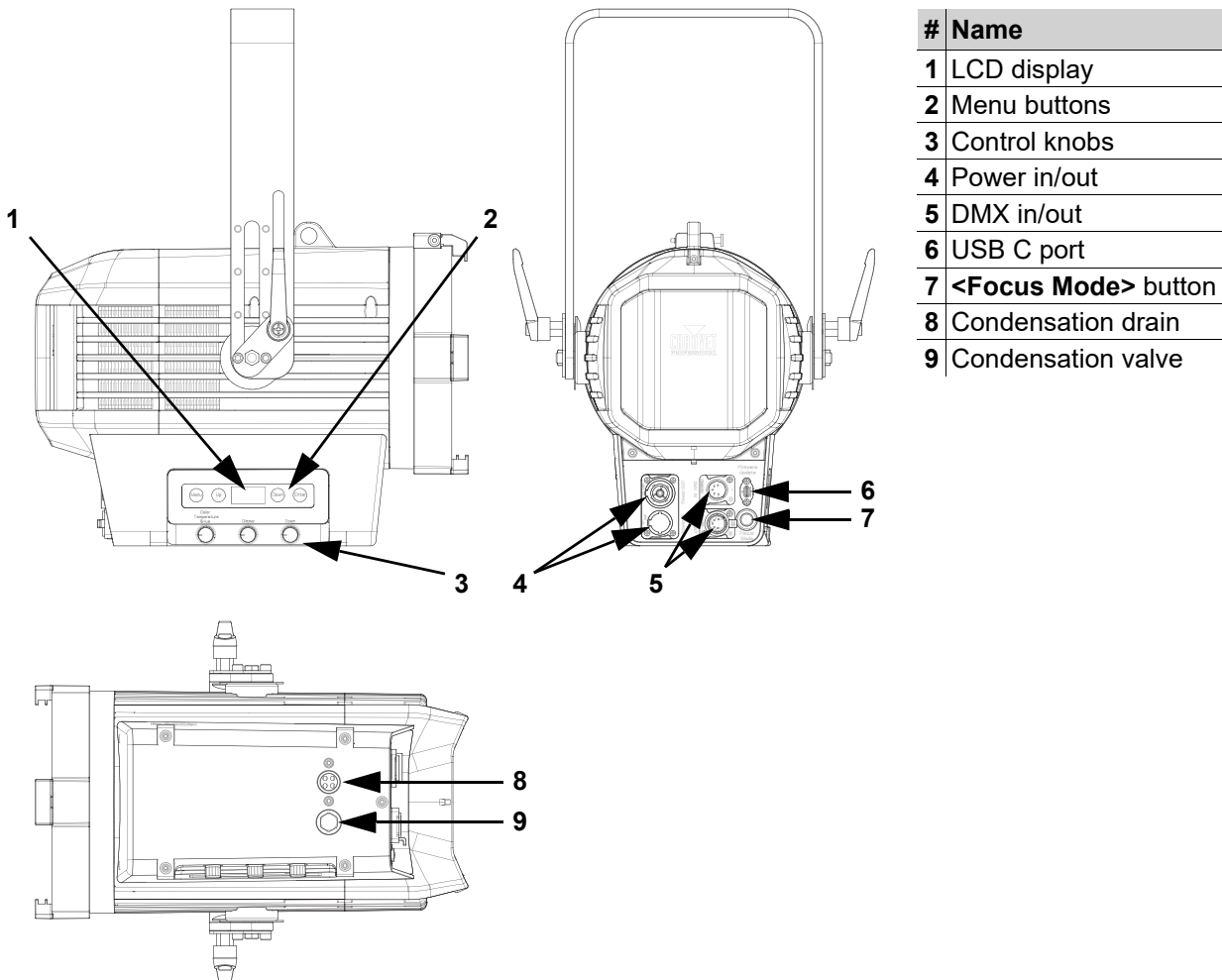
Description

The Ovation Rêve F-3 IP is an outdoor-rated motorized fresnel incorporating the full spectrum (RGBAM) Rêve light engine. With easy on-board control dials and quiet operation, the Ovation Rêve F-3 IP represents a solution for applications and markets in need of soft controllable washes. Rain or shine, the adjustable yoke allows it to be mounted anywhere, even in low clearance areas. Featuring an optical system designed for longer throws with zoom range that can narrow from 60 degrees to 10 degrees, the Ovation Rêve F-3 IP is at home in theaters, houses of worship, and on TV and film sets, as well as the rental and production world. Smooth dimming, +/- green adjustment, linear CCT and adjustable Pulse Width Modulation ensure performance that looks as good on camera as it does live.

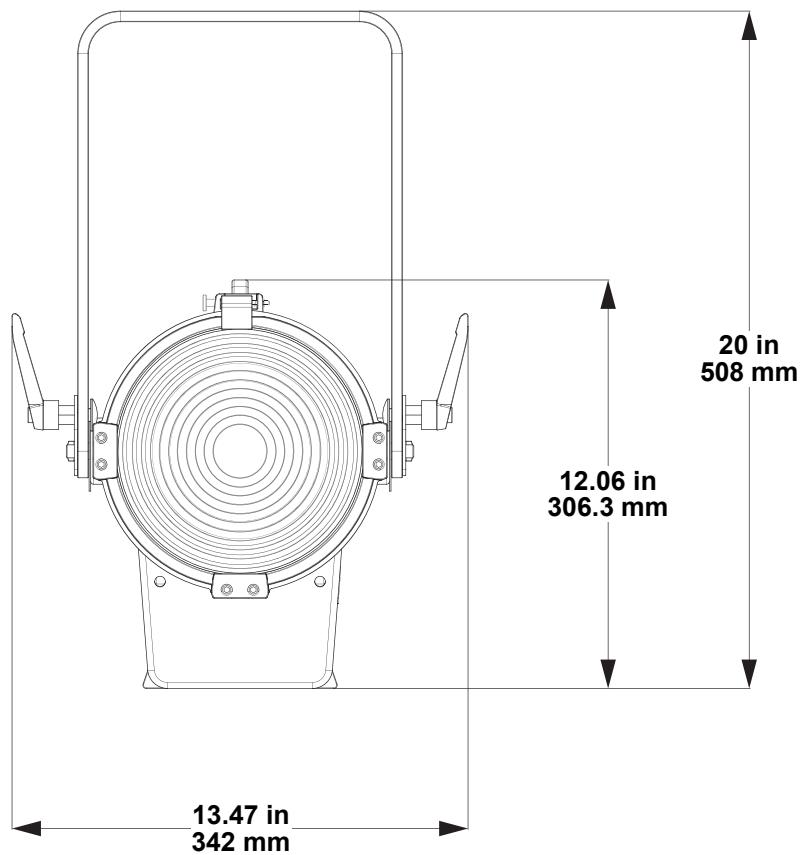
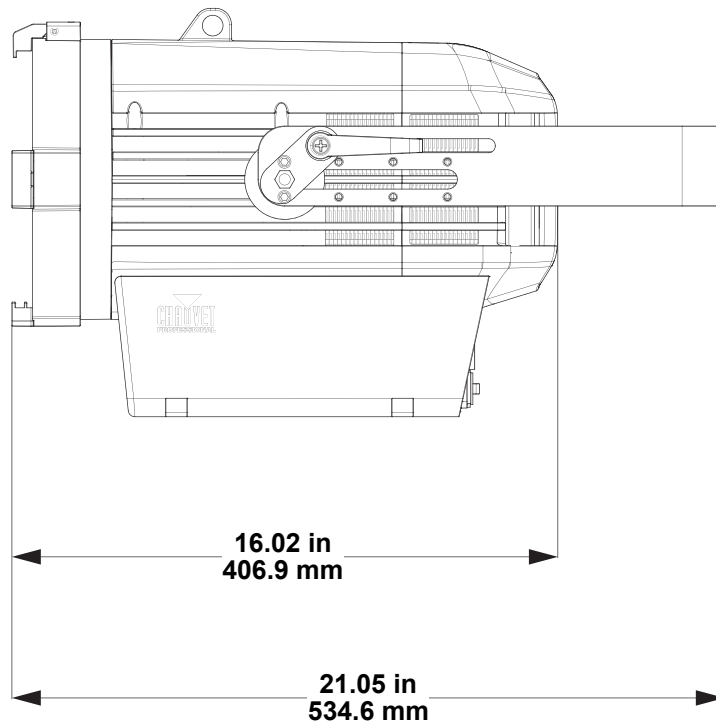
Features

- Full-spectrum LED fresnel lighting fixture for theatre, film and production
- Fully IP65 rated for seasonal use indoors or out
- Addition on-board control for multiple parameters via 3 control dials
- Linear color temperature presets from 2800 K to 8000 K with high CRI and CQS
- Virtual color wheel with color matched to popular gel colors
- +/- Green adjustment and emulated red-shift via DMX or on-board control
- RDM (Remote Device Management) for added flexibility
- Adjustable PWM (Pulse Width Modulation) to avoid flickering on camera
- Virtually silent operation for use in studio, film and theatre applications
- Ultra-smooth 16-bit dimming curves and speeds to complement any lighting scheme.
- Innovative adjustable yoke for mounting in low clearance areas
- USB Port for Software updates

Product Overview



Product Dimensions



3. Setup

AC Power

The Ovation Rêve F-3 IP has an auto-ranging power supply and it can work with an input voltage range of 100 to 240 VAC, 50/60 Hz.

To determine the product's power requirements (circuit breaker, power outlet, and wiring), use the current value listed on the label affixed to the product's back panel, or refer to the product's specifications chart. The listed current rating indicates the product's average current draw under normal conditions.



- **Always connect the product to a protected circuit (a circuit breaker or fuse). Ensure the product has an appropriate electrical ground to avoid the risk of electrocution or fire.**
- **To eliminate unnecessary wear and improve its lifespan, during periods of non-use completely disconnect the product from power via breaker or by unplugging it.**



Never connect the product to a rheostat (variable resistor) or dimmer circuit, even if the rheostat or dimmer channel serves only as a 0 to 100% switch.

AC Plug

The Ovation Rêve F-3 IP comes with a power input cable terminated with a Seetronic Powerkon A connector on one end and an Edison plug on the other end (U.S. market). If the power cable which came with the product has no plug, or if it is necessary to change the plug, use the table below to wire a plug.

Connection	Wire (U.S.)	Wire (Europe)	Screw Color
AC Live	Black	Brown	Yellow or Brass
AC Neutral	White	Blue	Silver
AC Ground	Green/Yellow	Green/Yellow	Green

Power Linking

It is possible to power link Ovation Rêve F-3 IP products. See the table below for the current draw at each voltage and frequency:

	100 V, 60 Hz	120 V, 60 Hz	208 V, 60 Hz	230 V, 50 Hz	240 V, 50 Hz
Current Draw	5.35 A	4.46 A	2.56 A	2.24 A	2.19 A

Never exceed 12 A on a single circuit. Power-linking cables can be purchased separately.

DMX Linking

The Ovation Rêve F-3 IP can be linked to a DMX controller using a 5-pin DMX connection. If using other DMX-compatible products with this product, it's possible to control each individually with a single DMX controller.

DMX Personalities

The Ovation Rêve F-3 IP uses a 5-pin DMX data connection for the **1 Ch, 5 Ch, 6 Ch, 8 Ch, 12 Ch, 14 Ch1, 14 Ch2, 18 Ch**, and **HSV** DMX personalities.

- Refer to the [Operation](#) chapter to learn how to configure the Ovation Rêve F-3 IP to work in these personalities.
- The [DMX Channel Assignments and Values](#) section provides detailed information regarding the DMX personalities.



For information about DMX standards, Master/Slave connectivity, or the DMX cables needed to link this product to a DMX controller, download the DMX Primer from the Chauvet website: www.chauvetprofessional.com.

Remote Device Management (RDM)

Remote Device Management, or RDM, is a standard for allowing DMX-enabled devices to communicate bi-directionally along existing DMX cabling. Check the DMX controller's User Manual or with the manufacturer as not all DMX controllers have this capability. The Ovation Rêve F-3 IP supports RDM protocol that allows feedback to make changes to menu map options.

Master/Slave Connectivity

The Master/Slave mode allows an Ovation Rêve F-3 IP (the master) to control one or more Ovation Rêve F-3 IP products (the slaves) without a DMX controller. One Ovation Rêve F-3 IP becomes the master when running an auto program or in Static mode.

Each slave's control panel must be configured to operate in Slave mode. During Master/Slave operation, the slaves will operate in unison with the master.



DO NOT connect a DMX controller to products operating in Master/Slave mode. The DMX controller signals may interfere with the signals from the master.



- The [Operation](#) section of this manual provides detailed instructions on how to configure the master and slaves.
- For more information about DMX standards or the DMX cables needed to link this product to a DMX controller, download the DMX primer from the Chauvet website: www.chauvetprofessional.com.

USB Software Update

The Ovation Rêve F-3 IP allows for software updates with a USB device using the built-in USB port. To update the software using a USB flash drive, do the following:

1. Power on the product, and plug the flash drive into the USB port.
2. Once the flash drive has been detected, the message “**Upgrade Firmware**” will be displayed. Press <ENTER>. If a different message appears on the display, search for the updated software in the main menu (**Update Firmware**) and select from **Only This Unit**, **Multiple Fixture**, **Other Fixture Type**, or **Fixture to Fixture**. A list of the updated software files will be displayed.
3. Select the file that needs to be uploaded. The message “**Are you sure?**” will be displayed. Press <ENTER>.



If the selected file is incorrect, the upgrade will fail, and the display will go back to the main interface. Repeat steps 1–3 using the correct file.

4. If the selected file is correct, the upgrade will start. DO NOT turn off the power or disconnect the USB during the process. USB update can take several minutes to complete.
5. When the update is completed, the fixture will automatically reboot.
6. Go to **Information** on the product's menu map and confirm the firmware revision.
7. When the boot-up process is finished, restart the product.



- Place the .chl file in the root directory of the USB drive.
- The product's USB port supports up to 32GB capacity and only works with FAT32 file format.



Turning off the power, removing the USB, or not setting the fixture to the correct protocol during the update can cause partial or total firmware failure in the targeted fixture(s). Please refer to [Force Upload](#) section to fix firmware failure issues.

Force Upload

A Force Upload is done whenever a software update fails due to accidental removal of the USB flash drive, incorrect control protocol, or loss of power during a regular software update process.



- **A Force Upload process requires a target fixture (the fixture that needs a Force Upload and a main fixture (the fixture that controls the upload process).**
- **The Force Upload process can only be done one target fixture at a time.**

To do a Force Upload, follow the instructions below:

1. Link the target fixture to the main fixture via a DMX 5-pin connection. Ensure that the target fixture is turned off.
2. Turn on the main fixture and set its protocol to **DMX512**.
3. Plug the flash drive into the USB-C port of the main fixture.
4. Go to Upgrade Firmware on the menu map.
5. Choose between **Multiple Fixture** and **Other Fixture Type**. Press **<ENTER>**.
 - **Multiple Fixture:** Both the target fixture and main fixture are from the same product line (e.g., 2 Ovation Rêve F-3 IP fixtures).
 - **Other Fixture Type:** The target fixture and main fixture are from different product series (e.g., a Ovation Rêve F-3 IP as the target fixture and a Maverick Silens 2 Profile as the main fixture).
6. Select the file that needs to be uploaded. The message “**Are you sure?**” will appear on the screen. Press **<ENTER>**. Turn on the target fixture within 1–2 seconds of pressing **<ENTER>**. The display on the target fixture should remain off.
 - a. The main fixture will show the update progress (0–100%).
 - b. The target fixture’s display will turn on, and a notification “**<UPDATE>**” will appear on the screen.



The timing of when the target fixture’s display will turn on varies from fixture to fixture.

7. DO NOT turn off power or remove the USB flash drive. Once the software is done uploading, the target fixture will automatically reboot.
8. Go to the target fixture’s main menu and confirm that the firmware version has been updated.
9. Reboot the target fixture.

Setup

Mounting

Before mounting the product, read and follow the safety recommendations indicated in the [Safety Notes](#).

Orientation

Always mount this product in a safe position, making sure there is adequate room for ventilation, configuration, and maintenance.

Rigging

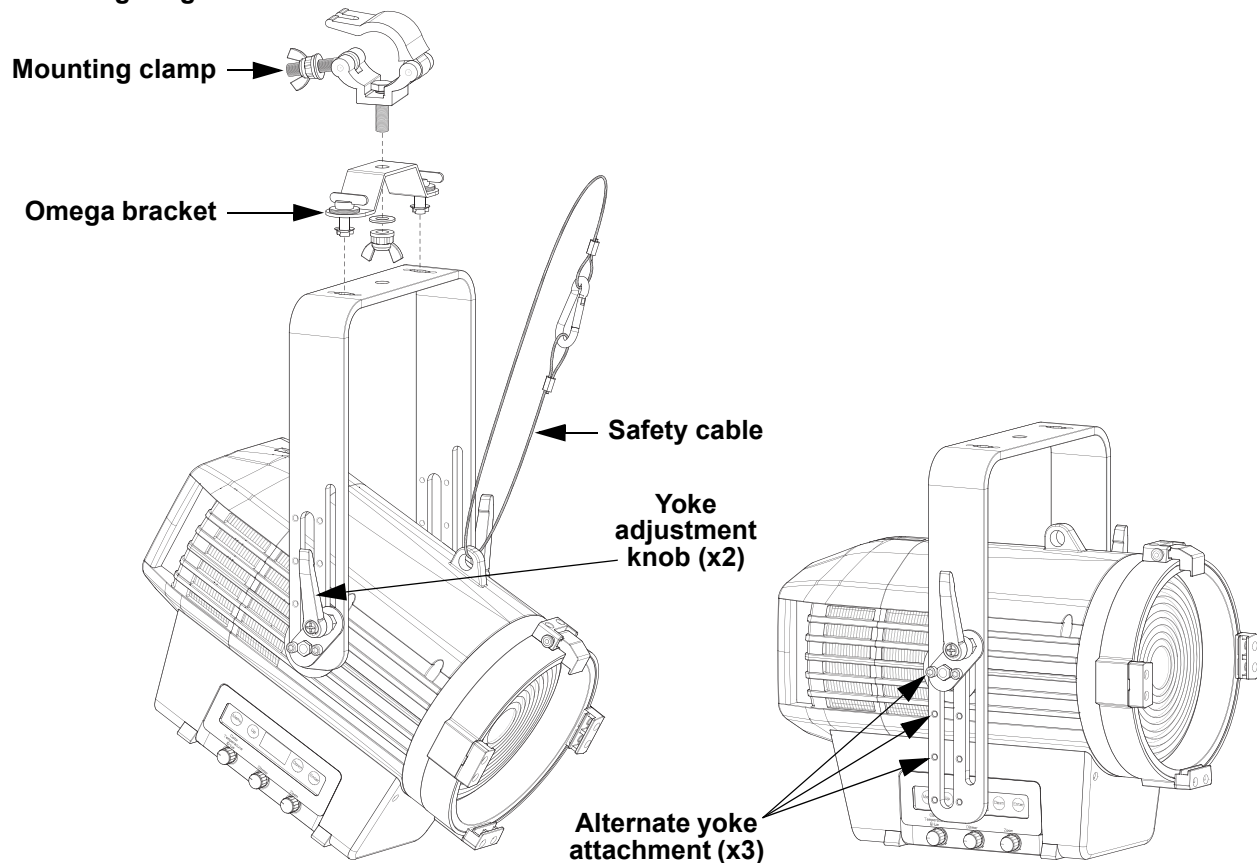
Chauvet recommends using the following general guidelines when mounting this product.

- Before deciding on a location for the product, make sure there is easy access to the product for maintenance and programming purposes.
- Make sure that the structure and attachment points can support the weight before hanging the product. See the [Technical Specifications](#) for weight information.
- When mounting the product overhead, always use a safety cable. Mount the product securely to a rigging point, whether an elevated platform or a truss.
- When rigging the product onto a truss, use a mounting clamp of appropriate weight capacity.

Procedure

The Ovation Rêve F-3 IP comes with an Omega bracket. The user can directly attach a mounting clamp to this Omega bracket. Make sure the clamp is capable of supporting the weight of this product. For the Chauvet Professional line of mounting clamps, go to <http://www.trusst.com/products>.

Mounting Diagram



Adjustable Yoke

The Ovation Rêve F-3 IP comes with an adjustable yoke for mounting in low-clearance areas. To modify the height of the yoke, do the following:

1. Loosen the yoke adjustment knobs.
2. On each side of the product remove the 2 bolts attaching the plate to the yoke.
3. Adjust the position of the yoke to one of the 4 mounting points.
4. Put the bolts back in place, and tighten them and the yoke adjustment knobs.

4. Operation

Control Panel Description

Button/Knob	Function
<Menu>	Exits from the current menu or function
<Enter>	Enables the currently displayed menu or sets the selected value into the selected function
<Up>	Navigates upwards through the menu list or increases the numeric value when in a function
<Down>	Navigates downwards through the menu list or decreases the value when in a function
<Color Temperature & Hue>	Push twice, then turn to select the color temperature Push again, then turn to select the hue
<Dimmer>	Push twice, then turn to increase or decrease the dimmer
<Zoom>	Push twice, then turn to increase or decrease the zoom
<Focus Mode>	Sets fixture into Focus Mode, which takes the unit to full power for easy focusing without changing any other fixture settings. Press again to release from Focus Mode.

Programming

Refer to the menu map to understand the menu options. The menu map shows the main menu and a variable number of programming levels for each option.

- To access the main menu, press **<Menu>**.
- To navigate to the desired option in the main menu, press **<Menu>** repeatedly until the option is indicated, or use **<Up>** or **<Down>** to navigate directly.
- Press **<Enter>** to select the indicated option.
- Use **<Up>** or **<Down>** to navigate within a programming level until the desired option is indicated.
- To return to the main menu, press **<Menu>** repeatedly until it shows on the display.
- Press and hold **<Menu>** to return to the home screen.

Passcode

When prompted, enter the following passcode: **<UP>**, **<DOWN>**, **<UP>**, **<DOWN>**, **<ENTER>**.
It is not possible to change this passcode.

Menu Map

Refer to the Ovation Rêve F-3 IP product page on www.chauvetprofessional.com for the latest menu map.

Main Menu	Programming Levels		Description
DMX Address	Address	<001–512*>	Selects DMX address (*Highest channel restricted to personality chosen)
DMX Channel	1 Ch	Virtual Color Wheel	1-channel: dimmer
		Color Temperature	
		Manual Color Mixer	
	5 Ch		5-channel: dimmer, virtual color wheel, color temperature, hue, zoom
	6 Ch		6-channel: RGBAM, zoom
	8 Ch		7-channel: dimmer, RGBAM, strobe, zoom
	12 Ch		12-channel: 16-bit dimmer, RGBAM, strobe, virtual color wheel, color temperature, hue, zoom
	14 Ch1		14-channel: dimmer, RGBAM, strobe, virtual color wheel, color temperature, hue, auto program, auto speed, control, zoom
	14 Ch2		14-channel: 16-bit dimmer, 16-bit RGBAM, strobe, zoom
18 Ch		18-channel: 16-bit dimmer, 16-bit RGBAM, strobe, virtual color wheel, color temperature, hue, control, zoom	
HSV		4-channel: hue, saturation, value, zoom	

Main Menu	Programming Levels		Description		
Static	Virtual Color Wheel	C3050–Md Yellow	Dimmer 0–255	Virtual Color Wheel simulates the output of each gel color. Refer to the Virtual Color Wheel Chart for specific values.	
		C3040–Lt Yellow			
		C3240–Amb Yellow			
		C2340–VLt Amber			
		C2040–Lt Amber			
		C2050–Md Amber			
		C2060–Dk Amber			
		C1050–Lt Red			
		C1080–Md Red			
		C1020–NC Pink			
		C1030–Md Pink			
		C1630–Dk Pink			
		C1250–Md Red Amber			
		C1060–Dk Red Amber			
		C1650–Magenta			
		C6170–Dk Magenta			
		C6020–Lt Lavender			
		C5030–Lt Blue			
		C5020–VLt Blue			
		C5430–Lt Blue 2			
		C5070–Blue			
		C5050–Md Blue			
		C5060–Dk Blue			
		C5690–Indigo			
		C5080–VDk Blue			
		C5081–VDk Blue 2			
	C4370–Yel Green				
	C4070–Green				
	C4550–Turquoise				
	C4560–Aqua				
	C4570–Blue Green				
	Color Temperature	2800K	Dimmer 0–255 Hue -25–25		Preset white color temperatures. Emulates a tungsten lamp at the specified color temperature. Refer to the Color Temperature Chart for specific values.
		2900K			
		3000K			
3100K					
3200K					
3300K					
3400K					
3500K					
3600K					
3700K					
3800K					
3900K					
4000K					
4100K					
4200K					
4300K					
4400K					
4500K					

Main Menu	Programming Levels		Description	
Static (cont.)	Color Temperature (cont.)	4600K	Dimmer 0–255 Hue -25–25	Preset white color temperatures. Emulates a tungsten lamp at the specified color temperature. Refer to the Color Temperature Chart for specific values.
		4700K		
		4800K		
		4900K		
		5000K		
		5100K		
		5200K		
		5300K		
		5400K		
		5500K		
		5600K		
		5700K		
		6000K		
		6500K		
		7000K		
7500K				
8000K				
	Manual Color Mixer	Red	0–255	Combines red, green, blue, amber, and mint to make a custom color (0–100%)
		Green		
		Blue		
		Amber		
		Mint		
	Color X- Fade Speed	Off		Turns off the fade transition between colors
		X-Fade Speed 1		Creates fade transition between colors when using colors in the Virtual Color Wheel or Color Temperature chart, from fast (X-Fade Speed 1) to slow (X-Fade Speed 4)
		X-Fade Speed 2		
		X-Fade Speed 3		
		X-Fade Speed 4		
Auto Show	Auto 1–5	Speed 1–100		Selects automatic programs and speed
Zoom	Zoom	<000–255>		Sets the zoom level
	Dmx Zoom Disable	Off		Enable zoom in DMX mode
		On		Disable zoom in DMX mode
	Reset Zoom w/ Power	No		
Yes				
Red Shift	On			Enables or disables red shift
	Off			
Master/ Slave	Master			Standalone mode
	Slave			Slave mode
Dimmer Curve	S Curve			Sets the dimmer curve
	Linear			
	Square			
	Inverse Square			
Dimmer Mode	Off			Instantaneous dimmer
	Dimmer 1–3			Dimmer mode, fast (1) to slow (3)

Main Menu	Programming Levels		Description	
Color Calibration	Off		Color calibration off	
	User Calibration	Red	<125–255>	Sets maximum red LED value
		Green		Sets maximum green LED value
		Blue		Sets maximum blue LED value
		Amber		Sets maximum amber LED value
		Mint		Sets maximum mint LED value
Factory Calibration		Color calibration set by factory		
LED Frequency	750Hz		Sets the Pulse Width Modulation frequency	
	1200Hz			
	2000Hz			
	4000Hz			
	6000Hz			
	25KHz			
Fan Mode	Auto		Sets the fan to auto mode	
	On		Sets the fan to always on	
	Off		Sets the fan to always off	
	Silent		Sets the fan to silent	
Back Light	10S		Turns off display backlight after 10 seconds of inactivity	
	30S		Turns off display backlight after 30 seconds	
	2Min		Turns off display backlight after 2 minutes of	
	Always On		Display backlight always on	
Key Lock	On		Locks the display. Passcode: <UP>, <DOWN>, <UP>, <DOWN>, <ENTER>	
	Off			
Information	Fixture Hours	<_ _ _ _ _H>	Shows total hours the product has been powered on	
	LED Hours	<_ _ _ _ _H>	Shows total hours the LEDs have been powered on	
	DISP1	<V_._._>	Shows current display version	
	DISP2	<V_._._>	Shows current driver version	
	UID	21A40_ _ _ _ _	Shows product UID	
Upgrade Firmware	Only This Fixture	_ _ _ _ _ .CHL	Selects an update file for this product, or shows “No such file!”	
		...		
	Multiple Fixture	_ _ _ _ _ .CHL	Selects an update file for this and connected Ovation Rêve F-3 IP products, or shows “No such file!”	
		...		
Other Fixture Type	_ _ _ _ _ .CHL	Selects an update file for other connected products, or shows “No such file!”		
	...			
Fixture to Fixture		Are you sure?	Uploads current firmware to connected products	
Factory Reset	No		Resets the product to factory default settings	
	Yes			



When operating in Fan Mode: Off and Fan Mode: Silent, the product will become hotter to the touch than when using other fan modes. Use proper protective equipment to prevent burns. Keep a safe distance from flammable objects.



- The “Other Fixture Type” option under Upgrade Firmware can only be selected for connected products compatible with the Upload 03 (the first 2 digits of the item code must be 03).
- The “Fixture to Fixture” option under Upgrade Firmware can only be selected for connected Ovation Rêve F-3 IP products.

DMX Configuration

Use control configurations to operate the product with a DMX controller.

DMX Personalities

To set the DMX personality:

1. Go to the **DMX Channel** main level.
2. Select the desired personality, from **1 Ch**, **5 Ch**, **6 Ch**, **8 Ch**, **12 Ch**, **14 Ch1**, **14 Ch2**, **18 Ch**, or **HSV**.



- See the [Starting Address](#) section for the highest selectable starting address for each personality.
- Make sure that the starting addresses on the various products do not overlap due to the new personality setting.

Starting Address

Each product will respond to a unique starting address from the controller. All products with the same starting address will respond in unison. To set the starting address in DMX mode:

1. Go to the **DMX Address** main level.
2. Select the starting address (**001–512**).

Personality	Highest Address	Products per Universe
1 Ch	512	512
5 Ch	508	102
6 Ch	507	85
8 Ch	505	64
12 Ch	501	42
14 Ch1, 14 Ch2	499	36
18 Ch	495	28
HSV	509	128

Virtual Color Wheel

The Ovation Rêve F-3 IP includes a feature called the Virtual Color Wheel (VCW). This feature is available as a standalone control mode for manual use and as a control channel in select DMX personalities. More than 30 premixed colors, custom blended by Chauvet engineers, are available to call up for easier programming.

The DMX values used to mix these colors are provided below. The overall intensity of the Ovation fixture can be adjusted to more closely replicate familiar industry-standard colors. A chart is available at www.chauvetprofessional.com to compare Chauvet's premixed colors with popular gel colors. This chart is for comparison purposes only and is not an assertion that Chauvet's premixed colors match any of the gel colors listed.

Virtual Color Wheel Chart

DMX Value	Display Readout	Red	Green	Blue	Amber	Mint
000 ⇔ 005	--	--	--	--	--	--
006 ⇔ 013	C3050–Md Yellow	255	225	000	255	037
014 ⇔ 021	C3040–Lt Yellow	255	177	003	255	037
022 ⇔ 028	C3240–Amb Yellow	255	220	000	255	000
029 ⇔ 035	C2340–VLt Amber	195	000	015	255	057
036 ⇔ 043	C2040–Lt Amber	255	000	011	255	061
044 ⇔ 051	C2050–Md Amber	255	053	000	255	017
052 ⇔ 059	C2060–Dk Amber	255	008	000	255	017
060 ⇔ 067	C1050–Lt Red	255	000	003	014	000
068 ⇔ 075	C1080–Md Red	255	000	001	011	000
076 ⇔ 083	C1020–NC Pink	255	075	062	255	073
084 ⇔ 091	C1030–Md Pink	255	075	057	255	041
092 ⇔ 099	C1630–Dk Pink	218	077	057	255	061
100 ⇔ 107	C1250–Md Red Amber	255	000	009	168	000
108 ⇔ 115	C1060–Dk Red Amber	255	005	009	036	000
116 ⇔ 121	C1650–Magenta	255	003	062	255	012
122 ⇔ 130	C6170–Dk Magenta	255	000	055	000	000
131 ⇔ 138	C6020–Lt Lavender	255	220	093	255	044
139 ⇔ 146	C5030–Lt Blue	000	255	159	112	078
147 ⇔ 154	C5020–VLt Blue	000	215	145	196	065
155 ⇔ 162	C5430–Lt Blue2	000	215	132	52	092
163 ⇔ 170	C5070–Blue	000	195	188	000	019
171 ⇔ 178	C5050–Md Blue	000	163	190	000	068
179 ⇔ 186	C5060–Dk Blue	000	128	193	000	038
187 ⇔ 194	C5690–Indigo	053	009	255	000	000
195 ⇔ 202	C5080–VDk Blue	007	084	116	000	000
203 ⇔ 210	C5081–VDk Blue2	011	082	139	000	000
211 ⇔ 218	C4370–Yel Green	000	255	002	025	000
219 ⇔ 226	C4070–Green	000	255	009	000	175
227 ⇔ 234	C4550–Turquoise	000	255	087	096	255
235 ⇔ 242	C4560–Aqua	000	255	098	044	255
243 ⇔ 250	C4570–Blue Green	000	255	026	008	000
251 ⇔ 255	--	--	--	--	--	--



The colors above are simulated renditions of the color output produced compared with other similar incandescent products. Chauvet makes no guarantee of the color output accuracy.

Color Temperature Chart

DMX Value	Temperature	R	G	B	A	M	DMX Value	Temperature	R	G	B	A	M
000 ⇔ 005	No function	--	--	--	--	--	125	4500K	167	216	145	255	207
006	2800K	255	007	032	255	207	126 ⇔ 131	4501–4599K					
007 ⇔ 012	2801–2899K						132	4600K	162	223	151	255	207
013	2900K	237	012	037	255	207	133 ⇔ 138	4601–4699K					
014 ⇔ 019	2901–2999K						139	4700K	161	235	158	255	207
020	3000K	231	029	044	255	207	140 ⇔ 145	4701–4799K					
021 ⇔ 026	3001–3099K						146	4800K	158	242	165	255	207
027	3100K	224	048	050	255	207	147 ⇔ 152	4801–4899K					
028 ⇔ 033	3101–3199K						153	4900K	155	250	171	255	207
034	3200K	219	064	057	255	207	154 ⇔ 159	4901–4999K					
035 ⇔ 040	3201–3299K						160	5000K	152	255	177	255	207
041	3300K	214	080	063	255	207	161 ⇔ 166	5001–5099K					
042 ⇔ 047	3301–3399K						167	5100K	145	255	183	255	207
048	3400K	209	095	070	255	207	168 ⇔ 173	5101–5199K					
049 ⇔ 054	3401–3499K						174	5200K	137	255	187	255	207
055	3500K	204	107	077	255	207	175 ⇔ 180	5201–5299K					
056 ⇔ 061	3501–3599K						181	5300K	132	255	191	255	207
062	3600K	199	121	083	255	207	182 ⇔ 187	5301–5399K					
063 ⇔ 068	3601–3699K						188	5400K	126	255	197	255	207
069	3700K	193	131	090	255	207	189 ⇔ 194	5401–5499K					
070 ⇔ 075	3701–3799K						195	5500K	122	255	202	255	207
076	3800K	188	141	097	255	207	196 ⇔ 201	5501–5599K					
077 ⇔ 082	3801–3899K						202	5600K	117	255	205	255	207
083	3900K	180	150	104	255	207	203 ⇔ 208	5601–5699K					
084 ⇔ 089	3901–3999K						209	5700K	116	255	209	249	207
090	4000K	175	160	111	255	207	210 ⇔ 215	5701–5999					
091 ⇔ 096	4001–4099K						216	6000K	106	255	221	245	207
097	4100K	175	171	118	255	207	217 ⇔ 222	6001–6499K					
098 ⇔ 103	4101–4199K						223	6500K	098	255	238	231	207
104	4200K	174	186	125	255	207	224 ⇔ 229	6501–6999K					
105 ⇔ 110	4201–4299K						230	7000K	094	255	253	218	207
111	4300K	174	199	132	255	207	231 ⇔ 236	7001–7499K					
112 ⇔ 117	4301–4399K						237	7500K	081	255	255	205	193
118	4400K	170	209	139	255	207	238 ⇔ 243	7501–7999K					
119 ⇔ 124	4401–4499K						244 ⇔ 255	8000K	077	255	255	188	181



The color temperatures above are simulated renditions of the color output produced compared with a tungsten lamp at the specified color temperature. Chauvet makes no guarantee of the color output accuracy.

Operation

DMX Channel Assignments and Values

Control Chart

Value	Percent/Setting	Value	Percent/Setting
000 ⇔ 007	No function	128 ⇔ 135	X-Fade speed off
008 ⇔ 015	Reset dimmer	136 ⇔ 143	X-Fade speed 1
016 ⇔ 023	Red shift on	144 ⇔ 151	X-Fade speed 2
024 ⇔ 031	Red shift off	152 ⇔ 159	X-Fade speed 3
032 ⇔ 039	S-curve dimmer	160 ⇔ 167	X-Fade speed 4
040 ⇔ 047	Linear dimmer	168 ⇔ 172	PWM frequency 750 Hz (hold for 3 seconds)
048 ⇔ 055	Square dimmer	173 ⇔ 177	PWM frequency 1200 Hz (hold for 3 seconds)
056 ⇔ 063	Inverse square dimmer	178 ⇔ 182	PWM frequency 2000 Hz (hold for 3 seconds)
064 ⇔ 071	Dimmer mode off	183 ⇔ 187	PWM frequency 4000 Hz (hold for 3 seconds)
072 ⇔ 079	Dimmer mode 1 (fast)	188 ⇔ 192	PWM frequency 6000 Hz (hold for 3 seconds)
080 ⇔ 087	Dimmer mode 2	193 ⇔ 197	PWM frequency 25000 Hz (hold for 3 seconds)
088 ⇔ 095	Dimmer mode 3 (slow)	198 ⇔ 200	Reserved for future use
096 ⇔ 103	Fan mode auto	201 ⇔ 220	Zoom reset
104 ⇔ 111	Fan mode on	221 ⇔ 225	Enable zoom via DMX (hold for 3 seconds)
112 ⇔ 119	Fan mode off	226 ⇔ 230	Disable zoom via DMX (hold for 3 seconds)
120 ⇔ 127	Fan mode silent	231 ⇔ 255	No function

18 Ch / 14 Ch2 / 14 Ch1 / 12 Ch / 8 Ch / 6 Ch / 5 Ch

5	6	8	12	14-1	14-2	18	Function	Value	Percent/Setting
1	-	1	1	1	1	1	Dimmer	000 ⇔ 255	0–100%
-	-	-	2	-	2	2	Fine dimmer	000 ⇔ 255	0–100%
-	1	2	3	2	3	3	Red	000 ⇔ 255	0–100%
-	-	-	-	-	4	4	Fine red	000 ⇔ 255	0–100%
-	2	3	4	3	5	5	Green	000 ⇔ 255	0–100%
-	-	-	-	-	6	6	Fine green	000 ⇔ 255	0–100%
-	3	4	5	4	7	7	Blue	000 ⇔ 255	0–100%
-	-	-	-	-	8	8	Fine blue	000 ⇔ 255	0–100%
-	4	5	6	5	9	9	Amber	000 ⇔ 255	0–100%
-	-	-	-	-	10	10	Fine amber	000 ⇔ 255	0–100%
-	5	6	7	6	11	11	Mint	000 ⇔ 255	0–100%
-	-	-	-	-	12	12	Fine mint	000 ⇔ 255	0–100%
-	-	7	8	7	13	13	Strobe	000 ⇔ 010 011 ⇔ 255	No function Strobe, slow to fast
2	-	-	9	8	-	14	Virtual Color Wheel	000 ⇔ 255	See the Virtual Color Wheel Chart
3	-	-	10	9	-	15	Color temperature	000 ⇔ 255	See the Color Temperature Chart
4	-	-	11	10	-	16	Hue	000 001 ⇔ 255	0 -25–25
-	-	-	-	11	-	-	Automatic program	000 ⇔ 010 011 ⇔ 060 061 ⇔ 110 111 ⇔ 160 161 ⇔ 210 211 ⇔ 255	No function Automatic program 1 Automatic program 2 Automatic program 3 Automatic program 4 Automatic program 5
-	-	-	-	12	-	-	Automatic speed	000 ⇔ 255	Program speed, slow to fast
-	-	-	-	13	-	17	Control	000 ⇔ 255	See the Control Chart
5	6	8	12	14	14	18	Zoom	000 ⇔ 255	Wide to narrow

HSV

Channel	Function	Value	Percent/Setting
1	Hue	000 ⇄ 255	0–100%
2	Saturation	000 ⇄ 255	0–100%
3	Value	000 ⇄ 255	0–100%
4	Zoom	000 ⇄ 255	Wide to narrow

1Ch

Channel	Function	Value	Percent/Setting
1	Dimmer	000 ⇄ 255	0–100% (color set through display menu)

Standalone Configuration

Static Mode

The static mode options under **Virtual Color Wheel** also include preset color temperatures and a manual color mixer.

Virtual Color Wheel

To select from the Virtual Color Wheel:

1. Go to the **Virtual Color Wheel** main level.
2. Select the **Virtual Color Wheel** option.
3. Select the desired virtual gel color (see the [Virtual Color Wheel Chart](#)).
4. Set the **Dimmer** value (**0–255**).

Color Temperature

To select a preset color temperature via the menu map:

1. Go to the **Virtual Color Wheel** main level.
2. Select the **Color Temperature** option.
3. Select the desired color temperature (see the [Color Temperature Chart](#)).
4. Set the **Dimmer** value (**0–255**).
5. If desired, set the **Hue** value (**-25–25**).

To select a preset color temperature via the control knobs:

1. Press the **<Color Temperature & Hue>** knob twice.
2. Turn the **<Color Temperature & Hue>** knob to select a color temperature.
3. Press the **<Color Temperature & Hue>** knob once.
4. If desired, turn the **<Color Temperature & Hue>** knob to set the **Hue** value (**-25–25**).

Manual Color Mixer

To manually mix a custom static color:

1. Go to the **Virtual Color Wheel** main level.
2. Select **Manual Color Mixer**.
3. Select the color to edit (**Red, Green, Blue, Amber, or Mint**).
4. Set the value for the selected color (**0–255**).
5. Repeat steps 3 and 4 until product outputs as desired.

Color X-Fade Speed

To select the Virtual Color Wheel cross-fade speed:

1. Go to the **Virtual Color Wheel** main level.
2. Select **Color X-Fade Speed**.
3. Select the speed, from **Off** (snap), **X-Fade Speed 1** (fastest), **X-Fade Speed 2**, **X-Fade Speed 3**, or **X-Fade Speed 4** (slowest).

Standalone Dimmer

To set the dimmer value via the control knobs:

1. Press the **<Dimmer>** knob twice.
2. Turn the **<Color Temperature & Hue>** knob to set the **Dimmer** value (**0–255**).

Operation

Auto Show

To select an automatic program:

1. Go to the **Auto Show** main level.
2. Select the desired auto program (**Auto 1–5**).
3. Set the **Speed** value (**1–100**).

Zoom

To set the zoom level via the menu map:

1. Go to the **Zoom** main level.
2. Select the **Zoom** option.
3. Set the **Zoom** value (**000–255**).

To set the zoom level via the control knobs:

1. Press the **<Zoom>** knob twice.
2. Turn the **<Zoom>** knob to set the **Zoom** level (**0–100%**).

Settings Configuration

DMX Zoom Disable

To enable or disable zoom control via DMX:

1. Go to the **Zoom** main level.
2. Select the **Dmx Zoom Disable** option.
3. Select from **Off** (enable) or **On** (disable).

Reset Zoom with Power

To set whether the zoom motor will reset when powering on the product:

1. Go to the **Zoom** main level.
2. Select the **Reset Zoom w/Power** option.
3. Select from **No** or **Yes**.

Red Shift

With red shift enabled, the color temperature will warm as the dimmer decreases in imitation of a lamp. To enable or disable the red shift function:

1. Go to the **Red Shift** main level.
2. Select from **On** or **Off**.

Master/Slave

To set the Ovation Rêve F-3 IP product to master or slave mode:

1. Go to the **Master/Slave** main level.
2. Select from **Master** (sends control signal) or **Slave** (receives control signal).



- **Configure all the slave products before connecting the master to the daisy chain.**
- **Never connect a DMX controller to a DMX string configured for Master/Slave operation because the controller may interfere with the signals from the master.**
- **Do not connect more than 31 slaves to the master.**

Dimmer Curve

To set the dimmer curve:

1. Go to the **Dimmer Curve** main level.
2. Select from **S Curve**, **Linear**, **Square**, or **Inverse Square**.

Dimmer Speed Mode

To set the dimmer speed:

1. Go to the **Dimmer Mode** main level.
2. Select the dimmer speed mode from **Off** (instant), **Dimmer 1** (fastest), **Dimmer 2**, or **Dimmer 3** (slowest).

Color Calibration

To configure the color calibration:

1. Go to the **Color Calibration** main level.
2. Select from **Off**, **User Calibration**, or **Factory Calibration**.
3. If **User Calibration**, select the maximum color value to edit, from **Red**, **Green**, **Blue**, **Amber**, or **Mint**.
4. Set the maximum level for the selected color, from **125–255**.
5. Repeat steps 3–4 until the colors are calibrated as desired.

Pulse Width Modulation

To set the frequency of the pulse width modulation:

1. Go to the **LED Frequency** main level.
2. Select the PWM frequency, from **750Hz**, **1200Hz**, **2000Hz**, **4000Hz**, **6000Hz**, or **25KHz**.

Fan Mode

To set the fan mode:

1. Go to the **Fan Mode** main level.
2. Select the fan mode, from **Auto** (adjusts to product temperature), **On** (always on), **Off** (always off), or **Silent** (silent mode).



When operating in Fan Mode: Off and Fan Mode: Silent, the product will become hotter to the touch than when using other fan modes. Use proper protective equipment to prevent burns. Keep a safe distance from flammable objects.

Display Backlight

To set how long the display will stay lit without activity:

1. Go to the **Back Light** main level.
2. Select from **10S** (10 seconds), **30S** (30 seconds), **2Min** (2 minutes), or **Always On**.

Key Lock

To enable or disable the passcode lock on the display:

1. Go to the **Key Lock** main level.
2. Select from **On** or **Off**.

Information

To view product information, such as the number of hours the product has been on, the driver firmware, etc., go to the **Information** main level.

Factory Reset

To reset the product to factory default settings:

1. Go to the **Factory Reset** main level.
2. Select **No** (do not reset) or **Yes** (reset).

5. Maintenance

Product Maintenance

Dust build-up reduces light output performance and can cause overheating. This can lead to reduction of the light source's life and/or mechanical wear. To maintain optimum performance and minimize wear, clean each lighting product at least twice a month. However, be aware that usage and environmental conditions could be contributing factors to increase the cleaning frequency.

To clean the product, follow the instructions below:

1. Unplug the product from power.
2. Wait until the product is at room temperature.
3. Use a vacuum (or dry compressed air) and a soft brush to remove dust collected on the external surface/vents.
4. Clean all transparent surfaces with a mild soap solution, ammonia-free glass cleaner, or isopropyl alcohol.
5. Apply the solution directly to a soft, lint free cotton cloth or a lens cleaning tissue.
6. Softly drag any dirt or grime to the outside of the transparent surface.
7. Gently polish the transparent surfaces until they are free of haze and lint.



Always dry the transparent surfaces carefully after cleaning them.

6. Technical Specifications

Dimensions and Weight

Length	Width	Height	Weight
16.02 in (406.9 mm)	13.47 in (342 mm)	20 in (508 mm)	30.4 lb (13.8 kg)

Note: Dimensions in inches are rounded.

Power

Power Supply Type	Range	Voltage Selection
Switching (internal)	100 to 240 VAC, 50/60 Hz	Auto-ranging

Parameter	100 V, 60 Hz	120 V, 60 Hz	208 V, 60 Hz	230 V, 50 Hz	240 V, 50 Hz
Consumption	540 W	532 W	519 W	526 W	529 W
Operating Current	5.35 A	4.46 A	2.56 A	2.42 A	2.19 A
Power Linking Current	12 A	12 A	12 A	12 A	12 A

Power I/O	U.S./Worldwide	UK/Europe
Power Input Connector	Seetronic Powerkon IP65	Seetronic Powerkon IP65
Power Output Connector	Seetronic Powerkon IP65	Seetronic Powerkon IP65
Power Cable plug	Edison	Local plug

Light Source

Type	Color	Quantity	Power	Current	Lifespan
LED	Red	22	5.8 to 7.5 W	1.95 A	50,000 hours
	Green	14			
	Blue	16			
	Royal blue	6			
	Amber	28			
	Mint	40			

Photometrics

Color Temperature Range	Color Temperature at Full
2800 to 8000 K	5864 K

Beam Angle	Field Angle	Cutoff Angle	Zoom Range
10.6° to 68.2°	18.3° to 90.4°	25.3° to 99.5°	10.6° to 99.5°

Illuminance @ 5 m (Narrow)	Illuminance @ 5 m (Wide)	Illuminance @ 5 m (50%)
4,869 lux	482 lux	1,587 lux

Thermal

Maximum External Temperature	Cooling System
113 °F (45 °C)	Fan-assisted Convection

Control

DMX I/O Connector	Channel Range
5-pin XLR	1, 5, 6, 8, 12, 14, 18, or 3 (HSV)

Ordering

Product Name	Item Name	Item Code	UPC Number
Ovation Rêve F-3 IP	OVATIONREVEF3IP	03032177	781462225254



Contact Us

General Information	Technical Support
Chauvet World Headquarters	
Address: 3360 Davie Rd., Suite 509 Davie, FL 33314 Voice: (954) 577-4455 Fax: (954) 929-5560 Toll Free: (800) 762-1084	Voice: (844) 393-7575 Fax: (954) 756-8015 Email: chauvetcs@chauvetlighting.com Website: www.chauvetprofessional.com
Chauvet U.K.	
Address: Pod 1 EVO Park Little Oak Drive, Sherwood Park Nottinghamshire, NG15 0EB UK Voice: +44 (0) 1773 511115 Fax: +44 (0) 1773 511110	Email: UKtech@chauvetlighting.eu Website: www.chauvetprofessional.eu
Chauvet Benelux	
Address: Stokstraat 18 9770 Kruishoutem Belgium Voice: +32 9 388 93 97	Email: BNLtech@chauvetlighting.eu Website: www.chauvetprofessional.eu
Chauvet France	
Address: 3, Rue Ampère 91380 Chilly-Mazarin France Voice: +33 1 78 85 33 59	Email: FRtech@chauvetlighting.fr Website: www.chauvetprofessional.eu
Chauvet Germany	
Address: Bruno-Bürgel-Str. 11 28759 Bremen Germany Voice: +49 421 62 60 20	Email: DEtech@chauvetlighting.de Website: www.chauvetprofessional.eu
Chauvet Mexico	
Address: Av. de las Partidas 34 - 3B (Entrance by Calle 2) Zona Industrial Lerma Lerma, Edo. de México, CP 52000 Voice: +52 (728) 690-2010	Email: servicio@chauvet.com.mx Website: www.chauvetprofessional.mx

Warranty & Returns

For warranty terms and conditions and return information, please visit our website.

For customers in the United States and Mexico: www.chauvetlighting.com/warranty-registration.

For customers in the United Kingdom, Republic of Ireland, Belgium, the Netherlands, Luxembourg, France, and Germany: www.chauvetlighting.eu/warranty-registration.