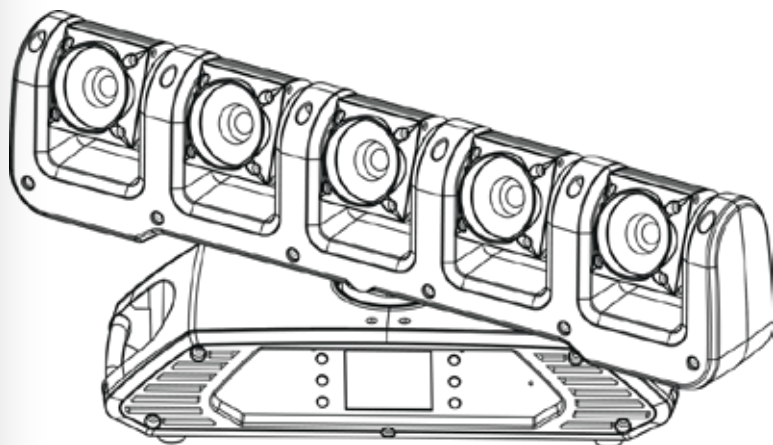


ROGUE



Quick Reference Guide

English	EN
Español	ES
Français	FR
Nederlands	NL



CHAUVET
PROFESSIONAL

About This Guide

The Rogue R1 FX-B Quick Reference Guide (QRG) has basic product information such as connection, mounting, menu options, and DMX values. Download the User Manual from www.chauvetprofessional.com for more details.

Disclaimer

The information and specifications contained in this QRG are subject to change without notice.

Safety Notes

- DO NOT open this product. It contains no user-serviceable parts.
- DO NOT look at the light source when the product is on.
- To eliminate unnecessary wear and improve its lifespan, during periods of non-use completely disconnect the product from power via breaker or by unplugging it.
- CAUTION: When transferring product from extreme temperature environments, (e.g., cold truck to warm humid ballroom) condensation may form on the internal electronics of the product. To avoid causing a failure, allow product to fully acclimate to the surrounding environment before connecting it to power.
- CAUTION: This product's housing may be hot when lights are operating.
- Mount this product in a location with adequate ventilation, at least 20 in (50 cm) from adjacent surfaces.
- DO NOT leave any flammable material within 50 cm of this product while operating or connected to power.
- USE a safety cable when mounting this product overhead.
- DO NOT operate this product outdoors or in any location where dust, excessive heat, water, or humidity may affect it. (IP20)
- DO NOT operate this product if the housing, lenses, or cables appear damaged.
- DO NOT connect this product to a dimmer or rheostat.
- ONLY connect this product to a grounded and protected circuit.
- ONLY use the mounting brackets or the handles to carry this product. Do not carry by the moving head.
- In the event of a serious operating problem, stop using immediately.
- The maximum ambient temperature is 113 °F (45 °C). Do not operate this product at higher temperatures.

Contact

Outside the U.S., United Kingdom, Ireland, Mexico, or Benelux, contact your distributor to request support or return a product. From inside the U.S., UK, Ireland, Mexico, or Benelux, use the information in [Contact Us](#) at the end of this QRG.

What Is Included

- Rogue R1 FX-B
- Neutrik® powerCON® power cord
- 2 Omega brackets with mounting hardware
- Warranty Card
- Quick Reference Guide

AC Power

This product has an auto-ranging power supply that can work with an input voltage range of 100–240 VAC, 50/60 Hz.



To eliminate unnecessary wear and improve its lifespan, during periods of non-use completely disconnect the product from power via breaker or by unplugging it.

Power Linking You can link up to 8 Rogue R1 FX-B products at 120 V, 14 products at 208 V, or 15 products at 230 V. Never exceed this number. Power linking cords can be purchased separately.

AC Plug	Connection	Wire (U.S.)	Wire (Europe)	Screw Color
	AC Live	Black	Brown	Yellow/Brass
	AC Neutral	White	Blue	Silver
	AC Ground	Green/Yellow	Green/Yellow	Green

- Replacing The Fuse**
1. Disconnect this product from power.
 2. Using a flat-head screwdriver, unscrew the fuse holder cap from the housing.
 3. Remove blown fuse and replace with a good fuse of the same type and rating.
 4. Screw the fuse holder cap back in place and reconnect power.

Signal Connections You can link the Rogue R1 FX-B to a controller or controller software using a DMX connection, an Ethernet connection, or both. If using other Art-Net™, sACN, or Kling-Net -compatible products with the Rogue R1 FX-B, you can control each individually on a single network. See the User Manual for information about how to connect and configure the product for these signals.

Control Personalities The Rogue R1 FX-B uses DMX, Art-Net™, sACN, and Kling-Net for its control personalities:

Single Control	Dual Control Movement	Dual Control Pixel
Tour 2 (52-channel)		
Tour (47-channel)		
Advanced (47-channel)	Advanced (23-channel)	RGBW (20-channel)
Standard (25-channel)	Standard (17-channel)	RGB (15-channel)
Basic (18-channel)	Basic (10-channel)	Uses DMX, Art-Net, sACN, or Kling-Net
Uses DMX, Art-Net™, or sACN		

DMX Connection The Rogue R1 FX-B will work with a DMX controller using a 3- or 5-pin DMX data connection. A DMX Primer is available from www.chauvetprofessional.com.

Art-Net™ Connection Art-Net™ is an Ethernet protocol that uses TCP/IP which transfers a large amount of DMX512 data using an Neutrik® etherCON® RJ45 connection over a large network. An Art-Net™ protocol document is available from www.chauvetprofessional.com. Chauvet Professional recommends using unicast Art-Net™ for best results. Art-Net™ designed by and copyright Artistic Licence Holdings Ltd.

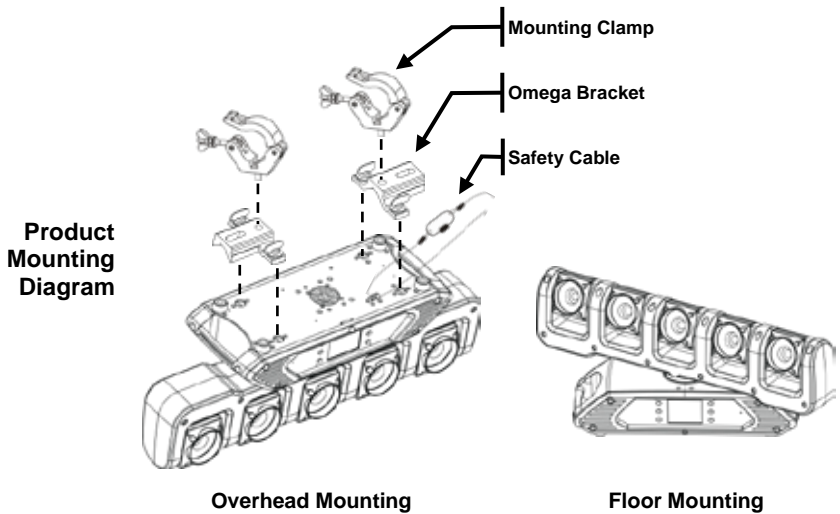
sACN Connection Also known as ANSI E1.31, Streaming-ACN is an Ethernet protocol that uses the layering and formatting of Architecture for Control Networks to transport DMX512 data over IP or any other ACN compatible network. ACN is maintained by the Professional Lighting and Sound Association (PLASA).

Kling-Net Connection Kling-Net is a network protocol that allows auto configuration of display devices using a Neutrik® etherCON® RJ45 Ethernet connection. Refer to the ArKaos software manual for detailed instructions on programming this product.



For smooth-running operation, ArKaos Kling-Net requires a gigabit (1000 Mbps) Ethernet card and network router.

Mounting Before mounting this product, read the [Safety Notes](#). Use at least two mounting points per product. Make sure the mounting clamps are capable of supporting the weight of the product. For our Chauvet line of mounting clamps, go to <http://trusst.com/products/>.

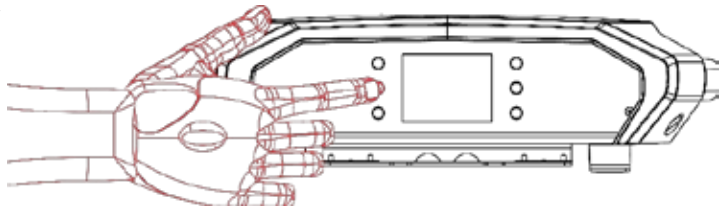


Touchscreen Control Panel The Rogue R1 FX-B has a touchscreen display as well as 6 control buttons. The touchscreen can be locked and calibrated through the **Setup** options in the menu.

Control Panel Description

Button	Function
	Navigates upwards through the menu list or increases the numeric value when in a function
	Exits from the current menu or function
	Navigates downwards through the menu list or decreases the numeric value when in a function
	Navigates leftwards through the menu list
	Enables the currently displayed menu or sets the currently selected value into the selected function
	Navigates rightwards through the menu list

Battery Powered Display Press and hold until menu screen appears (approx 15 sec.).



Menu Map

Programming Levels				Description		
Control Settings				Control Settings Main Level		
Single Control	DMX	Personality	Basic	Sets the DMX personality, from Basic (18CH), Standard (25CH), Advanced (47CH), Tour (47CH) or Tour 2 (52CH)		
			Standard			
			Advanced			
			Tour			
			Tour 2			
		Start Address	001–512	Sets the DMX starting address		
	ArtNet	Personality	Basic	Sets the Art-Net™ personality from Basic (18CH), Standard (25CH), Advanced (47CH), Tour (47CH) or Tour 2 (52CH)		
			Standard			
			Advanced			
			Tour			
			Tour 2			
		Start Address	001–512	Sets the Art-Net™ starting address		
		Universe	0–254	Sets the Art-Net™ universe		
	sACN	Personality	Basic	Sets the sACN personality, from Basic (18CH), Standard (25CH), Advanced (47CH), Tour (47CH) or Tour 2 (52CH)		
			Standard			
Advanced						
Tour						
Tour 2						
	Start Address	001–512	Sets the sACN starting address			
	Universe	0–255	Sets the sACN universe			
Control Settings	Movement	DMX	Personality	Basic	Sets the DMX personality, from Basic (10CH), Standard (17CH), or Advanced (23CH)	
			Standard			
			Advanced			
			Start Address	001–512	Sets the DMX starting address	
		ArtNet	Personality	Basic	Sets the Art-Net™ personality, from Basic (10CH), Standard (17CH), or Advanced (23CH)	
			Standard			
			Advanced			
			Start Address	001–512	Sets the Art-Net™ starting address	
			Universe	0–254	Sets the Art-Net™ universe	
		sACN	Personality	Basic	Sets the sACN personality, from Basic (10CH), Standard (17CH), or Advanced (23CH)	
			Standard			
			Advanced			
		Start Address	001–512	Sets the sACN starting address		
		Universe	0–255	Sets the sACN universe		
	Dual Control	Pixels	DMX	Personality	RGB	Sets the DMX personality, from RGB (15CH) or RGBW (20CH)
				RGBW		
				Start Address	001–512	Sets the DMX starting address
		ArtNet	Personality	RGB	Sets the Art-Net™ personality, from RGB (15CH) or RGBW (20CH)	
			RGBW			
			Start Address	001–512		Sets the Art-Net™ starting address
			Universe	0–254	Sets the Art-Net™ universe	
		sACN	Personality	RGB	Sets the sACN personality, from RGB (15CH) or RGBW (20CH)	
			RGBW			
			Start Address	001–512		Sets the sACN starting address
		Universe	0–255	Sets the sACN universe		
		KlingNet	Personality	RGB	Sets the Kling-Net personality, from RGB (15CH) or RGBW (20CH)	
	RGBW					

Note: In Dual Control mode, the Movement protocol and the Pixel protocol cannot be the same.

Menu Map (cont.)

		Programming Levels	Description	
Test Mode			Test Mode Main Level	
Test Mode		Auto test	Auto test all functions	
	Manual test	Pan	000-255	Manually control and test all settings through the control panel
		Pan Speed		
		Pan 360		
		Tilt 1		
		Tilt 2		
		Tilt 3		
		Tilt 4		
		Tilt 5		
		Tilt Speed		
		Tilt 1 360		
		Tilt 2 360		
		Tilt 3 360		
		Tilt 4 360		
		Tilt 5 360		
		Dimmer		
		Shutter		
		Red		
		Green		
		Blue		
White				
Color				
LED Macro				
LED Macro Speed				
Setup			Setup Main Level	
Setup	Network Settings	IP Mode	Manual	Manually set IP address
			DHCP	Network sets IP address
			Static	Product sets IP address
		IP	<i>xxx.xxx.xxx.xxx</i>	Set IP address in Manual mode
	SubMask	<i>xxx.xxx.xxx.xxx</i>	Set Subnet Mask in Manual mode	
	Pan Reverse	NO	Normal pan	
		YES	Reversed pan	
	Tilt Reverse	NO	Normal tilt	
		YES	Reversed tilt	
	Screen Reverse	NO	Normal display	
		YES	Inverted display	
		AUTO	Automatic display orientation	
	Pan Angle	540	540° pan range	
		360	360° pan range	
		180	180° pan range	
	Tilt Angle	540	540° tilt range	
		270	270° tilt range	
		180	180° tilt range	
	BL. O. P/T Move	NO	Do not black out while pan/tilt	
		YES	Blackout while pan/tilt	
Calibration	NO	Keep current settings		
	YES	Calibrate touchscreen		
Touchscreen Lock	NO	Display responds to touch		
	YES	Display does not respond to touch		
Lock Screen	NO	Lock the buttons and touch screen		
	YES	Passcode: 0920		

Menu Map (cont.)

		Programming Levels		Description
Setup (cont.)				Setup Main Level (cont.)
Setup (cont.)	Backlight Timer	30S		Display turns off after 30 seconds
		1M		Display turns off after 1 minute
		5M		Display turns off after 5 minutes
		ON		Display stays on
	Loss of Data	Hold		Holds last signal received
		Close		Blacks out fixture
	C Mixing Mode	RGBW		Additive color mixing (0–100%)
		CMY		Subtractive color mixing (100%–0)
	Dimmer Curve	Linear		Set the dimmer curve
		Square		
		1 Squa		
		SCurve		
	Dimmer Speed	Smooth		Change the dimmer speed
		Fast		
	PWM Option	600Hz		Selects the PWM output frequency
		1200Hz		
		2000Hz		
		4000Hz		
		6000Hz		
	Color Balance	Red	100–255	Sets red LED maximum value
Green		Sets green LED maximum value		
Blue		Sets blue LED maximum value		
White		Sets white LED maximum value		
PRESET A		Recorded preset menu options		
PRESET B				
PRESET C				
Preset Sync	NO		Allows recorded preset menu options to be transferred to other Rogue R1 FXBs in the DMX daisy chain	
	YES			
Reset Function	Pan	NO	Reset individual functions or all functions from start-up	
		YES		
	Tilt	NO		
		YES		
	All	NO		
		YES		
Factory Settings	NO		Reset to factory default settings	
	YES			
Sys Info				Sys Info Main Level
Sys Info	Fixture Information	Ver	VX	Shows firmware version
		Running Mode	Xxx	Shows current running mode
		DMX Address	xxx	Shows current starting address
		Temperature	xx	Shows current product temperature in °C
		Fixture Hours	xxxxx	Shows number of hours product has been powered on
		IP	xxx.xxx.xxx.xxx	Shows current IP address
		SubMask	xxx.xxx.xxx.xxx	Shows current Subnet Mask
		MAC	xx.xx.xx.xx.xx.xx	Shows current MAC address
Error Information	No Error!*		Shows any errors, or No Error!	

Menu Map (cont.)

		Programming Levels	Description
Sys Info (cont.)		Sys Info Main Level (cont.)	
Sys Info (cont.)	Channel Information	Frequency	xxx Shows all current values from input signals, 000–255
		Pan	
		Pan Fine	
		Pan 360	
		Tilt 1	
		Tilt 1 Fine	
		Tilt 2	
		Tilt 2 Fine	
		Tilt 3	
		Tilt 3 Fine	
		Tilt 4	
		Tilt 4 Fine	
		Tilt 5	
		Tilt 5 Fine	
		Tilt 1 360	
		Tilt 2 360	
		Tilt 3 360	
		Tilt 4 360	
		Tilt 5 360	
		Y Macro	
		Y Macro Speed	
		Function	
		Dimmer	
		Shutter	
		Color	
		Lamp Number	
		LED Macro	
		LED Ma. Speed	
		Red 1	
		Green 1	
		Blue 1	
		White 1	
		Red 2	
		Green 2	
		Blue 2	
		White 2	
		Red 3	
		Green 3	
		Blue 3	
		White 3	
Red 4			
Green 4			
Blue 4			
White 4			
Red 5			
Green 5			
Blue 5			
White 5			

Single Control Values

Tour 2 (52CH)	Channel	Function	Value	Percent/Setting
	1	Pan	000ó 255	0–100%
	2	Fine Pan	000ó 255	0–100%
	3	Continuous Pan	000 001ó 127 128 129ó 255	No function Counterclockwise rotation, slow to fast Stop Clockwise rotation, slow to fast
	4	Tilt Macro	000ó 047 048ó 055 056ó 063 064ó 071 072ó 079 080ó 087 088ó 095 096ó 103 104ó 111 112ó 119 120ó 127 128ó 135 136ó 143 144ó 151 152ó 159 160ó 167 168ó 175 176ó 183 184ó 191 192ó 199 200ó 207 208ó 215 216ó 223 224ó 231 232ó 239 240ó 247 248ó 255	No function Tilt macro 1 Tilt macro 2 Tilt macro 3 Tilt macro 4 Tilt macro 5 Tilt macro 6 Tilt macro 7 Tilt macro 8 Tilt macro 9 Tilt macro 10 Tilt macro 11 Tilt macro 12 Tilt macro 13 Tilt macro 14 Tilt macro 15 Tilt macro 16 Tilt macro 17 Tilt macro 18 Tilt macro 19 Tilt macro 20 Tilt macro 21 Tilt macro 22 Tilt macro 23 Tilt macro 24 Tilt macro 25 Tilt macro 26
	5	Tilt Macro Speed	000ó 255	Fast to slow
	6	Control	000ó 009 010ó 014 015ó 019 020ó 024 025ó 029 030ó 034 035ó 039 040ó 044 045ó 049 050ó 054 055ó 059 060ó 064	No function Manual tilt blackout Cancel manual tilt blackout 1 fixture macro 2 fixture macro 1 2 fixture macro 2 4 fixture macro 1 4 fixture macro 2 4 fixture macro 3 4 fixture macro 4 Pan reset Tilt reset

Tour 2	Channel	Function	Value	Percent/Setting	
(52CH cont.)	6	Control	065	069	No function (reserved for future use)
			070	074	Reset all
			075	079	No function (reserved for future use)
			080	084	Pan/Tilt reverse
			085	089	Pan reverse
			090	094	Tilt reverse
			095	099	Cancel pan reverse
			100	104	Cancel tilt reverse
			105	109	Cancel pan/tilt reverse
			110	114	No function (reserved for future use)
			115	119	Link all heads to head 1
			120	124	Unlink all heads from head 1
			125	129	No function (reserved for future use)
			130	134	No function (reserved for future use)
			135	139	Dimmer speed mode fast
140	144	Dimmer speed mode smooth			
145	255	No function			
7	Dimmer		000	255	0–100%
8	Shutter	000	019	Off	
		020	024	On	
		025	064	Strobe 1, fast to slow	
		065	069	On	
		070	084	Strobe 2 (Fast on, slow off) fast to slow	
		085	089	On	
		090	104	Strobe 3 (Slow on, fast off) fast to slow	
		105	109	On	
		110	124	Strobe 4 (Random) fast to slow	
		125	129	On	
		130	144	Strobe 5 (Random fast on, slow off) fast to slow	
		145	149	On	
		150	164	Strobe 6 (Random slow on, fast off) fast to slow	
		165	169	On	
		170	184	Strobe 7 (Pulse) fast to slow	
		185	189	On	
		190	204	Strobe 8 (Random pulse) fast to slow	
205	209	On			
210	224	Strobe 9 (Fade in, fade out) fast to slow			
225	229	On			
230	244	Strobe 10 (Random pulse) fast to slow			
245	255	On			
9	Color Macro	000	013	No function	
		014	020	Color 1	
		021	028	Color 2	
		029	036	Color 3	
		037	044	Color 4	
		045	052	Color 5	
		053	060	Color 6	
		061	068	Color 7	
		069	076	Color 8	
077	084	Color 9			

Tour 2	Channel	Function	Value	Percent/Setting				
(52CH cont.)	9	Color Macro	085ó 092	Color 10				
			093ó 100	Color 11				
			101ó 108	Color 12				
			109ó 116	Color 13				
			117ó 124	Color 14				
			125ó 133	Color 15				
			134ó 185	No function				
			186ó 207	Rainbow effect, fast to slow				
			208ó 213	Stop				
			214ó 235	Reverse Rainbow effect, fast to slow				
			236ó 240	No function				
			241ó 255	Color jump, fast to slow				
			10	On/Off Preset (● = on; ○ = off)			Head 1	Head 2
000ó 005	●	●			●	●	●	
006ó 011	○	●			●	●	●	
012ó 017	○	○			●	●	●	
018ó 023	○	○			○	●	●	
024ó 029	○	○			○	○	●	
030ó 035	○	○			○	○	○	
036ó 041	●	○			○	○	○	
042ó 047	●	●			○	○	○	
048ó 053	●	●			●	○	○	
054ó 059	●	●			●	●	○	
060ó 065	●	●			●	●	●	
066ó 071	○	○			○	○	○	
072ó 077	●	○			○	○	○	
078ó 083	○	●			○	○	○	
084ó 089	○	○			●	○	○	
090ó 095	○	○			○	●	○	
096ó 101	○	○			○	○	●	
102ó 107	○	○			○	○	○	
108ó 113	●	●			○	○	○	
114ó 119	○	●			●	○	○	
120ó 125	○	○			●	●	○	
126ó 131	○	○			○	●	●	
132ó 137	●	○			○	○	●	
138ó 143	○	○			○	○	○	
144ó 149	○	●			●	●	●	
150ó 155	●	○			○	●	●	
156ó 161	●	●			○	●	●	
162ó 167	●	●			●	○	●	
168ó 173	●	●			●	●	○	
174ó 179	○	○			○	○	○	
180ó 185	○	○			○	○	●	
186ó 191	○	○			○	●	●	
192ó 197	○	○	●	●	●			
198ó 203	○	●	●	●	●			
204ó 209	●	●	●	●	●			
210ó 215	○	○	○	○	○			
216ó 221	●	●	●	○	○			
222ó 227	○	●	●	●	○			
228ó 233	○	○	●	●	●			

Tour 2 (52CH cont.)	Channel	Function	Value	Percent/Setting				
				Head 1	Head 2	Head 3	Head 4	Head 5
10	10	On/Off Preset (● = on; ○ = off)	234○ 239	●	○	○	●	●
			240○ 245	●	●	○	○	●
			246○ 255	●	●	●	●	●
			000○ 015	No function				
11	11	LED Macro/ Auto Program	016○ 020	LED Macro 1				
			021○ 025	LED Macro 2				
			026○ 030	LED Macro 3				
			031○ 035	LED Macro 4				
			036○ 040	LED Macro 5				
			041○ 045	LED Macro 6				
			046○ 050	LED Macro 7				
			051○ 055	LED Macro 8				
			056○ 060	LED Macro 9				
			061○ 065	LED Macro 10				
			066○ 070	LED Macro 11				
			071○ 075	LED Macro 12				
			076○ 080	LED Macro 13				
			081○ 085	LED Macro 14				
			086○ 090	LED Macro 15				
			091○ 095	LED Macro 16				
			096○ 100	LED Macro 17				
			101○ 105	LED Macro 18				
			106○ 110	LED Macro 19				
			111○ 115	LED Macro 20				
			116○ 120	LED Macro 21				
			121○ 125	LED Macro 22				
			126○ 130	LED Macro 23				
			131○ 135	LED Macro 24 (cycle 1–23)				
			136○ 140	Auto program 1				
			141○ 145	Auto program 2				
			146○ 150	Auto program 3				
			151○ 155	Auto program 4				
			156○ 160	Auto program 5				
			161○ 165	Auto program 6				
			166○ 170	Auto program 7				
			171○ 175	Auto program 8				
			176○ 180	Auto program 9				
			181○ 185	Auto program 10				
			186○ 190	Auto program 11				
			191○ 195	Auto program 12				
			196○ 200	Auto program 13				
			201○ 205	Auto program 14				
			206○ 210	Auto program 15				
			211○ 215	Auto program 16				
216○ 220	Auto program 17							
221○ 225	Auto program 18							
226○ 230	Auto program 19							
231○ 235	Auto program 20							
236○ 240	Auto program 21							
241○ 245	Auto program 22							
246○ 250	Auto program 23							
251○ 255	Auto program 24 (cycle 1–23)							
12	12	LED Macro Speed	000○ 255	Slow to fast				

Tour 2	Channel	Function	Value	Percent/Setting
(52CH cont.)	13	Tilt 1	000 ∘ 255	0–100%
	14	Fine Tilt 1	000 ∘ 255	0–100%
	15	Continuous Tilt 1	000	No function
			001 ∘ 127	Counterclockwise rotation, slow to fast
			128	Stop
			129 ∘ 255	Clockwise rotation, slow to fast
	16	Head 1 Dimmer	000 ∘ 255	0–100%
	17	Head 1 Red	000 ∘ 255	RGBW mode: 0–100% / CMY mode: 100%–0
	18	Head 1 Green	000 ∘ 255	RGBW mode: 0–100% / CMY mode: 100%–0
	19	Head 1 Blue	000 ∘ 255	RGBW mode: 0–100% / CMY mode: 100%–0
	20	Head 1 White	000 ∘ 255	RGBW mode: 0–100% / CMY mode: 100%–0
	21	Tilt 2	000 ∘ 255	0–100%
	22	Fine Tilt 2	000 ∘ 255	0–100%
	23	Continuous Tilt 2	000	No function
			001 ∘ 127	Counterclockwise rotation, slow to fast
			128	Stop
			129 ∘ 255	Clockwise rotation, slow to fast
	24	Head 2 Dimmer	000 ∘ 255	0–100%
	25	Head 2 Red	000 ∘ 255	RGBW mode: 0–100% / CMY mode: 100%–0
	26	Head 2 Green	000 ∘ 255	RGBW mode: 0–100% / CMY mode: 100%–0
	27	Head 2 Blue	000 ∘ 255	RGBW mode: 0–100% / CMY mode: 100%–0
	28	Head 2 White	000 ∘ 255	RGBW mode: 0–100% / CMY mode: 100%–0
	29	Tilt 3	000 ∘ 255	0–100%
	30	Fine Tilt 3	000 ∘ 255	0–100%
	31	Continuous Tilt 3	000	No function
			001 ∘ 127	Counterclockwise rotation, slow to fast
			128	Stop
			129 ∘ 255	Clockwise rotation, slow to fast
	32	Head 3 Dimmer	000 ∘ 255	0–100%
	33	Head 3 Red	000 ∘ 255	RGBW mode: 0–100% / CMY mode: 100%–0
	34	Head 3 Green	000 ∘ 255	RGBW mode: 0–100% / CMY mode: 100%–0
	35	Head 3 Blue	000 ∘ 255	RGBW mode: 0–100% / CMY mode: 100%–0
	36	Head 3 White	000 ∘ 255	RGBW mode: 0–100% / CMY mode: 100%–0
	37	Tilt 4	000 ∘ 255	0–100%
38	Fine Tilt 4	000 ∘ 255	0–100%	
39	Continuous Tilt 4	000	No function	
		001 ∘ 127	Counterclockwise rotation, slow to fast	
		128	Stop	
		129 ∘ 255	Clockwise rotation, slow to fast	
40	Head 4 Dimmer	000 ∘ 255	0–100%	
41	Head 4 Red	000 ∘ 255	RGBW mode: 0–100% / CMY mode: 100%–0	
42	Head 4 Green	000 ∘ 255	RGBW mode: 0–100% / CMY mode: 100%–0	
43	Head 4 Blue	000 ∘ 255	RGBW mode: 0–100% / CMY mode: 100%–0	
44	Head 4 White	000 ∘ 255	RGBW mode: 0–100% / CMY mode: 100%–0	
45	Tilt 5	000 ∘ 255	0–100%	
46	Fine Tilt 5	000 ∘ 255	0–100%	
47	Continuous Tilt 5	000	No function	
		001 ∘ 127	Counterclockwise rotation, slow to fast	
		128	Stop	
		129 ∘ 255	Clockwise rotation, slow to fast	
48	Head 5 Dimmer	000 ∘ 255	0–100%	

Tour 2	Channel	Function	Value	Percent/Setting
(52CH cont.)	45	Tilt 5	000○ 255	0–100%
	46	Fine Tilt 5	000○ 255	0–100%
	47	Continuous Tilt 5	000	No function
			001○ 127	Counterclockwise rotation, slow to fast
			128	Stop
			129○ 255	Clockwise rotation, slow to fast
	48	Head 5 Dimmer	000○ 255	0–100%
	49	Head 5 Red	000○ 255	RGBW mode: 0–100% / CMY mode: 100%–0
50	Head 5 Green	000○ 255	RGBW mode: 0–100% / CMY mode: 100%–0	
51	Head 5 Blue	000○ 255	RGBW mode: 0–100% / CMY mode: 100%–0	
52	Head 5 White	000○ 255	RGBW mode: 0–100% / CMY mode: 100%–0	

Tour	Channel	Function	Value	Percent/Setting
(47CH)	1	Pan	000○ 255	0–100%
	2	Fine Pan	000○ 255	0–100%
	3	Continuous Pan	000	No function
			001○ 127	Counterclockwise rotation, slow to fast
			128	Stop
			129○ 255	Clockwise rotation, slow to fast
	4	Tilt Macro	000○ 047	No function
			048○ 055	Tilt macro 1
			056○ 063	Tilt macro 2
			064○ 071	Tilt macro 3
			072○ 079	Tilt macro 4
			080○ 087	Tilt macro 5
			088○ 095	Tilt macro 6
			096○ 103	Tilt macro 7
			104○ 111	Tilt macro 8
112○ 119			Tilt macro 9	
120○ 127			Tilt macro 10	
128○ 135			Tilt macro 11	
136○ 143			Tilt macro 12	
144○ 151			Tilt macro 13	
152○ 159			Tilt macro 14	
160○ 167			Tilt macro 15	
168○ 175			Tilt macro 16	
176○ 183	Tilt macro 17			
184○ 191	Tilt macro 18			
192○ 199	Tilt macro 19			
200○ 207	Tilt macro 20			
208○ 215	Tilt macro 21			
216○ 223	Tilt macro 22			
224○ 231	Tilt macro 23			
232○ 239	Tilt macro 24			
240○ 247	Tilt macro 25			
248○ 255	Tilt macro 26			
5	Tilt Macro Speed	000○ 255	Fast to slow	

Tour (47CH cont.)	Channel	Function	Value	Percent/Setting
	6	Control	000 009	No function
			010 014	Manual tilt blackout
			015 019	Cancel manual tilt blackout
			020 024	1 fixture macro
			025 029	2 fixture macro 1
			030 034	2 fixture macro 2
			035 039	4 fixture macro 1
			040 044	4 fixture macro 2
			045 049	4 fixture macro 3
			050 054	4 fixture macro 4
			055 059	Pan reset
			060 064	Tilt reset
			065 069	No function (reserved for future use)
			070 074	Reset all
			075 079	No function (reserved for future use)
			080 084	Pan/Tilt reverse
			085 089	Pan reverse
			090 094	Tilt reverse
			095 099	Cancel pan reverse
			100 104	Cancel tilt reverse
	105 109	Cancel pan/tilt reverse		
	110 114	No function (reserved for future use)		
	115 119	Link all heads to head 1		
	120 124	Unlink all heads from head 1		
	125 129	No function (reserved for future use)		
	130 134	No function (reserved for future use)		
	135 139	Dimmer speed mode fast		
	140 144	Dimmer speed mode smooth		
	145 255	No function		
	7	Dimmer	000 255	0–100%
	8	Shutter	000 019	Off
			020 024	On
			025 064	Strobe 1, fast to slow
			065 069	On
			070 084	Strobe 2 (Fast on, slow off) fast to slow
			085 089	On
			090 104	Strobe 3 (Slow on, fast off) fast to slow
			105 109	On
			110 124	Strobe 4 (Random) fast to slow
			125 129	On
			130 144	Strobe 5 (Random fast on, slow off) fast to slow
			145 149	On
			150 164	Strobe 6 (Random slow on, fast off) fast to slow
			165 169	On
			170 184	Strobe 7 (Pulse) fast to slow
			185 189	On
			190 204	Strobe 8 (Random pulse) fast to slow
			205 209	On
			210 224	Strobe 9 (Fade in, fade out) fast to slow
			225 229	On
	230 244	Strobe 10 (Random pulse) fast to slow		
	245 255	On		

Tour (47CH cont.)	Channel	Function	Value	Percent/Setting				
9	Color Macro	000	013	No function				
		014	020	Color 1				
		021	028	Color 2				
		029	036	Color 3				
		037	044	Color 4				
		045	052	Color 5				
		053	060	Color 6				
		061	068	Color 7				
		069	076	Color 8				
		077	084	Color 9				
		085	092	Color 10				
		093	100	Color 11				
		101	108	Color 12				
		109	116	Color 13				
		117	124	Color 14				
		125	133	Color 15				
		134	185	No function				
		186	207	Rainbow effect, fast to slow				
		208	213	Stop				
		214	235	Reverse Rainbow effect, fast to slow				
236	240	No function						
241	255	Color jump, fast to slow						
10	On/Off Preset (● = on; ○ = off)			Head 1	Head 2	Head 3	Head 4	Head 5
		000	005	●	●	●	●	●
		006	011	○	●	●	●	●
		012	017	○	○	●	●	●
		018	023	○	○	○	●	●
		024	029	○	○	○	○	●
		030	035	○	○	○	○	○
		036	041	●	○	○	○	○
		042	047	●	●	○	○	○
		048	053	●	●	●	○	○
		054	059	●	●	●	●	○
		060	065	●	●	●	●	●
		066	071	○	○	○	○	○
		072	077	●	○	○	○	○
		078	083	○	●	○	○	○
		084	089	○	○	●	○	○
		090	095	○	○	○	●	○
		096	101	○	○	○	○	●
		102	107	○	○	○	○	○
		108	113	●	●	○	○	○
		114	119	○	●	●	○	○
		120	125	○	○	●	●	○
		126	131	○	○	○	●	●
		132	137	●	○	○	○	●
		138	143	○	○	○	○	○
		144	149	○	●	●	●	●
		150	155	●	○	●	●	●
156	161	●	●	○	●	●		
162	167	●	●	●	○	●		
168	173	●	●	●	●	○		

Tour (47CH cont.)	Channel	Function	Value	Percent/Setting				
				Head 1	Head 2	Head 3	Head 4	Head 5
10		On/Off Preset (● = on; ○ = off)	174○ 179	○	○	○	○	○
			180○ 185	○	○	○	○	●
			186○ 191	○	○	○	●	●
			192○ 197	○	○	●	●	●
			198○ 203	○	●	●	●	●
			204○ 209	●	●	●	●	●
			210○ 215	○	○	○	○	○
			216○ 221	●	●	●	○	○
			222○ 227	○	●	●	●	○
			228○ 233	○	○	●	●	●
			234○ 239	●	○	○	●	●
			240○ 245	●	●	○	○	●
			246○ 255	●	●	●	●	●
			11		LED Macro/ Auto Program	000○ 015	No function	
016○ 020	LED Macro 1							
021○ 025	LED Macro 2							
026○ 030	LED Macro 3							
031○ 035	LED Macro 4							
036○ 040	LED Macro 5							
041○ 045	LED Macro 6							
046○ 050	LED Macro 7							
051○ 055	LED Macro 8							
056○ 060	LED Macro 9							
061○ 065	LED Macro 10							
066○ 070	LED Macro 11							
071○ 075	LED Macro 12							
076○ 080	LED Macro 13							
081○ 085	LED Macro 14							
086○ 090	LED Macro 15							
091○ 095	LED Macro 16							
096○ 100	LED Macro 17							
101○ 105	LED Macro 18							
106○ 110	LED Macro 19							
111○ 115	LED Macro 20							
116○ 120	LED Macro 21							
121○ 125	LED Macro 22							
126○ 130	LED Macro 23							
131○ 135	LED Macro 24 (cycle 1–23)							
136○ 140	Auto program 1							
141○ 145	Auto program 2							
146○ 150	Auto program 3							
151○ 155	Auto program 4							
156○ 160	Auto program 5							
161○ 165	Auto program 6							
166○ 170	Auto program 7							
171○ 175	Auto program 8							
176○ 180	Auto program 9							
181○ 185	Auto program 10							
186○ 190	Auto program 11							
191○ 195	Auto program 12							
196○ 200	Auto program 13							
201○ 205	Auto program 14							

Tour (47CH cont.)	Channel	Function	Value	Percent/Setting
11	LED Macro/ Auto Program	206	0 210	Auto program 15
		211	0 215	Auto program 16
		216	0 220	Auto program 17
		221	0 225	Auto program 18
		226	0 230	Auto program 19
		231	0 235	Auto program 20
		236	0 240	Auto program 21
		241	0 245	Auto program 22
		246	0 250	Auto program 23
		251	0 255	Auto program 24 (cycle 1–23)
12	LED Macro Speed	000	0 255	Slow to fast
13	Tilt 1	000	0 255	0–100%
14	Fine Tilt 1	000	0 255	0–100%
15	Continuous Tilt 1	000		No function
		001	0 127	Counterclockwise rotation, slow to fast
		128		Stop
		129	0 255	Clockwise rotation, slow to fast
16	Head 1 Red	000	0 255	RGBW mode: 0–100% / CMY mode: 100%–0
17	Head 1 Green	000	0 255	RGBW mode: 0–100% / CMY mode: 100%–0
18	Head 1 Blue	000	0 255	RGBW mode: 0–100% / CMY mode: 100%–0
19	Head 1 White	000	0 255	RGBW mode: 0–100% / CMY mode: 100%–0
20	Tilt 2	000	0 255	0–100%
21	Fine Tilt 2	000	0 255	0–100%
22	Continuous Tilt 2	000		No function
		001	0 127	Counterclockwise rotation, slow to fast
		128		Stop
		129	0 255	Clockwise rotation, slow to fast
23	Head 2 Red	000	0 255	RGBW mode: 0–100% / CMY mode: 100%–0
24	Head 2 Green	000	0 255	RGBW mode: 0–100% / CMY mode: 100%–0
25	Head 2 Blue	000	0 255	RGBW mode: 0–100% / CMY mode: 100%–0
26	Head 2 White	000	0 255	RGBW mode: 0–100% / CMY mode: 100%–0
27	Tilt 3	000	0 255	0–100%
28	Fine Tilt 3	000	0 255	0–100%
29	Continuous Tilt 3	000		No function
		001	0 127	Counterclockwise rotation, slow to fast
		128		Stop
		129	0 255	Clockwise rotation, slow to fast
30	Head 3 Red	000	0 255	RGBW mode: 0–100% / CMY mode: 100%–0
31	Head 3 Green	000	0 255	RGBW mode: 0–100% / CMY mode: 100%–0
32	Head 3 Blue	000	0 255	RGBW mode: 0–100% / CMY mode: 100%–0
33	Head 3 White	000	0 255	RGBW mode: 0–100% / CMY mode: 100%–0
34	Tilt 4	000	0 255	0–100%
35	Fine Tilt 4	000	0 255	0–100%
36	Continuous Tilt 4	000		No function
		001	0 127	Counterclockwise rotation, slow to fast
		128		Stop
		129	0 255	Clockwise rotation, slow to fast
37	Head 4 Red	000	0 255	RGBW mode: 0–100% / CMY mode: 100%–0
38	Head 4 Green	000	0 255	RGBW mode: 0–100% / CMY mode: 100%–0
39	Head 4 Blue	000	0 255	RGBW mode: 0–100% / CMY mode: 100%–0
40	Head 4 White	000	0 255	RGBW mode: 0–100% / CMY mode: 100%–0

Tour (47CH	Channel	Function	Value	Percent/Setting
cont.)	41	Tilt 5	000○255	0–100%
	42	Fine Tilt 5	000○255	0–100%
	43	Continuous Tilt 5	000	No function
			001○127	Counterclockwise rotation, slow to fast
			128	Stop
			129○255	Clockwise rotation, slow to fast
	44	Head 5 Red	000○255	RGBW mode: 0–100% / CMY mode: 100%–0
	45	Head 5 Green	000○255	RGBW mode: 0–100% / CMY mode: 100%–0
	46	Head 5 Blue	000○255	RGBW mode: 0–100% / CMY mode: 100%–0
	47	Head 5 White	000○255	RGBW mode: 0–100% / CMY mode: 100%–0

Advanced	Channel	Function	Value	Percent/Setting
Mode (47CH)	1	Pan	000○255	0–100%
	2	Fine Pan	000○255	0–100%
	3	Continuous Pan	000	No function
			001○127	Counterclockwise rotation, slow to fast
			128	Stop
			129○255	Clockwise rotation, slow to fast
	4	Tilt 1	000○255	0–100%
	5	Fine Tilt 1	000○255	0–100%
	6	Tilt 2	000○255	0–100%
	7	Fine Tilt 2	000○255	0–100%
	8	Tilt 3	000○255	0–100%
	9	Fine Tilt 3	000○255	0–100%
	10	Tilt 4	000○255	0–100%
	11	Fine Tilt 4	000○255	0–100%
	12	Tilt 5	000○255	0–100%
	13	Fine Tilt 5	000○255	0–100%
	14	Continuous Tilt 1	000	No function
			001○127	Counterclockwise rotation, slow to fast
128			Stop	
129○255			Clockwise rotation, slow to fast	
15	Continuous Tilt 2	000	No function	
		001○127	Counterclockwise rotation, slow to fast	
		128	Stop	
		129○255	Clockwise rotation, slow to fast	
16	Continuous Tilt 3	000	No function	
		001○127	Counterclockwise rotation, slow to fast	
		128	Stop	
		129○255	Clockwise rotation, slow to fast	
17	Continuous Tilt 4	000	No function	
		001○127	Counterclockwise rotation, slow to fast	
		128	Stop	
		129○255	Clockwise rotation, slow to fast	
18	Continuous Tilt 5	000	No function	
		001○127	Counterclockwise rotation, slow to fast	
		128	Stop	
		129○255	Clockwise rotation, slow to fast	

Advanced Mode	Channel	Function	Value	Percent/Setting
(47CH cont.)	19	Tilt Macro	000 047	No function
			048 055	Tilt macro 1
			056 063	Tilt macro 2
			064 071	Tilt macro 3
			072 079	Tilt macro 4
			080 087	Tilt macro 5
			088 095	Tilt macro 6
			096 103	Tilt macro 7
			104 111	Tilt macro 8
			112 119	Tilt macro 9
			120 127	Tilt macro 10
			128 135	Tilt macro 11
			136 143	Tilt macro 12
			144 151	Tilt macro 13
			152 159	Tilt macro 14
			160 167	Tilt macro 15
			168 175	Tilt macro 16
			176 183	Tilt macro 17
			184 191	Tilt macro 18
			192 199	Tilt macro 19
200 207	Tilt macro 20			
208 215	Tilt macro 21			
216 223	Tilt macro 22			
224 231	Tilt macro 23			
232 239	Tilt macro 24			
240 247	Tilt macro 25			
248 255	Tilt macro 26			
20	Tilt Macro Speed	000 255	Fast to slow	

Advanced Mode	Channel	Function	Value	Percent/Setting
(47CH cont.)	21	Control	000 009	No function
			010 014	Manual tilt blackout
			015 019	Cancel manual tilt blackout
			020 024	1 fixture macro
			025 029	2 fixture macro 1
			030 034	2 fixture macro 2
			035 039	4 fixture macro 1
			040 044	4 fixture macro 2
			045 049	4 fixture macro 3
			050 054	4 fixture macro 4
			055 059	Pan reset
			060 064	Tilt reset
			065 069	No function (reserved for future use)
			070 074	Reset all
			075 079	No function (reserved for future use)
			080 084	Pan/Tilt reverse
			085 089	Pan reverse
			090 094	Tilt reverse
			095 099	Cancel pan reverse
			100 104	Cancel tilt reverse
			105 109	Cancel pan/tilt reverse
			110 114	No function (reserved for future use)
			115 119	Link all heads to head 1
120 124	Unlink all heads from head 1			
125 129	No function (reserved for future use)			
130 134	No function (reserved for future use)			
135 139	Dimmer speed mode fast			
140 144	Dimmer speed mode smooth			
145 255	No function			
22	Dimmer		000 255	0–100%
	23	Shutter	000 019	Off
			020 024	On
			025 064	Strobe 1, fast to slow
			065 069	On
			070 084	Strobe 2 (Fast on, slow off) fast to slow
			085 089	On
			090 104	Strobe 3 (Slow on, fast off) fast to slow
			105 109	On
			110 124	Strobe 4 (Random) fast to slow
			125 129	On
			130 144	Strobe 5 (Random fast on, slow off) fast to slow
			145 149	On
			150 164	Strobe 6 (Random slow on, fast off) fast to slow
			165 169	On
			170 184	Strobe 7 (Pulse) fast to slow
			185 189	On
			190 204	Strobe 8 (Random pulse) fast to slow
			205 209	On
			210 224	Strobe 9 (Fade in, fade out) fast to slow
			225 229	On
230 244	Strobe 10 (Random pulse) fast to slow			
245 255	On			

Advanced Mode	Channel	Function	Value	Percent/Setting
(47CH cont.)	24	Color Macro	000 013	No function
			014 020	Color 1
			021 028	Color 2
			029 036	Color 3
			037 044	Color 4
			045 052	Color 5
			053 060	Color 6
			061 068	Color 7
			069 076	Color 8
			077 084	Color 9
			085 092	Color 10
			093 100	Color 11
			101 108	Color 12
			109 116	Color 13
			117 124	Color 14
			125 133	Color 15
			134 185	No function
			186 207	Rainbow effect, fast to slow
			208 213	Stop
			214 235	Reverse Rainbow effect, fast to slow
			236 240	No function
			241 255	Color jump, fast to slow

Advanced Mode (47CH cont.)	Channel	Function	Value	Percent/Setting				
				Head 1	Head 2	Head 3	Head 4	Head 5
			000○ 005	●	●	●	●	●
			006○ 011	○	●	●	●	●
			012○ 017	○	○	●	●	●
			018○ 023	○	○	○	●	●
			024○ 029	○	○	○	○	●
			030○ 035	○	○	○	○	○
			036○ 041	●	○	○	○	○
			042○ 047	●	●	○	○	○
			048○ 053	●	●	●	○	○
			054○ 059	●	●	●	●	○
			060○ 065	●	●	●	●	●
			066○ 071	○	○	○	○	○
			072○ 077	●	○	○	○	○
			078○ 083	○	●	○	○	○
			084○ 089	○	○	●	○	○
			090○ 095	○	○	○	●	○
			096○ 101	○	○	○	○	●
			102○ 107	○	○	○	○	○
			108○ 113	●	●	○	○	○
			114○ 119	○	●	●	○	○
			120○ 125	○	○	●	●	○
			126○ 131	○	○	○	●	●
			132○ 137	●	○	○	○	●
			138○ 143	○	○	○	○	○
			144○ 149	○	●	●	●	●
			150○ 155	●	○	●	●	●
			156○ 161	●	●	○	●	●
			162○ 167	●	●	●	○	●
			168○ 173	●	●	●	●	○
			174○ 179	○	○	○	○	○
			180○ 185	○	○	○	○	●
			186○ 191	○	○	○	●	●
			192○ 197	○	○	●	●	●
			198○ 203	○	●	●	●	●
			204○ 209	●	●	●	●	●
			210○ 215	○	○	○	○	○
			216○ 221	●	●	●	○	○
			222○ 227	○	●	●	●	○
			228○ 233	○	○	●	●	●
			234○ 239	●	○	○	●	●
			240○ 245	●	●	○	○	●
			246○ 255	●	●	●	●	●

25

On/Off Preset
(● = on; ○ = off)

Advanced Mode	Channel	Function	Value	Percent/Setting
(47CH cont.)	26	LED Macro/ Auto Program	000 015	No function
			016 020	LED Macro 1
			021 025	LED Macro 2
			026 030	LED Macro 3
			031 035	LED Macro 4
			036 040	LED Macro 5
			041 045	LED Macro 6
			046 050	LED Macro 7
			051 055	LED Macro 8
			056 060	LED Macro 9
			061 065	LED Macro 10
			066 070	LED Macro 11
			071 075	LED Macro 12
			076 080	LED Macro 13
			081 085	LED Macro 14
			086 090	LED Macro 15
			091 095	LED Macro 16
			096 100	LED Macro 17
			101 105	LED Macro 18
			106 110	LED Macro 19
			111 115	LED Macro 20
			116 120	LED Macro 21
			121 125	LED Macro 22
			126 130	LED Macro 23
			131 135	LED Macro 24 (cycle 1–23)
			136 140	Auto program 1
141 145	Auto program 2			
146 150	Auto program 3			
151 155	Auto program 4			
156 160	Auto program 5			
161 165	Auto program 6			
166 170	Auto program 7			
171 175	Auto program 8			
176 180	Auto program 9			
181 185	Auto program 10			
186 190	Auto program 11			
191 195	Auto program 12			
196 200	Auto program 13			
201 205	Auto program 14			
206 210	Auto program 15			
211 215	Auto program 16			
216 220	Auto program 17			
221 225	Auto program 18			
226 230	Auto program 19			
231 235	Auto program 20			
236 240	Auto program 21			
241 245	Auto program 22			
246 250	Auto program 23			
251 255	Auto program 24 (cycle 1–23)			
27	LED Macro Speed	000 025	Slow to fast	

Advanced Mode	Channel	Function	Value	Percent/Setting
(47CH cont.)	28	Head 1 Red	000 ∘ 255	RGBW mode: 0–100% / CMY mode: 100%–0
	29	Head 1 Green	000 ∘ 255	RGBW mode: 0–100% / CMY mode: 100%–0
	30	Head 1 Blue	000 ∘ 255	RGBW mode: 0–100% / CMY mode: 100%–0
	31	Head 1 White	000 ∘ 255	RGBW mode: 0–100% / CMY mode: 100%–0
	32	Head 2 Red	000 ∘ 255	RGBW mode: 0–100% / CMY mode: 100%–0
	33	Head 2 Green	000 ∘ 255	RGBW mode: 0–100% / CMY mode: 100%–0
	34	Head 2 Blue	000 ∘ 255	RGBW mode: 0–100% / CMY mode: 100%–0
	35	Head 2 White	000 ∘ 255	RGBW mode: 0–100% / CMY mode: 100%–0
	36	Head 3 Red	000 ∘ 255	RGBW mode: 0–100% / CMY mode: 100%–0
	37	Head 3 Green	000 ∘ 255	RGBW mode: 0–100% / CMY mode: 100%–0
	38	Head 3 Blue	000 ∘ 255	RGBW mode: 0–100% / CMY mode: 100%–0
	39	Head 3 White	000 ∘ 255	RGBW mode: 0–100% / CMY mode: 100%–0
	40	Head 4 Red	000 ∘ 255	RGBW mode: 0–100% / CMY mode: 100%–0
	41	Head 4 Green	000 ∘ 255	RGBW mode: 0–100% / CMY mode: 100%–0
	42	Head 4 Blue	000 ∘ 255	RGBW mode: 0–100% / CMY mode: 100%–0
43	Head 4 White	000 ∘ 255	RGBW mode: 0–100% / CMY mode: 100%–0	
44	Head 5 Red	000 ∘ 255	RGBW mode: 0–100% / CMY mode: 100%–0	
45	Head 5 Green	000 ∘ 255	RGBW mode: 0–100% / CMY mode: 100%–0	
46	Head 5 Blue	000 ∘ 255	RGBW mode: 0–100% / CMY mode: 100%–0	
47	Head 5 White	000 ∘ 255	RGBW mode: 0–100% / CMY mode: 100%–0	

Standard Mode	Channel	Function	Value	Percent/Setting
(25CH)	1	Pan	000 ∘ 255	0–100%
	2	Continuous Pan	000	No function
			001 ∘ 127	Counterclockwise rotation, slow to fast
			128	Stop
			129 ∘ 255	Clockwise rotation, slow to fast
	3	Tilt 1	000 ∘ 255	0–100%
	4	Tilt 2	000 ∘ 255	0–100%
	5	Tilt 3	000 ∘ 255	0–100%
	6	Tilt 4	000 ∘ 255	0–100%
	7	Tilt 5	000 ∘ 255	0–100%
	8	Continuous Tilt 1	000	No function
			001 ∘ 127	Counterclockwise rotation, slow to fast
128			Stop	
129 ∘ 255			Clockwise rotation, slow to fast	
9	Continuous Tilt 2	000	No function	
		001 ∘ 127	Counterclockwise rotation, slow to fast	
		128	Stop	
		129 ∘ 255	Clockwise rotation, slow to fast	
10	Continuous Tilt 3	000	No function	
		001 ∘ 127	Counterclockwise rotation, slow to fast	
		128	Stop	
		129 ∘ 255	Clockwise rotation, slow to fast	
11	Continuous Tilt 4	000	No function	
		001 ∘ 127	Counterclockwise rotation, slow to fast	
		128	Stop	
		129 ∘ 255	Clockwise rotation, slow to fast	
12	Continuous Tilt 5	000	No function	
		001 ∘ 127	Counterclockwise rotation, slow to fast	
		128	Stop	
		129 ∘ 255	Clockwise rotation, slow to fast	

Standard Mode	Channel	Function	Value	Percent/Setting
(25CH cont.)	13	Tilt Macro	000 047	No function
			048 055	Tilt macro 1
			056 063	Tilt macro 2
			064 071	Tilt macro 3
			072 079	Tilt macro 4
			080 087	Tilt macro 5
			088 095	Tilt macro 6
			096 103	Tilt macro 7
			104 111	Tilt macro 8
			112 119	Tilt macro 9
			120 127	Tilt macro 10
			128 135	Tilt macro 11
			136 143	Tilt macro 12
			144 151	Tilt macro 13
			152 159	Tilt macro 14
			160 167	Tilt macro 15
			168 175	Tilt macro 16
			176 183	Tilt macro 17
			184 191	Tilt macro 18
			192 199	Tilt macro 19
			200 207	Tilt macro 20
			208 215	Tilt macro 21
			216 223	Tilt macro 22
			224 231	Tilt macro 23
			232 239	Tilt macro 24
			240 247	Tilt macro 25
248 255	Tilt macro 26			
14	Tilt Macro Speed	000 255	Fast to slow	

Standard Mode	Channel	Function	Value	Percent/Setting	
(25CH cont.)	15	Control	000	009	No function
			010	014	Manual tilt blackout
			015	019	Cancel manual tilt blackout
			020	024	1 fixture macro
			025	029	2 fixture macro 1
			030	034	2 fixture macro 2
			035	039	4 fixture macro 1
			040	044	4 fixture macro 2
			045	049	4 fixture macro 3
			050	054	4 fixture macro 4
			055	059	Pan reset
			060	064	Tilt reset
			065	069	No function (reserved for future use)
			070	074	Reset all
			075	079	No function (reserved for future use)
			080	084	Pan/Tilt reverse
			085	089	Pan reverse
			090	094	Tilt reverse
			095	099	Cancel pan reverse
			100	104	Cancel tilt reverse
			105	109	Cancel pan/tilt reverse
			110	114	No function (reserved for future use)
			115	119	Link all heads to head 1
			120	124	Unlink all heads from head 1
			125	129	No function (reserved for future use)
130	134	No function (reserved for future use)			
135	139	Dimmer speed mode fast			
140	144	Dimmer speed mode smooth			
145	255	No function			
16	Dimmer		000	255	0–100%
	17	Shutter	000	019	Off
			020	024	On
			025	064	Strobe 1, fast to slow
			065	069	On
			070	084	Strobe 2 (Fast on, slow off) fast to slow
			085	089	On
			090	104	Strobe 3 (Slow on, fast off) fast to slow
			105	109	On
			110	124	Strobe 4 (Random) fast to slow
			125	129	On
			130	144	Strobe 5 (Random fast on, slow off) fast to slow
			145	149	On
			150	164	Strobe 6 (Random slow on, fast off) fast to slow
			165	169	On
			170	184	Strobe 7 (Pulse) fast to slow
			185	189	On
			190	204	Strobe 8 (Random pulse) fast to slow
			205	209	On
			210	224	Strobe 9 (Fade in, fade out) fast to slow
			225	229	On
230	244	Strobe 10 (Random pulse) fast to slow			
245	255	On			

Standard Mode	Channel	Function	Value	Percent/Setting
(25CH cont.)	18	Color Macro	000 013	No function
			014 020	Color 1
			021 028	Color 2
			029 036	Color 3
			037 044	Color 4
			045 052	Color 5
			053 060	Color 6
			061 068	Color 7
			069 076	Color 8
			077 084	Color 9
			085 092	Color 10
			093 100	Color 11
			101 108	Color 12
			109 116	Color 13
			117 124	Color 14
			125 133	Color 15
			134 185	No function
			186 207	Rainbow effect, fast to slow
			208 213	Stop
			214 235	Reverse Rainbow effect, fast to slow
			236 240	No function
			241 255	Color jump, fast to slow

Standard Mode (25CH cont.)	Channel	Function	Value	Percent/Setting				
				Head 1	Head 2	Head 3	Head 4	Head 5
			000○ 005	●	●	●	●	●
			006○ 011	○	●	●	●	●
			012○ 017	○	○	●	●	●
			018○ 023	○	○	○	●	●
			024○ 029	○	○	○	○	●
			030○ 035	○	○	○	○	○
			036○ 041	●	○	○	○	○
			042○ 047	●	●	○	○	○
			048○ 053	●	●	●	○	○
			054○ 059	●	●	●	●	○
			060○ 065	●	●	●	●	●
			066○ 071	○	○	○	○	○
			072○ 077	●	○	○	○	○
			078○ 083	○	●	○	○	○
			084○ 089	○	○	●	○	○
			090○ 095	○	○	○	●	○
			096○ 101	○	○	○	○	●
			102○ 107	○	○	○	○	○
			108○ 113	●	●	○	○	○
			114○ 119	○	●	●	○	○
			120○ 125	○	○	●	●	○
			126○ 131	○	○	○	●	●
			132○ 137	●	○	○	○	●
			138○ 143	○	○	○	○	○
			144○ 149	○	●	●	●	●
			150○ 155	●	○	●	●	●
			156○ 161	●	●	○	●	●
			162○ 167	●	●	●	○	●
			168○ 173	●	●	●	●	○
			174○ 179	○	○	○	○	○
			180○ 185	○	○	○	○	●
			186○ 191	○	○	○	●	●
			192○ 197	○	○	●	●	●
			198○ 203	○	●	●	●	●
			204○ 209	●	●	●	●	●
			210○ 215	○	○	○	○	○
			216○ 221	●	●	●	○	○
			222○ 227	○	●	●	●	○
			228○ 233	○	○	●	●	●
			234○ 239	●	○	○	●	●
			240○ 245	●	●	○	○	●
			246○ 255	●	●	●	●	●

19

On/Off Preset
(● = on; ○ = off)

Standard Mode	Channel	Function	Value	Percent/Setting
(25CH cont.)	20	LED Macro/ Auto Program	000 015	No function
			016 020	LED Macro 1
			021 025	LED Macro 2
			026 030	LED Macro 3
			031 035	LED Macro 4
			036 040	LED Macro 5
			041 045	LED Macro 6
			046 050	LED Macro 7
			051 055	LED Macro 8
			056 060	LED Macro 9
			061 065	LED Macro 10
			066 070	LED Macro 11
			071 075	LED Macro 12
			076 080	LED Macro 13
			081 085	LED Macro 14
			086 090	LED Macro 15
			091 095	LED Macro 16
			096 100	LED Macro 17
			101 105	LED Macro 18
			106 110	LED Macro 19
			111 115	LED Macro 20
			116 120	LED Macro 21
			121 125	LED Macro 22
			126 130	LED Macro 23
			131 135	LED Macro 24 (cycle 1–23)
			136 140	Auto program 1
			141 145	Auto program 2
			146 150	Auto program 3
			151 155	Auto program 4
			156 160	Auto program 5
161 165	Auto program 6			
166 170	Auto program 7			
171 175	Auto program 8			
176 180	Auto program 9			
181 185	Auto program 10			
186 190	Auto program 11			
191 195	Auto program 12			
196 200	Auto program 13			
201 205	Auto program 14			
206 210	Auto program 15			
211 215	Auto program 16			
216 220	Auto program 17			
221 225	Auto program 18			
226 230	Auto program 19			
231 235	Auto program 20			
236 240	Auto program 21			
241 245	Auto program 22			
246 250	Auto program 23			
251 255	Auto program 24 (cycle 1–23)			
21	LED Macro Speed	000 025	Slow to fast	

Standard Mode	Channel	Function	Value	Percent/Setting
(25CH cont.)	22	Red	000○255	RGBW mode: 0–100% / CMY mode: 100%–0
	23	Green	000○255	RGBW mode: 0–100% / CMY mode: 100%–0
	24	Blue	000○255	RGBW mode: 0–100% / CMY mode: 100%–0
	25	White	000○255	RGBW mode: 0–100% / CMY mode: 100%–0

Basic Mode (18CH)	Channel	Function	Value	Percent/Setting
	1	Pan	000○255	0–100%
	2	Continuous Pan	000	No function
			001○127	Counterclockwise rotation, slow to fast
			128	Stop
			129○255	Clockwise rotation, slow to fast
	3	Tilt All	000○255	0–100%
	4	Continuous Tilt All	000	No function
			001○127	Counterclockwise rotation, slow to fast
			128	Stop
			129○255	Clockwise rotation, slow to fast
	5	Tilt Offset	000○255	Offset heads from each other, 0–360°
	6	Tilt Macro	000○047	No function
			048○055	Tilt macro 1
			056○063	Tilt macro 2
			064○071	Tilt macro 3
			072○079	Tilt macro 4
			080○087	Tilt macro 5
			088○095	Tilt macro 6
			096○103	Tilt macro 7
			104○111	Tilt macro 8
			112○119	Tilt macro 9
			120○127	Tilt macro 10
			128○135	Tilt macro 11
			136○143	Tilt macro 12
			144○151	Tilt macro 13
			152○159	Tilt macro 14
160○167			Tilt macro 15	
168○175			Tilt macro 16	
176○183			Tilt macro 17	
184○191			Tilt macro 18	
192○199			Tilt macro 19	
200○207			Tilt macro 20	
208○215			Tilt macro 21	
216○223			Tilt macro 22	
224○231			Tilt macro 23	
232○239			Tilt macro 24	
240○247			Tilt macro 25	
248○255	Tilt macro 26			
7	Tilt Macro Speed	000○255	Fast to slow	

Basic Mode	Channel	Function	Value	Percent/Setting
(18CH cont.)	8	Control	000 009	No function
			010 014	Manual tilt blackout
			015 019	Cancel manual tilt blackout
			020 024	1 fixture macro
			025 029	2 fixture macro 1
			030 034	2 fixture macro 2
			035 039	4 fixture macro 1
			040 044	4 fixture macro 2
			045 049	4 fixture macro 3
			050 054	4 fixture macro 4
			055 059	Pan reset
			060 064	Tilt reset
			065 069	No function (reserved for future use)
			070 074	Reset all
			075 079	No function (reserved for future use)
			080 084	Pan/Tilt reverse
			085 089	Pan reverse
			090 094	Tilt reverse
			095 099	Cancel pan reverse
			100 104	Cancel tilt reverse
			105 109	Cancel pan/tilt reverse
			110 114	No function (reserved for future use)
			115 119	Link all heads to head 1
			120 124	Unlink all heads from head 1
			125 129	No function (reserved for future use)
130 134	No function (reserved for future use)			
135 139	Dimmer speed mode fast			
140 144	Dimmer speed mode smooth			
145 255	No function			
9	Dimmer	000 255	0–100%	
	10	Shutter	000 019	Off
			020 024	On
			025 064	Strobe 1, fast to slow
			065 069	On
			070 084	Strobe 2 (Fast on, slow off) fast to slow
			085 089	On
			090 104	Strobe 3 (Slow on, fast off) fast to slow
			105 109	On
			110 124	Strobe 4 (Random) fast to slow
			125 129	On
			130 144	Strobe 5 (Random fast on, slow off) fast to slow
			145 149	On
			150 164	Strobe 6 (Random slow on, fast off) fast to slow
			165 169	On
			170 184	Strobe 7 (Pulse) fast to slow
			185 189	On
			190 204	Strobe 8 (Random pulse) fast to slow
			205 209	On
			210 224	Strobe 9 (Fade in, fade out) fast to slow
			225 229	On
230 244	Strobe 10 (Random pulse) fast to slow			
245 255	On			

Basic Mode	Channel	Function	Value	Percent/Setting
(18CH cont.)	11	Color Macro	000 ó 013	No function
			014 ó 020	Color 1
			021 ó 028	Color 2
			029 ó 036	Color 3
			037 ó 044	Color 4
			045 ó 052	Color 5
			053 ó 060	Color 6
			061 ó 068	Color 7
			069 ó 076	Color 8
			077 ó 084	Color 9
			085 ó 092	Color 10
			093 ó 100	Color 11
			101 ó 108	Color 12
			109 ó 116	Color 13
			117 ó 124	Color 14
			125 ó 133	Color 15
			134 ó 185	No function
			186 ó 207	Rainbow effect, fast to slow
			208 ó 213	Stop
			214 ó 235	Reverse Rainbow effect, fast to slow
236 ó 240	No function			
241 ó 255	Color jump, fast to slow			

Basic Mode (18CH cont.)	Channel	Function	Value	Percent/Setting				
				Head 1	Head 2	Head 3	Head 4	Head 5
			000○ 005	●	●	●	●	●
			006○ 011	○	●	●	●	●
			012○ 017	○	○	●	●	●
			018○ 023	○	○	○	●	●
			024○ 029	○	○	○	○	●
			030○ 035	○	○	○	○	○
			036○ 041	●	○	○	○	○
			042○ 047	●	●	○	○	○
			048○ 053	●	●	●	○	○
			054○ 059	●	●	●	●	○
			060○ 065	●	●	●	●	●
			066○ 071	○	○	○	○	○
			072○ 077	●	○	○	○	○
			078○ 083	○	●	○	○	○
			084○ 089	○	○	●	○	○
			090○ 095	○	○	○	●	○
			096○ 101	○	○	○	○	●
			102○ 107	○	○	○	○	○
			108○ 113	●	●	○	○	○
			114○ 119	○	●	●	○	○
			120○ 125	○	○	●	●	○
			126○ 131	○	○	○	●	●
			132○ 137	●	○	○	○	●
			138○ 143	○	○	○	○	○
			144○ 149	○	●	●	●	●
			150○ 155	●	○	●	●	●
			156○ 161	●	●	○	●	●
			162○ 167	●	●	●	○	●
			168○ 173	●	●	●	●	○
			174○ 179	○	○	○	○	○
			180○ 185	○	○	○	○	●
			186○ 191	○	○	○	●	●
			192○ 197	○	○	●	●	●
			198○ 203	○	●	●	●	●
			204○ 209	●	●	●	●	●
			210○ 215	○	○	○	○	○
			216○ 221	●	●	●	○	○
			222○ 227	○	●	●	●	○
			228○ 233	○	○	●	●	●
			234○ 239	●	○	○	●	●
			240○ 245	●	●	○	○	●
			246○ 255	●	●	●	●	●

12

On/Off Preset
(● = on; ○ = off)

Basic Mode	Channel	Function	Value	Percent/Setting
(18CH cont.)	13	LED Macro/ Auto Program	000○015	No function
			016○020	LED Macro 1
			021○025	LED Macro 2
			026○030	LED Macro 3
			031○035	LED Macro 4
			036○040	LED Macro 5
			041○045	LED Macro 6
			046○050	LED Macro 7
			051○055	LED Macro 8
			056○060	LED Macro 9
			061○065	LED Macro 10
			066○070	LED Macro 11
			071○075	LED Macro 12
			076○080	LED Macro 13
			081○085	LED Macro 14
			086○090	LED Macro 15
			091○095	LED Macro 16
			096○100	LED Macro 17
			101○105	LED Macro 18
			106○110	LED Macro 19
			111○115	LED Macro 20
			116○120	LED Macro 21
			121○125	LED Macro 22
			126○130	LED Macro 23
			131○135	LED Macro 24 (cycle 1–23)
136○140	Auto program 1			
141○145	Auto program 2			
146○150	Auto program 3			
151○155	Auto program 4			
156○160	Auto program 5			
161○165	Auto program 6			
166○170	Auto program 7			
171○175	Auto program 8			
176○180	Auto program 9			
181○185	Auto program 10			
186○190	Auto program 11			
191○195	Auto program 12			
196○200	Auto program 13			
201○205	Auto program 14			
206○210	Auto program 15			
211○215	Auto program 16			
216○220	Auto program 17			
221○225	Auto program 18			
226○230	Auto program 19			
231○235	Auto program 20			
236○240	Auto program 21			
241○245	Auto program 22			
246○250	Auto program 23			
251○255	Auto program 24 (cycle 1–23)			
14	LED Macro Speed	000○255	Slow to fast	

Basic Mode	Channel	Function	Value	Percent/Setting
(18CH cont.)	15	Red	000○255	RGBW mode: 0–100% / CMY mode: 100%–0
	16	Green	000○255	RGBW mode: 0–100% / CMY mode: 100%–0
	17	Blue	000○255	RGBW mode: 0–100% / CMY mode: 100%–0
	18	White	000○255	RGBW mode: 0–100% / CMY mode: 100%–0

Dual Control Movement Values

Advanced Movement Mode	Channel	Function	Value	Percent/Setting
(23CH)	1	Pan	000○255	0–100%
	2	Fine Pan	000○255	0–100%
	3	Continuous Pan	000	No function
			001○127	Counterclockwise rotation, slow to fast
			128	Stop
			129○255	Clockwise rotation, slow to fast
	4	Tilt 1	000○255	0–100%
	5	Fine Tilt 1	000○255	0–100%
	6	Tilt 2	000○255	0–100%
	7	Fine Tilt 2	000○255	0–100%
	8	Tilt 3	000○255	0–100%
	9	Fine Tilt 3	000○255	0–100%
	10	Tilt 4	000○255	0–100%
	11	Fine Tilt 4	000○255	0–100%
	12	Tilt 5	000○255	0–100%
	13	Fine Tilt 5	000○255	0–100%
	14	Continuous Tilt 1	000	No function
			001○127	Counterclockwise rotation, slow to fast
	128		Stop	
	129○255		Clockwise rotation, slow to fast	
15	Continuous Tilt 2	000	No function	
		001○127	Counterclockwise rotation, slow to fast	
		128	Stop	
		129○255	Clockwise rotation, slow to fast	
16	Continuous Tilt 3	000	No function	
		001○127	Counterclockwise rotation, slow to fast	
		128	Stop	
		129○255	Clockwise rotation, slow to fast	
17	Continuous Tilt 4	000	No function	
		001○127	Counterclockwise rotation, slow to fast	
		128	Stop	
		129○255	Clockwise rotation, slow to fast	
18	Continuous Tilt 5	000	No function	
		001○127	Counterclockwise rotation, slow to fast	
		128	Stop	
		129○255	Clockwise rotation, slow to fast	

Advanced Movement Mode (23CH cont.)	Channel	Function	Value	Percent/Setting
Advanced Movement Mode (23CH cont.)	19	Tilt Macro	000 047	No function
			048 055	Tilt macro 1
			056 063	Tilt macro 2
			064 071	Tilt macro 3
			072 079	Tilt macro 4
			080 087	Tilt macro 5
			088 095	Tilt macro 6
			096 103	Tilt macro 7
			104 111	Tilt macro 8
			112 119	Tilt macro 9
			120 127	Tilt macro 10
			128 135	Tilt macro 11
			136 143	Tilt macro 12
			144 151	Tilt macro 13
			152 159	Tilt macro 14
			160 167	Tilt macro 15
			168 175	Tilt macro 16
			176 183	Tilt macro 17
			184 191	Tilt macro 18
			192 199	Tilt macro 19
			200 207	Tilt macro 20
			208 215	Tilt macro 21
			216 223	Tilt macro 22
			224 231	Tilt macro 23
			232 239	Tilt macro 24
			240 247	Tilt macro 25
			248 255	Tilt macro 26
20	Tilt Macro Speed	000 255	Fast to slow	
21	Dimmer	000 255	0–100%	
Advanced Movement Mode (23CH cont.)	22	Shutter	000 019	Off
			020 024	On
			025 064	Strobe 1, fast to slow
			065 069	On
			070 084	Strobe 2 (Fast on, slow off) fast to slow
			085 089	On
			090 104	Strobe 3 (Slow on, fast off) fast to slow
			105 109	On
			110 124	Strobe 4 (Random) fast to slow
			125 129	On
			130 144	Strobe 5 (Random fast on, slow off) fast to slow
			145 149	On
			150 164	Strobe 6 (Random slow on, fast off) fast to slow
			165 169	On
			170 184	Strobe 7 (Pulse) fast to slow
			185 189	On
			190 204	Strobe 8 (Random pulse) fast to slow
			205 209	On
			210 224	Strobe 9 (Fade in, fade out) fast to slow
			225 229	On
			230 244	Strobe 10 (Random pulse) fast to slow
245 255	On			

Advanced Movement Mode (23CH cont.)	Channel	Function	Value	Percent/Setting
23	Control		000○009	No function
			010○014	Manual tilt blackout
			015○019	Cancel manual tilt blackout
			020○024	1 fixture macro
			025○029	2 fixture macro 1
			030○034	2 fixture macro 2
			035○039	4 fixture macro 1
			040○044	4 fixture macro 2
			045○049	4 fixture macro 3
			050○054	4 fixture macro 4
			055○059	Pan reset
			060○064	Tilt reset
			065○069	No function (reserved for future use)
			070○074	Reset all
			075○079	No function (reserved for future use)
			080○084	Pan/Tilt reverse
			085○089	Pan reverse
			090○094	Tilt reverse
			095○099	Cancel pan reverse
			100○104	Cancel tilt reverse
			105○109	Cancel pan/tilt reverse
			110○114	No function (reserved for future use)
			115○119	Link all heads to head 1
			120○124	Unlink all heads from head 1
			125○129	No function (reserved for future use)
	130○134	No function (reserved for future use)		
	135○139	Dimmer speed mode fast		
	140○144	Dimmer speed mode smooth		
	145○255	No function		

Standard Movement Mode (17CH)	Channel	Function	Value	Percent/Setting	
1	Pan		000○255	0–100%	
			000	No function	
		2	Continuous Pan	001○127	Counterclockwise rotation, slow to fast
				128	Stop
				129○255	Clockwise rotation, slow to fast
		3	Tilt 1	000○255	0–100%
		4	Tilt 2	000○255	0–100%
		5	Tilt 3	000○255	0–100%
		6	Tilt 4	000○255	0–100%
		7	Tilt 5	000○255	0–100%
		8	Continuous Tilt 1	000	No function
				001○127	Counterclockwise rotation, slow to fast
				128	Stop
				129○255	Clockwise rotation, slow to fast
		9	Continuous Tilt 2	000	No function
				001○127	Counterclockwise rotation, slow to fast
				128	Stop
				129○255	Clockwise rotation, slow to fast

Standard Movement	Channel	Function	Value	Percent/Setting
Mode (17CH cont.)	10	Continuous Tilt 3	000	No function
			001 ∘ 127	Counterclockwise rotation, slow to fast
			128	Stop
			129 ∘ 255	Clockwise rotation, slow to fast
	11	Continuous Tilt 4	000	No function
			001 ∘ 127	Counterclockwise rotation, slow to fast
			128	Stop
			129 ∘ 255	Clockwise rotation, slow to fast
	12	Continuous Tilt 5	000	No function
			001 ∘ 127	Counterclockwise rotation, slow to fast
			128	Stop
			129 ∘ 255	Clockwise rotation, slow to fast
13	Tilt Macro	000 ∘ 047	No function	
		048 ∘ 055	Tilt macro 1	
		056 ∘ 063	Tilt macro 2	
		064 ∘ 071	Tilt macro 3	
		072 ∘ 079	Tilt macro 4	
		080 ∘ 087	Tilt macro 5	
		088 ∘ 095	Tilt macro 6	
		096 ∘ 103	Tilt macro 7	
		104 ∘ 111	Tilt macro 8	
		112 ∘ 119	Tilt macro 9	
		120 ∘ 127	Tilt macro 10	
		128 ∘ 135	Tilt macro 11	
		136 ∘ 143	Tilt macro 12	
		144 ∘ 151	Tilt macro 13	
		152 ∘ 159	Tilt macro 14	
		160 ∘ 167	Tilt macro 15	
		168 ∘ 175	Tilt macro 16	
		176 ∘ 183	Tilt macro 17	
		184 ∘ 191	Tilt macro 18	
		192 ∘ 199	Tilt macro 19	
		200 ∘ 207	Tilt macro 20	
		208 ∘ 215	Tilt macro 21	
		216 ∘ 223	Tilt macro 22	
		224 ∘ 231	Tilt macro 23	
		232 ∘ 239	Tilt macro 24	
		240 ∘ 247	Tilt macro 25	
248 ∘ 255	Tilt macro 26			
14	Tilt Macro Speed	000 ∘ 255	Fast to slow	
15	Dimmer	000 ∘ 255	0–100%	

Standard Movement Mode (17CH cont.)	Channel	Function	Value	Percent/Setting
			000 019	Off
			020 024	On
			025 064	Strobe 1, fast to slow
			065 069	On
			070 084	Strobe 2 (Fast on, slow off) fast to slow
			085 089	On
			090 104	Strobe 3 (Slow on, fast off) fast to slow
			105 109	On
			110 124	Strobe 4 (Random) fast to slow
			125 129	On
			130 144	Strobe 5 (Random fast on, slow off) fast to slow
			145 149	On
			150 164	Strobe 6 (Random slow on, fast off) fast to slow
			165 169	On
			170 184	Strobe 7 (Pulse) fast to slow
			185 189	On
			190 204	Strobe 8 (Random pulse) fast to slow
			205 209	On
			210 224	Strobe 9 (Fade in, fade out) fast to slow
			225 229	On
			230 244	Strobe 10 (Random pulse) fast to slow
			245 255	On
	16	Shutter		

Standard Movement Mode	Channel	Function	Value	Percent/Setting
(17CH cont.)	17	Control	000 ∘ 009	No function
			010 ∘ 014	Manual tilt blackout
			015 ∘ 019	Cancel manual tilt blackout
			020 ∘ 024	1 fixture macro
			025 ∘ 029	2 fixture macro 1
			030 ∘ 034	2 fixture macro 2
			035 ∘ 039	4 fixture macro 1
			040 ∘ 044	4 fixture macro 2
			045 ∘ 049	4 fixture macro 3
			050 ∘ 054	4 fixture macro 4
			055 ∘ 059	Pan reset
			060 ∘ 064	Tilt reset
			065 ∘ 069	No function (reserved for future use)
			070 ∘ 074	Reset all
			075 ∘ 079	No function (reserved for future use)
			080 ∘ 084	Pan/Tilt reverse
			085 ∘ 089	Pan reverse
			090 ∘ 094	Tilt reverse
			095 ∘ 099	Cancel pan reverse
			100 ∘ 104	Cancel tilt reverse
			105 ∘ 109	Cancel pan/tilt reverse
			110 ∘ 114	No function (reserved for future use)
			115 ∘ 119	Link all heads to head 1
120 ∘ 124	Unlink all heads from head 1			
125 ∘ 129	No function (reserved for future use)			
130 ∘ 134	No function (reserved for future use)			
135 ∘ 139	Dimmer speed mode fast			
140 ∘ 144	Dimmer speed mode smooth			
145 ∘ 255	No function			

Basic Movement Mode	Channel	Function	Value	Percent/Setting
(10CH)	1	Pan	000 ∘ 255	0–100%
	2	Continuous Pan	000	No function
			001 ∘ 127	Counterclockwise rotation, slow to fast
			128	Stop
	3	Tilt All	129 ∘ 255	Clockwise rotation, slow to fast
			000 ∘ 255	0–100%
			000	No function
	4	Continuous Tilt All	001 ∘ 127	Counterclockwise rotation, slow to fast
			128	Stop
			129 ∘ 255	Clockwise rotation, slow to fast
	5	Tilt Offset	000 ∘ 255	Offset heads from each other, 0–360°

Basic Movement Mode (10CH cont.)	Channel	Function	Value	Percent/Setting
6	Tilt Macro	000	047	No function
		048	055	Tilt macro 1
		056	063	Tilt macro 2
		064	071	Tilt macro 3
		072	079	Tilt macro 4
		080	087	Tilt macro 5
		088	095	Tilt macro 6
		096	103	Tilt macro 7
		104	111	Tilt macro 8
		112	119	Tilt macro 9
		120	127	Tilt macro 10
		128	135	Tilt macro 11
		136	143	Tilt macro 12
		144	151	Tilt macro 13
		152	159	Tilt macro 14
		160	167	Tilt macro 15
		168	175	Tilt macro 16
		176	183	Tilt macro 17
		184	191	Tilt macro 18
		192	199	Tilt macro 19
		200	207	Tilt macro 20
		208	215	Tilt macro 21
		216	223	Tilt macro 22
		224	231	Tilt macro 23
		232	239	Tilt macro 24
		240	247	Tilt macro 25
248	255	Tilt macro 26		
7	Tilt Macro Speed	000	255	Fast to slow
8	Dimmer	000	255	0–100%
9	Shutter	000	019	Off
		020	024	On
		025	064	Strobe 1, fast to slow
		065	069	On
		070	084	Strobe 2 (Fast on, slow off) fast to slow
		085	089	On
		090	104	Strobe 3 (Slow on, fast off) fast to slow
		105	109	On
		110	124	Strobe 4 (Random) fast to slow
		125	129	On
		130	144	Strobe 5 (Random fast on, slow off) fast to slow
		145	149	On
		150	164	Strobe 6 (Random slow on, fast off) fast to slow
		165	169	On
		170	184	Strobe 7 (Pulse) fast to slow
		185	189	On
		190	204	Strobe 8 (Random pulse) fast to slow
		205	209	On
		210	224	Strobe 9 (Fade in, fade out) fast to slow
		225	229	On
230	244	Strobe 10 (Random pulse) fast to slow		
245	255	On		

Basic	Channel	Function	Value	Percent/Setting
Movement Mode (10CH cont.)	10	Control	000ó009	No function
			010ó014	Manual tilt blackout
			015ó019	Cancel manual tilt blackout
			020ó024	1 fixture macro
			025ó029	2 fixture macro 1
			030ó034	2 fixture macro 2
			035ó039	4 fixture macro 1
			040ó044	4 fixture macro 2
			045ó049	4 fixture macro 3
			050ó054	4 fixture macro 4
			055ó059	Pan reset
			060ó064	Tilt reset
			065ó069	No function (reserved for future use)
			070ó074	Reset all
			075ó079	No function (reserved for future use)
			080ó084	Pan/Tilt reverse
			085ó089	Pan reverse
			090ó094	Tilt reverse
			095ó099	Cancel pan reverse
			100ó104	Cancel tilt reverse
			105ó109	Cancel pan/tilt reverse
			110ó114	No function (reserved for future use)
			115ó119	Link all heads to head 1
			120ó124	Unlink all heads from head 1
			125ó129	No function (reserved for future use)
			130ó134	No function (reserved for future use)
			135ó139	Dimmer speed mode fast
140ó144	Dimmer speed mode smooth			
145ó255	No function			

Dual Control Pixel Values

RGBW Mode	Channel	Function	Value	Percent/Setting
(20CH)	1	Head 1 Red	000○255	RGBW mode: 0–100% / CMY mode: 100%–0
	2	Head 1 Green	000○255	RGBW mode: 0–100% / CMY mode: 100%–0
	3	Head 1 Blue	000○255	RGBW mode: 0–100% / CMY mode: 100%–0
	4	Head 1 White	000○255	RGBW mode: 0–100% / CMY mode: 100%–0
	5	Head 2 Red	000○255	RGBW mode: 0–100% / CMY mode: 100%–0
	6	Head 2 Green	000○255	RGBW mode: 0–100% / CMY mode: 100%–0
	7	Head 2 Blue	000○255	RGBW mode: 0–100% / CMY mode: 100%–0
	8	Head 2 White	000○255	RGBW mode: 0–100% / CMY mode: 100%–0
	9	Head 3 Red	000○255	RGBW mode: 0–100% / CMY mode: 100%–0
	10	Head 3 Green	000○255	RGBW mode: 0–100% / CMY mode: 100%–0
	11	Head 3 Blue	000○255	RGBW mode: 0–100% / CMY mode: 100%–0
	12	Head 3 White	000○255	RGBW mode: 0–100% / CMY mode: 100%–0
	13	Head 4 Red	000○255	RGBW mode: 0–100% / CMY mode: 100%–0
	14	Head 4 Green	000○255	RGBW mode: 0–100% / CMY mode: 100%–0
	15	Head 4 Blue	000○255	RGBW mode: 0–100% / CMY mode: 100%–0
	16	Head 4 White	000○255	RGBW mode: 0–100% / CMY mode: 100%–0
	17	Head 5 Red	000○255	RGBW mode: 0–100% / CMY mode: 100%–0
	18	Head 5 Green	000○255	RGBW mode: 0–100% / CMY mode: 100%–0
	19	Head 5 Blue	000○255	RGBW mode: 0–100% / CMY mode: 100%–0
	20	Head 5 White	000○255	RGBW mode: 0–100% / CMY mode: 100%–0

RGB Mode	Channel	Function	Value	Percent/Setting
(15CH)	1	Head 1 Red	000○255	RGBW mode: 0–100% / CMY mode: 100%–0
	2	Head 1 Green	000○255	RGBW mode: 0–100% / CMY mode: 100%–0
	3	Head 1 Blue	000○255	RGBW mode: 0–100% / CMY mode: 100%–0
	4	Head 2 Red	000○255	RGBW mode: 0–100% / CMY mode: 100%–0
	5	Head 2 Green	000○255	RGBW mode: 0–100% / CMY mode: 100%–0
	6	Head 2 Blue	000○255	RGBW mode: 0–100% / CMY mode: 100%–0
	7	Head 3 Red	000○255	RGBW mode: 0–100% / CMY mode: 100%–0
	8	Head 3 Green	000○255	RGBW mode: 0–100% / CMY mode: 100%–0
	9	Head 3 Blue	000○255	RGBW mode: 0–100% / CMY mode: 100%–0
	10	Head 4 Red	000○255	RGBW mode: 0–100% / CMY mode: 100%–0
	11	Head 4 Green	000○255	RGBW mode: 0–100% / CMY mode: 100%–0
	12	Head 4 Blue	000○255	RGBW mode: 0–100% / CMY mode: 100%–0
	13	Head 5 Red	000○255	RGBW mode: 0–100% / CMY mode: 100%–0
	14	Head 5 Green	000○255	RGBW mode: 0–100% / CMY mode: 100%–0
	15	Head 5 Blue	000○255	RGBW mode: 0–100% / CMY mode: 100%–0

Acerca de esta Guía

La Guía de Referencia Rápida (GRR) del Rogue R1 FX-B contiene información básica sobre el producto, como conexión, montaje, opciones de menú y valores DMX. Descargue el Manual de Usuario de www.chauvetprofessional.com para información más detallada.

Exención de Responsabilidad

La información y especificaciones contenidas en esta GRR están sujetas a cambio sin previo aviso.

Notas de Seguridad

- NO abra este producto. No contiene piezas reparables por el usuario.
- NO mire a la fuente de luz cuando el producto esté encendido.
- Para evitar un desgaste innecesario y alargar su vida útil, desconecte completamente el producto de la alimentación, mediante el interruptor o desenchufándolo, durante los periodos en los que no se use.
- CUIDADO: cuando transfiera el producto desde ambientes con temperatura extrema (p. ej., del remolque frío de un camión a una sala de baile con calor y humedad), puede formarse condensación en la electrónica interna del producto. Para evitar que se produzca una avería, deje que el producto se aclimate completamente al ambiente antes de conectar la alimentación.
- CUIDADO: La carcasa de este producto puede estar caliente cuando las luces están en funcionamiento.
- Monte este producto en una ubicación con ventilación adecuada, al menos a 20" (50 cm) de superficies adyacentes.
- NO deje ningún material inflamable a menos de 50 cm de este producto mientras esté funcionando o conectado a la alimentación.
- USE un cable de seguridad cuando monte este producto en lo alto.
- NO ponga en funcionamiento este producto en el exterior o en cualquier ubicación en la que el polvo, calor excesivo, agua o humedad puedan afectarlo. (IP20)
- NO ponga en funcionamiento este producto si sospecha que la carcasa, lentes o cables están dañados.
- NO conecte este producto a un atenuador o reostato.
- Conecte este producto SOLO a un circuito con toma de tierra y protegido.
- Use SOLAMENTE los soportes de montaje o las asas para mover este producto. NO lo transporte agarrando por la cabeza móvil.
- En caso de un problema grave de funcionamiento, deje de usarlo inmediatamente.
- La temperatura ambiente máxima es de 113 °F (45 °C). No haga funcionar este producto a temperaturas más altas.

Contacto

Fuera de EE.UU., Reino Unido, Irlanda, México, o Benelux póngase en contacto con su distribuidor para solicitar asistencia o devolver el producto. Desde dentro de EE.UU., Reino Unido, Irlanda, México o Benelux, utilice la información de [Contact Us](#) del final de esta GRR.

Qué va Incluido

- Rogue R1 FX-B
- Tarjeta de garantía
- Cable de alimentación Neutrik® powerCON®
- Guía de Referencia Rápida
- 2 soportes Omega con material de montaje

Corriente alterna

Este producto tiene una fuente de alimentación con detección automática que puede funcionar con un rango de tensión de entrada de 100–240 VCA, 50/60 Hz.



Para evitar un desgaste innecesario y alargar su vida útil, desconecte completamente el producto de la alimentación, mediante el interruptor o desenchufándolo, durante los periodos en los que no se use.

Alimentación en Cadena Puede enlazar hasta 8 productos Rogue R1 FX-B a 120 V, 14 productos a 208 V o 15 productos a 230 V. Nunca sobrepase este número. Los cables de alimentación en cadena se pueden adquirir por separado.

Enchufe CA	Conexión	Cable (EE.UU.)	Cable (Europa)	Color del tornillo
	CA Cargado	Negro	Marrón	Amarillo/Latón
	CA Neutro	Blanco	Azul	Plata
	CA Tierra	Verde/Amarillo	Verde/Amarillo	Verde

- Sustitución del Fusible**
1. Desconecte este producto de la alimentación.
 2. Utilizando un destornillador plano, desatorille la tapa del portafusibles de la carcasa.
 3. Quite el fusible fundido del portafusibles y sustitúyalo con uno nuevo del mismo tipo y categoría.
 4. Vuelva a atornillar la tapa del portafusibles en su sitio y conecte de nuevo la alimentación.

Conexiones de señal Puede enlazar el Rogue R1 FX-B a un controlador o software controlador usando una conexión DMX, una conexión Ethernet o ambas. Si está usando otros productos compatibles con Art-Net™, sACN o Kling-Netcon, el Rogue R1 FX-B puede controlar cada uno individualmente en una sola red. Consulte el Manual de usuario para obtener información sobre cómo conectar y configurar el producto para estas señales.

Personalidades de control El Rogue R1 FX-B utiliza DMX, Art-Net™, sACN y Kling-Net para sus personalidades de control:

Single Control	Dual Control Movement	Dual Control Pixel
Tour (52-canal)		
Tour (47-canal)		
Advanced (47-canal)	Advanced (23-canal)	RGBW (20-canal)
Standard (25-canal)	Standard (17-canal)	RGB (15-canal)
Basic (18-canal)	Basic (10-canal)	Utiliza DMX, Art-Net, sACN, o Kling-Net
Utiliza DMX, Art-Net™, o sACN		

Conexión DMX El Rogue R1 FX-B funcionará con un controlador DMX usando una conexión de datos DMX de 3 o 5 pines. Hay un Manual DMX disponible en www.chauvetprofessional.com.

Conexión Art-Net™ Art-Net™ es un protocolo Ethernet que utiliza TCP/IP para transferir gran cantidad de datos DMX512 usando una conexión etherCON RJ45 sobre una red de gran tamaño. Hay disponible un documento sobre el protocolo Art-Net™ desde www.chauvetprofessional.com. Chauvet Professional recomienda la utilización de modo Unicast para mejores resultados. Art-Net™ diseñado y copyright por Artistic Licence Holdings Ltd.

Conexión sACN También conocido como ANSI E1.31, el streaming ACN es un protocolo Ethernet que usa las capas y formato de *Architecture for Control Networks* (arquitectura para redes de control) para transportar datos DMX512 sobre IP o cualquier otra red compatible con ACN. El mantenimiento de ACN corre a cargo de la Professional Lighting and Sound Association (Asociación de Sonido e Iluminación Profesional, PLASA).

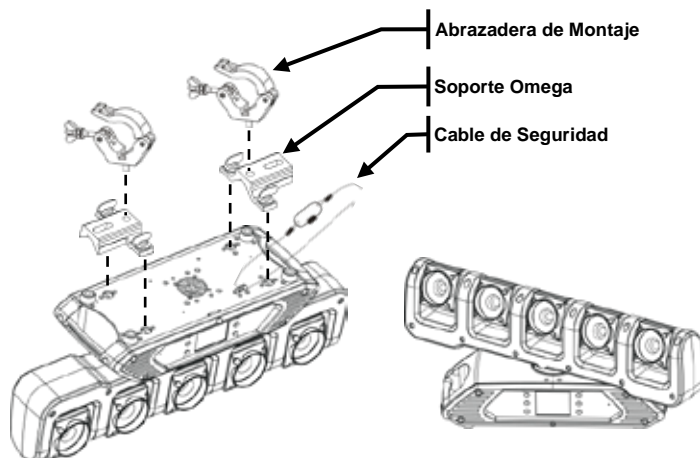
Conexión Kling-Net Kling-Net es un protocolo de red que permite la autoconfiguración de los dispositivos de imagen usando una conexión Ethernet etherCON RJ45. Consulte el manual del software ArKaos para instrucciones detalladas sobre la programación de este producto.



Para un funcionamiento fluido, ArKaos Kling-Net precisa una tarjeta Ethernet a gigabit (1000 Mbps) y un router de red.

Montaje Antes de montar este producto, lea las [Notas de Seguridad](#). Utilice al menos dos puntos de montaje por producto. Asegúrese de que las abrazaderas de montaje son capaces de soportar el peso del producto. Para nuestra línea Chauvet de abrazaderas de montaje, visite <http://trusst.com/products/>.

Diagrama de Montaje del Producto



Montaje en Altura

Montaje en el Suelo

Panel de control con pantalla táctil

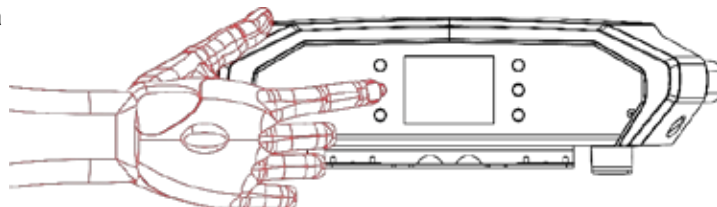
El Rogue R1 FX-B dispone de una pantalla táctil y de 6 botones de control. La pantalla táctil se puede bloquear y calibrar a través de las opciones de **Setup** (configuración) en el menú.

Descripción del Panel de Control

Botón	Función
< ↑ >	Navega hacia arriba por la lista de menú o aumenta el valor numérico cuando está en una función
< ☰ >	Sale del menú o función actual
< ↓ >	Navega hacia abajo por la lista de menú o disminuye el valor numérico cuando está en una función
< ← >	Navega hacia la izquierda por la lista de menú
< ↶ >	Habilita el menú actualmente en pantalla o configura el valor seleccionado actualmente dentro de la función seleccionada
< → >	Navega hacia la derecha por la lista de menú

Pantalla alimentada con batería

Pulse y mantenga pulsado hasta que aparezca la pantalla de menú (aprox. 15 s).



Mapa de Menú

Niveles de Programación				Descripción		
Control Settings				Control Settings Nivel Principal		
Single Control	DMX	Personality	Basic	Configura la personalidad DMX Básica (18CH), Estándar (25CH), Avanzada (47CH) Tour (47CH) o Tour 2 (52CH)		
			Standard			
			Advanced			
			Tour			
			Tour 2			
		Start Address	001-512	Configura la dirección DMX de inicio		
	ArtNet	Personality	Basic	Configura la personalidad Art-Net™ Básica (18CH), Estándar (25CH), Avanzada (47CH) Tour (47CH) o Tour 2 (52CH)		
			Standard			
			Advanced			
			Tour			
			Tour 2			
		Start Address	001-512	Configura la dirección Art-Net™ de inicio		
		Universe	0-254	Configura el universo Art-Net™		
	sACN	Personality	Basic	Configura la personalidad sACN Básica (18CH), Estándar (25CH), Avanzada (47CH) Tour (47CH) o Tour 2 (52CH)		
			Standard			
Advanced						
Tour						
Tour 2						
	Start Address	001-512	Configura la dirección sACN de inicio			
	Universe	0-255	Configura el universo sACN			
Control Settings	Dual Control	Movement	DMX	Personality	Basic	Configura la personalidad DMX Básica (10CH), Estándar (17CH) o Avanzada (23CH)
					Standard	
					Advanced	
				Start Address	001-512	Configura la dirección DMX de inicio
			ArtNet	Personality	Basic	Configura la personalidad Art-Net™ Básica (10CH), Estándar (17CH) o Avanzada (23CH)
				Standard		
				Advanced		
		Start Address		001-512	Configura la dirección Art-Net™ de inicio	
			Universe	0-254	Configura el universo Art-Net™	
		sACN	Personality	Basic	Configura la personalidad sACN Básica (10CH), Estándar (17CH) o Avanzada (23CH)	
				Standard		
				Advanced		
			Start Address	001-512		Configura la dirección sACN de inicio
			Universe	0-255	Configura el universo sACN	
		Pixels	DMX	Personality	RGB	Configura la personalidad DMX RGB (15CH) o RGBA (20CH)
				RGBW		
	Start Address			001-512	Configura la dirección DMX de inicio	
	ArtNet		Personality	RGB	Configura la personalidad Art-Net™ RGB (15CH) o RGBA (20CH)	
				RGBW		
			Start Address	001-512		Configura la dirección Art-Net™ de inicio
			Universe	0-254		Configura el universo Art-Net™
	sACN		Personality	RGB	Configura la personalidad sACN RGB (15CH) o RGBA (20CH)	
				RGBW		
			Start Address	001-512		Configura la dirección sACN de inicio
			Universe	0-255		Configura el universo sACN
	KlingNet		Personality	RGB	Configura la personalidad Kling-Net RGB (15CH) o RGBA (20CH)	
		RGBW				

Nota: En el modo Dual Control, el protocolo de movimiento y el protocolo de píxel no pueden ser el mismo.

Mapa de Menú (cont.)

Niveles de Programación		Descripción	
Test Mode		Test Mode Nivel Principal	
Test Mode	Auto test	Prueba automática de todas las funciones	
	Manual test	Pan	000-255
		Pan Speed	
		Pan 360	
		Tilt 1	
		Tilt 2	
		Tilt 3	
		Tilt 4	
		Tilt 5	
		Tilt Speed	
		Tilt 1 360	
		Tilt 2 360	
		Tilt 3 360	
		Tilt 4 360	
		Tilt 5 360	
		Dimmer	
		Shutter	
		Red	
Green			
Blue			
White			
Color			
LED Macro			
LED Macro Speed			
Setup		Setup Nivel Principal	
Network Settings	IP Mode	Manual	Configurar la dirección IP manualmente
		DHCP	La red configura la dirección IP
		Static	El producto configura la dirección IP
	IP	xxx.xxx.xxx.xxx	Configurar la dirección IP en modo Manual
SubMask	xxx.xxx.xxx.xxx	Configurar la máscara de subred en modo Manual	
Setup	Pan Reverse	NO	Desplazamiento lateral normal
		YES	Desplazamiento lateral inversa
	Tilt Reverse	NO	Inclinación normal
		YES	Inclinación inversa
	Screen Reverse	NO	Pantalla normal
		YES	Pantalla inversa
		AUTO	Orientación de pantalla automático
	Pan Angle	540	Rango de desplazamiento lateral: 540°
		360	Rango de desplazamiento lateral: 360°
		180	Rango de desplazamiento lateral: 180°
	Tilt Angle	540	Rango de inclinación: 540°
		270	Rango de inclinación: 360°
180		Rango de inclinación: 180°	
BL. O. P/T Move	NO	No ir a blackout mientras hay movimiento panorámico/inclinación	
	YES	Ir a blackout mientras hay movimiento panorámico/inclinación	

Mapa de Menú (cont.)

Niveles de Programación			Descripción	
Setup (cont.)			Setup Nivel Principal (cont.)	
Calibration	NO		Mantener la configuración actual	
	YES		Calibrar la pantalla táctil	
Touchscreen Lock	NO		La pantalla responden al toque	
	YES		La pantalla no responde al toque	
Lock Screen	NO		Bloqueo los botones y pantalla táctil	
	YES		Contraseña: 0920	
Backlight Timer	30S		La pantalla se apaga a los 30 segundos	
	1M		La pantalla se apaga al cabo de 1 minuto	
	5M		La pantalla se apaga al cabo de 5 minutos	
	ON		La pantalla permanece encendida	
Loss of Data	Hold		Mantiene la última señal recibida	
	Close		Pone el dispositivo en blackout	
C Mixing Mode	RGBW		Mezcla de color aditivo (0–100%)	
	CMY		Mezcla de color sustractivo (100%–0)	
Dimmer Curve	Linear		Configura la curva del atenuador	
	Square			
	I Squa			
	SCurve			
Dimmer Speed	Smooth		Cambia la velocidad del atenuador	
	Fast			
PWM Option	600Hz		Selecciona la frecuencia de emisión PWM	
	1200Hz			
	2000Hz			
	4000Hz			
	6000Hz			
Color Balance	Red	100–255	Configura el valor máximo del LED rojo	
	Green		Configura el valor máximo del LED verde	
	Blue		Configura el valor máximo del LED azul	
	White		Configura el valor máximo del LED rojo	
Preset Select	PRESET A		Opciones de menú preconfiguradas grabadas	
	PRESET B			
	PRESET C			
Preset Sync	NO		Permite transferir las opciones de menú preconfiguradas grabadas a otros Rogue R1 FXB de la cadena DMX	
	YES			
Reset Function	Pan	NO	Restablece las funciones individuales o todas las funciones desde el arranque	
		YES		
	Tilt	NO		
		YES		
	All	NO		
YES				
Factory Settings	NO		Restablece el dispositivo a la configuración de fábrica	
	YES			
Sys Info			Sys Info Nivel Principal	
Sys Info	Fixture Information	Ver	VX	Muestra la versión de firmware
		Running Mode	Xxx	Muestra el modo de ejecución actual
		DMX Address	xxx	Muestra la dirección de inicio actual
		Temperature	xx	Muestra la temperatura actual del producto en °C
		Fixture Hours	xxxxx	Muestra el número de horas que el producto ha estado encendido
		IP	xxx.xxx.xxx.xxx	Muestra la dirección IP actual

Mapa de Menú (cont.)

Niveles de Programación		Descripción
Sys Info (cont.)		Sys Info Nivel Principal (cont.)
Fixture Information	SubMask	xxx.xxx.xxx.xxx
	MAC	xx.xx.xx.xx.xx.xx
Error Information	No Error!* Muestra cualquier error o "No Error!"	
Sys Info (cont.) Channel Information	Frequency	xxx
	Pan	
	Pan Fine	
	Pan 360	
	Tilt 1	
	Tilt 1 Fine	
	Tilt 2	
	Tilt 2 Fine	
	Tilt 3	
	Tilt 3 Fine	
	Tilt 4	
	Tilt 4 Fine	
	Tilt 5	
	Tilt 5 Fine	
	Tilt 1 360	
	Tilt 2 360	
	Tilt 3 360	
	Tilt 4 360	
	Tilt 5 360	
	Y Macro	
	Y Macro Speed	
	Function	
	Dimmer	
	Shutter	
	Color	
	Lamp Number	
	LED Macro	
	LED Ma. Speed	
	Red 1	
	Green 1	
	Blue 1	
	White 1	
	Red 2	
	Green 2	
	Blue 2	
	White 2	
	Red 3	
	Green 3	
	Blue 3	
	White 3	
Red 4		
Green 4		
Blue 4		
White 4		
Red 5		
Green 5		
Blue 5		
White 5		

Muestra todos los valores actuales de las señales de entrada, 000-255

Valores "Single Control"

Tour 2 (52CH)	Canal	Función	Valor	Porcentaje/Configuración
	1	Desplazamiento Lateral	000 ó 255	0–100%
	2	Desplazamiento Lateral Fino	000 ó 255	0–100%
	3	Desplazamiento lateral continua	000 001 ó 127 128 129 ó 255	Sin función Rotación en el sentido antihorario, lenta a rápida Detener Rotación en sentido horario, lenta a rápida
	4	Macro de inclinación	000 ó 047 048 ó 055 056 ó 063 064 ó 071 072 ó 079 080 ó 087 088 ó 095 096 ó 103 104 ó 111 112 ó 119 120 ó 127 128 ó 135 136 ó 143 144 ó 151 152 ó 159 160 ó 167 168 ó 175 176 ó 183 184 ó 191 192 ó 199 200 ó 207 208 ó 215 216 ó 223 224 ó 231 232 ó 239 240 ó 247 248 ó 255	Sin función Macro de inclinación 1 Macro de inclinación 2 Macro de inclinación 3 Macro de inclinación 4 Macro de inclinación 5 Macro de inclinación 6 Macro de inclinación 7 Macro de inclinación 8 Macro de inclinación 9 Macro de inclinación 10 Macro de inclinación 11 Macro de inclinación 12 Macro de inclinación 13 Macro de inclinación 14 Macro de inclinación 15 Macro de inclinación 16 Macro de inclinación 17 Macro de inclinación 18 Macro de inclinación 19 Macro de inclinación 20 Macro de inclinación 21 Macro de inclinación 22 Macro de inclinación 23 Macro de inclinación 24 Macro de inclinación 25 Macro de inclinación 26
	5	Velocidad de macro de inclinación	000 ó 255	Rápida a lenta

Tour 2 (52CH cont.)	Canal	Función	Valor	Porcentaje/Configuración
6	Control	000	009	Sin función
		010	014	Blackout de inclinación manual
		015	019	Cancelar blackout de inclinación manual
		020	024	Macro 1 dispositivo
		025	029	Macro 1, 2 dispositivos
		030	034	Macro 2, 2 dispositivos
		035	039	Macro 4, 1 dispositivos
		040	044	Macro 4, 2 dispositivos
		045	049	Macro 4, 3 dispositivos
		050	054	Macro 4, 4 dispositivos
		055	059	Reiniciar desplazamiento lateral
		060	064	Reiniciar inclinación
		065	069	Sin función (reservado para usos futuros)
		070	074	Reiniciar todo
		075	079	Sin función (reservado para usos futuros)
		080	084	Invertir movimiento panorámico/inclinación
		085	089	Invertir movimiento panorámico
		090	094	Invertir inclinación
		095	099	Cancelar invertir movimiento panorámico
		100	104	Cancelar invertir inclinación
		105	109	Cancelar invertir movimiento panorámico/inclinación
		110	114	Sin función (reservado para usos futuros)
		115	119	Vincular todas las cabezas a la cabeza 1
120	124	Desvincular todas las cabezas de la cabeza 1		
125	129	Sin función (reservado para usos futuros)		
130	134	Sin función (reservado para usos futuros)		
135	139	Modo velocidad del atenuador rápido		
140	144	Modo velocidad del atenuador suave		
145	255	Sin función		
7	Atenuador	000	255	0–100%
8	Obturador	000	019	Apagado
		020	024	Encendido
		025	064	Rápido a lento
		065	069	Encendido
		070	084	Encendido rápido, apagado lento, rápido a lento
		085	089	Encendido
		090	104	Encendido lento, apagado rápido, rápido a lento
		105	109	Encendido
		110	124	Aleatorio rápido a lento
		125	129	Encendido
		130	144	Encendido rápido aleatorio, apagado lento, rápido a lento
		145	149	Encendido
		150	164	Encendido lento aleatorio, apagado rápido, rápido a lento
		165	169	Encendido
		170	184	Pulso, rápido a lento
		185	189	Encendido
		190	204	Pulso aleatorio, rápido a lento
		205	209	Encendido
		210	224	<i>Fade in, fade out</i> , rápido a lento
		225	229	Encendido
		230	244	Pulso aleatorio, rápido a lento
		245	255	Encendido

Tour 2 (52CH cont.)	Canal	Función	Valor	Porcentaje/Configuración
			000 ó 013	Sin función
			014 ó 020	Color 1
			021 ó 028	Color 2
			029 ó 036	Color 3
			037 ó 044	Color 4
			045 ó 052	Color 5
			053 ó 060	Color 6
			061 ó 068	Color 7
			069 ó 076	Color 8
			077 ó 084	Color 9
			085 ó 092	Color 10
			093 ó 100	Color 11
			101 ó 108	Color 12
			109 ó 116	Color 13
			117 ó 124	Color 14
			125 ó 133	Color 15
			134 ó 185	Sin función
			186 ó 207	Efecto arco iris, rápido a lento
			208 ó 213	Parada
			214 ó 235	Invertir efecto arco iris, rápido a lento
			236 ó 240	Sin función
			241 ó 255	Salto de color, rápido a lento

Tour 2 (52CH cont.)	Canal	Función	Valor	Porcentaje/Configuración				
				Cabeza 1	Cabeza 2	Cabeza 3	Cabeza 4	Cabeza 5
			000 ó 005	●	●	●	●	●
			006 ó 011	○	●	●	●	●
			012 ó 017	○	○	●	●	●
			018 ó 023	○	○	○	●	●
			024 ó 029	○	○	○	○	●
			030 ó 035	○	○	○	○	○
			036 ó 041	●	○	○	○	○
			042 ó 047	●	●	○	○	○
			048 ó 053	●	●	●	○	○
			054 ó 059	●	●	●	●	○
			060 ó 065	●	●	●	●	●
			066 ó 071	○	○	○	○	○
			072 ó 077	●	○	○	○	○
			078 ó 083	○	●	○	○	○
			084 ó 089	○	○	●	○	○
			090 ó 095	○	○	○	●	○
			096 ó 101	○	○	○	○	●
			102 ó 107	○	○	○	○	○
			108 ó 113	●	●	○	○	○
			114 ó 119	○	●	●	○	○
			120 ó 125	○	○	●	●	○
			126 ó 131	○	○	○	●	●
			132 ó 137	●	○	○	○	●
			138 ó 143	○	○	○	○	○
			144 ó 149	○	●	●	●	●
			150 ó 155	●	○	●	●	●
			156 ó 161	●	●	○	●	●
			162 ó 167	●	●	●	○	●
			168 ó 173	●	●	●	●	○
			174 ó 179	○	○	○	○	○
			180 ó 185	○	○	○	○	●
			186 ó 191	○	○	○	●	●
			192 ó 197	○	○	●	●	●
			198 ó 203	○	●	●	●	●
			204 ó 209	●	●	●	●	●
			210 ó 215	○	○	○	○	○
			216 ó 221	●	●	●	○	○
			222 ó 227	○	●	●	●	○
			228 ó 233	○	○	●	●	●
			234 ó 239	●	○	○	●	●
			240 ó 245	●	●	○	○	●
			246 ó 255	●	●	●	●	●

10

Preconfiguración
encendido/apagado

(● = encendido;

○ = apagado)

Tour 2	Canal	Función	Valor	Porcentaje/Configuración
(52CH cont.)	11	Macro LED/ Programa automático	000 ó 015	Sin función
			016 ó 020	Macro LED 1
			021 ó 025	Macro LED 2
			026 ó 030	Macro LED 3
			031 ó 035	Macro LED 4
			036 ó 040	Macro LED 5
			041 ó 045	Macro LED 6
			046 ó 050	Macro LED 7
			051 ó 055	Macro LED 8
			056 ó 060	Macro LED 9
			061 ó 065	Macro LED 10
			066 ó 070	Macro LED 11
			071 ó 075	Macro LED 12
			076 ó 080	Macro LED 13
			081 ó 085	Macro LED 14
			086 ó 090	Macro LED 15
			091 ó 095	Macro LED 16
			096 ó 100	Macro LED 17
			101 ó 105	Macro LED 18
			106 ó 110	Macro LED 19
			111 ó 115	Macro LED 20
			116 ó 120	Macro LED 21
			121 ó 125	Macro LED 22
			126 ó 130	Macro LED 23
			131 ó 135	Macro LED 24 (Ciclo 1–23)
			136 ó 140	Programa automático 1
			141 ó 145	Programa automático 2
			146 ó 150	Programa automático 3
			151 ó 155	Programa automático 4
			156 ó 160	Programa automático 5
			161 ó 165	Programa automático 6
			166 ó 170	Programa automático 7
			171 ó 175	Programa automático 8
			176 ó 180	Programa automático 9
181 ó 185	Programa automático 10			
186 ó 190	Programa automático 11			
191 ó 195	Programa automático 12			
196 ó 200	Programa automático 13			
201 ó 205	Programa automático 14			
206 ó 210	Programa automático 15			
211 ó 215	Programa automático 16			
216 ó 220	Programa automático 17			
221 ó 225	Programa automático 18			
226 ó 230	Programa automático 19			
231 ó 235	Programa automático 20			
236 ó 240	Programa automático 21			
241 ó 245	Programa automático 22			
246 ó 250	Programa automático 23			
251 ó 255	Programa automático 24 (Ciclo 1–23)			
12	Velocidad de macro LED	000 ó 255	Lenta a rápida	

Tour 2	Canal	Función	Valor	Porcentaje/Configuración
(52CH cont.)	13	Inclinación 1	000 ó 255	0–100%
	14	Inclinación Fina 1	000 ó 255	0–100%
	15	Inclinación continua 1	000 001 ó 127 128 129 ó 255	Sin función Rotación en el sentido antihorario, lenta a rápida Detener Rotación en sentido horario, lenta a rápida
	16	Cabeza 1 Atenuador	000 ó 255	0–100%
	17	Cabeza 1 rojo	000 ó 255	Modo RGBW: 0–100% / Modo CMY: 100%–0
	18	Cabeza 1 verde	000 ó 255	Modo RGBW: 0–100% / Modo CMY: 100%–0
	19	Cabeza 1 azul	000 ó 255	Modo RGBW: 0–100% / Modo CMY: 100%–0
	20	Cabeza 1 blanco	000 ó 255	Modo RGBW: 0–100% / Modo CMY: 100%–0
	21	Inclinación 2	000 ó 255	0–100%
	22	Inclinación Fina 2	000 ó 255	0–100%
	23	Inclinación continua 2	000 001 ó 127 128 129 ó 255	Sin función Rotación en el sentido antihorario, lenta a rápida Detener Rotación en sentido horario, lenta a rápida
	24	Cabeza 2 Atenuador	000 ó 255	0–100%
	25	Cabeza 2 rojo	000 ó 255	Modo RGBW: 0–100% / Modo CMY: 100%–0
	26	Cabeza 2 verde	000 ó 255	Modo RGBW: 0–100% / Modo CMY: 100%–0
	27	Cabeza 2 azul	000 ó 255	Modo RGBW: 0–100% / Modo CMY: 100%–0
	28	Cabeza 2 blanco	000 ó 255	Modo RGBW: 0–100% / Modo CMY: 100%–0
	29	Inclinación 3	000 ó 255	0–100%
	30	Inclinación Fina 3	000 ó 255	0–100%
	31	Inclinación continua 3	000 001 ó 127 128 129 ó 255	Sin función Rotación en el sentido antihorario, lenta a rápida Detener Rotación en sentido horario, lenta a rápida
	32	Cabeza 3 Atenuador	000 ó 255	0–100%
	33	Cabeza 3 rojo	000 ó 255	Modo RGBW: 0–100% / Modo CMY: 100%–0
	34	Cabeza 3 verde	000 ó 255	Modo RGBW: 0–100% / Modo CMY: 100%–0
	35	Cabeza 3 azul	000 ó 255	Modo RGBW: 0–100% / Modo CMY: 100%–0
	36	Cabeza 3 blanco	000 ó 255	Modo RGBW: 0–100% / Modo CMY: 100%–0
	37	Cabeza 4 Atenuador	000 ó 255	0–100%
	38	Inclinación 4	000 ó 255	0–100%
	39	Inclinación Fina 4	000 ó 255	0–100%
	40	Inclinación continua 4	000 001 ó 127 128 129 ó 255	Sin función Rotación en el sentido antihorario, lenta a rápida Detener Rotación en sentido horario, lenta a rápida

Tour 2		Canal	Función	Valor	Porcentaje/Configuración
(52CH cont.)	41	Cabeza 4 rojo	000 ó 255	Modo RGBW: 0–100% / Modo CMY: 100%–0	
	42	Cabeza 4 verde	000 ó 255	Modo RGBW: 0–100% / Modo CMY: 100%–0	
	43	Cabeza 4 azul	000 ó 255	Modo RGBW: 0–100% / Modo CMY: 100%–0	
	44	Cabeza 4 blanco	000 ó 255	Modo RGBW: 0–100% / Modo CMY: 100%–0	
	45	Cabeza 5 Atenuador	000 ó 255	0–100%	
	46	Inclinación 5	000 ó 255	0–100%	
	47	Inclinación Fina 5	000 ó 255	0–100%	
	48	Inclinación continua 5	000 001 ó 127 128 129 ó 255	Sin función Rotación en el sentido antihorario, lenta a rápida Detener Rotación en sentido horario, lenta a rápida	
	49	Cabeza 5 rojo	000 ó 255	Modo RGBW: 0–100% / Modo CMY: 100%–0	
	50	Cabeza 5 verde	000 ó 255	Modo RGBW: 0–100% / Modo CMY: 100%–0	
51	Cabeza 5 azul	000 ó 255	Modo RGBW: 0–100% / Modo CMY: 100%–0		
52	Cabeza 5 blanco	000 ó 255	Modo RGBW: 0–100% / Modo CMY: 100%–0		
Tour (47CH)	Canal	Función	Valor	Porcentaje/Configuración	
	1	Desplazamiento Lateral	000 ó 255	0–100%	
	2	Desplazamiento Lateral Fino	000 ó 255	0–100%	
	3	Desplazamiento lateral continua	000 001 ó 127 128 129 ó 255	Sin función Rotación en el sentido antihorario, lenta a rápida Detener Rotación en sentido horario, lenta a rápida	
	4	Macro de inclinación	000 ó 047 048 ó 055 056 ó 063 064 ó 071 072 ó 079 080 ó 087 088 ó 095 096 ó 103 104 ó 111 112 ó 119 120 ó 127 128 ó 135 136 ó 143 144 ó 151 152 ó 159 160 ó 167 168 ó 175 176 ó 183 184 ó 191 192 ó 199 200 ó 207 208 ó 215 216 ó 223 224 ó 231 232 ó 239 240 ó 247 248 ó 255	Sin función Macro de inclinación 1 Macro de inclinación 2 Macro de inclinación 3 Macro de inclinación 4 Macro de inclinación 5 Macro de inclinación 6 Macro de inclinación 7 Macro de inclinación 8 Macro de inclinación 9 Macro de inclinación 10 Macro de inclinación 11 Macro de inclinación 12 Macro de inclinación 13 Macro de inclinación 14 Macro de inclinación 15 Macro de inclinación 16 Macro de inclinación 17 Macro de inclinación 18 Macro de inclinación 19 Macro de inclinación 20 Macro de inclinación 21 Macro de inclinación 22 Macro de inclinación 23 Macro de inclinación 24 Macro de inclinación 25 Macro de inclinación 26	
	5	Velocidad de macro de inclinación	000 ó 255	Rápida a lenta	

Tour (47CH cont.)	Canal	Función	Valor	Porcentaje/Configuración
6	Control	000	009	Sin función
		010	014	Blackout de inclinación manual
		015	019	Cancelar blackout de inclinación manual
		020	024	Macro 1 dispositivo
		025	029	Macro 1, 2 dispositivos
		030	034	Macro 2, 2 dispositivos
		035	039	Macro 4, 1 dispositivos
		040	044	Macro 4, 2 dispositivos
		045	049	Macro 4, 3 dispositivos
		050	054	Macro 4, 4 dispositivos
		055	059	Reiniciar desplazamiento lateral
		060	064	Reiniciar inclinación
		065	069	Sin función (reservado para usos futuros)
		070	074	Reiniciar todo
		075	079	Sin función (reservado para usos futuros)
		080	084	Invertir movimiento panorámico/inclinación
		085	089	Invertir movimiento panorámico
		090	094	Invertir inclinación
		095	099	Cancelar invertir movimiento panorámico
		100	104	Cancelar invertir inclinación
		105	109	Cancelar invertir movimiento panorámico/inclinación
		110	114	Sin función (reservado para usos futuros)
		115	119	Vincular todas las cabezas a la cabeza 1
120	124	Desvincular todas las cabezas de la cabeza 1		
125	129	Sin función (reservado para usos futuros)		
130	134	Sin función (reservado para usos futuros)		
135	139	Modo velocidad del atenuador rápido		
140	144	Modo velocidad del atenuador suave		
145	255	Sin función		
7	Atenuador	000	255	0–100%
8	Obturador	000	019	Apagado
		020	024	Encendido
		025	064	Rápido a lento
		065	069	Encendido
		070	084	Encendido rápido, apagado lento, rápido a lento
		085	089	Encendido
		090	104	Encendido lento, apagado rápido, rápido a lento
		105	109	Encendido
		110	124	Aleatorio rápido a lento
		125	129	Encendido
		130	144	Encendido rápido aleatorio, apagado lento, rápido a lento
		145	149	Encendido
		150	164	Encendido lento aleatorio, apagado rápido, rápido a lento
		165	169	Encendido
		170	184	Pulso, rápido a lento
		185	189	Encendido
		190	204	Pulso aleatorio, rápido a lento
		205	209	Encendido
		210	224	<i>Fade in, fade out</i> , rápido a lento
		225	229	Encendido
		230	244	Pulso aleatorio, rápido a lento
		245	255	Encendido

Tour (47CH cont.)	Canal	Función	Valor	Porcentaje/Configuración
			000 ó 013	Sin función
			014 ó 020	Color 1
			021 ó 028	Color 2
			029 ó 036	Color 3
			037 ó 044	Color 4
			045 ó 052	Color 5
			053 ó 060	Color 6
			061 ó 068	Color 7
			069 ó 076	Color 8
			077 ó 084	Color 9
			085 ó 092	Color 10
			093 ó 100	Color 11
			101 ó 108	Color 12
			109 ó 116	Color 13
			117 ó 124	Color 14
			125 ó 133	Color 15
			134 ó 185	Sin función
			186 ó 207	Efecto arco iris, rápido a lento
			208 ó 213	Parada
			214 ó 235	Invertir efecto arco iris, rápido a lento
			236 ó 240	Sin función
			241 ó 255	Salto de color, rápido a lento

Tour (47CH cont.)	Canal	Función	Valor	Porcentaje/Configuración				
				Cabeza 1	Cabeza 2	Cabeza 3	Cabeza 4	Cabeza 5
			000 ó 005	●	●	●	●	●
			006 ó 011	○	●	●	●	●
			012 ó 017	○	○	●	●	●
			018 ó 023	○	○	○	●	●
			024 ó 029	○	○	○	○	●
			030 ó 035	○	○	○	○	○
			036 ó 041	●	○	○	○	○
			042 ó 047	●	●	○	○	○
			048 ó 053	●	●	●	○	○
			054 ó 059	●	●	●	●	○
			060 ó 065	●	●	●	●	●
			066 ó 071	○	○	○	○	○
			072 ó 077	●	○	○	○	○
			078 ó 083	○	●	○	○	○
			084 ó 089	○	○	●	○	○
			090 ó 095	○	○	○	●	○
			096 ó 101	○	○	○	○	●
			102 ó 107	○	○	○	○	○
			108 ó 113	●	●	○	○	○
			114 ó 119	○	●	●	○	○
			120 ó 125	○	○	●	●	○
			126 ó 131	○	○	○	●	●
			132 ó 137	●	○	○	○	●
			138 ó 143	○	○	○	○	○
			144 ó 149	○	●	●	●	●
			150 ó 155	●	○	●	●	●
			156 ó 161	●	●	○	●	●
			162 ó 167	●	●	●	○	●
			168 ó 173	●	●	●	●	○
			174 ó 179	○	○	○	○	○
			180 ó 185	○	○	○	○	●
			186 ó 191	○	○	○	●	●
			192 ó 197	○	○	●	●	●
			198 ó 203	○	●	●	●	●
			204 ó 209	●	●	●	●	●
			210 ó 215	○	○	○	○	○
			216 ó 221	●	●	●	○	○
			222 ó 227	○	●	●	●	○
			228 ó 233	○	○	●	●	●
			234 ó 239	●	○	○	●	●
			240 ó 245	●	●	○	○	●
			246 ó 255	●	●	●	●	●

10

**Preconfiguración
encendido/apagado**
(● = encendido;
○ = apagado)

Tour (47CH cont.)	Canal	Función	Valor	Porcentaje/Configuración
			000 ó 015	Sin función
			016 ó 020	Macro LED 1
			021 ó 025	Macro LED 2
			026 ó 030	Macro LED 3
			031 ó 035	Macro LED 4
			036 ó 040	Macro LED 5
			041 ó 045	Macro LED 6
			046 ó 050	Macro LED 7
			051 ó 055	Macro LED 8
			056 ó 060	Macro LED 9
			061 ó 065	Macro LED 10
			066 ó 070	Macro LED 11
			071 ó 075	Macro LED 12
			076 ó 080	Macro LED 13
			081 ó 085	Macro LED 14
			086 ó 090	Macro LED 15
			091 ó 095	Macro LED 16
			096 ó 100	Macro LED 17
			101 ó 105	Macro LED 18
			106 ó 110	Macro LED 19
			111 ó 115	Macro LED 20
			116 ó 120	Macro LED 21
			121 ó 125	Macro LED 22
			126 ó 130	Macro LED 23
	1	Macro LED/ Programa automático	131 ó 135	Macro LED 24 (Ciclo 1–23)
			136 ó 140	Programa automático 1
			141 ó 145	Programa automático 2
			146 ó 150	Programa automático 3
			151 ó 155	Programa automático 4
			156 ó 160	Programa automático 5
			161 ó 165	Programa automático 6
			166 ó 170	Programa automático 7
			171 ó 175	Programa automático 8
			176 ó 180	Programa automático 9
			181 ó 185	Programa automático 10
			186 ó 190	Programa automático 11
			191 ó 195	Programa automático 12
			196 ó 200	Programa automático 13
			201 ó 205	Programa automático 14
			206 ó 210	Programa automático 15
			211 ó 215	Programa automático 16
			216 ó 220	Programa automático 17
			221 ó 225	Programa automático 18
			226 ó 230	Programa automático 19
			231 ó 235	Programa automático 20
			236 ó 240	Programa automático 21
			241 ó 245	Programa automático 22
			246 ó 250	Programa automático 23
			251 ó 255	Programa automático 24 (Ciclo 1–23)
	12	Velocidad de macro LED	000 ó 255	Lenta a rápida

Tour (47CH cont.)	Canal	Función	Valor	Porcentaje/Configuración
	13	Inclinación 1	000 ó 255	0–100%
	14	Inclinación Fina 1	000 ó 255	0–100%
	15	Inclinación continua 1	000	Sin función
			001 ó 127	Rotación en el sentido antihorario, lenta a rápida
			128	Detener
			129 ó 255	Rotación en sentido horario, lenta a rápida
	16	Cabeza 1 rojo	000 ó 255	Modo RGBW: 0–100% / Modo CMY: 100%–0
	17	Cabeza 1 verde	000 ó 255	Modo RGBW: 0–100% / Modo CMY: 100%–0
	18	Cabeza 1 azul	000 ó 255	Modo RGBW: 0–100% / Modo CMY: 100%–0
	19	Cabeza 1 blanco	000 ó 255	Modo RGBW: 0–100% / Modo CMY: 100%–0
	20	Inclinación 2	000 ó 255	0–100%
	21	Inclinación Fina 2	000 ó 255	0–100%
	22	Inclinación continua 2	000	Sin función
			001 ó 127	Rotación en el sentido antihorario, lenta a rápida
			128	Detener
			129 ó 255	Rotación en sentido horario, lenta a rápida
	23	Cabeza 2 rojo	000 ó 255	Modo RGBW: 0–100% / Modo CMY: 100%–0
	24	Cabeza 2 verde	000 ó 255	Modo RGBW: 0–100% / Modo CMY: 100%–0
	25	Cabeza 2 azul	000 ó 255	Modo RGBW: 0–100% / Modo CMY: 100%–0
	26	Cabeza 2 blanco	000 ó 255	Modo RGBW: 0–100% / Modo CMY: 100%–0
	27	Inclinación 3	000 ó 255	0–100%
	28	Inclinación Fina 3	000 ó 255	0–100%
	29	Inclinación continua 3	000	Sin función
			001 ó 127	Rotación en el sentido antihorario, lenta a rápida
			128	Detener
			129 ó 255	Rotación en sentido horario, lenta a rápida
	30	Cabeza 3 rojo	000 ó 255	Modo RGBW: 0–100% / Modo CMY: 100%–0
	31	Cabeza 3 verde	000 ó 255	Modo RGBW: 0–100% / Modo CMY: 100%–0
	32	Cabeza 3 azul	000 ó 255	Modo RGBW: 0–100% / Modo CMY: 100%–0
	33	Cabeza 3 blanco	000 ó 255	Modo RGBW: 0–100% / Modo CMY: 100%–0
	34	Inclinación 4	000 ó 255	0–100%
	35	Inclinación Fina 4	000 ó 255	0–100%
	36	Inclinación continua 4	000	Sin función
			001 ó 127	Rotación en el sentido antihorario, lenta a rápida
			128	Detener
			129 ó 255	Rotación en sentido horario, lenta a rápida
	37	Cabeza 4 rojo	000 ó 255	Modo RGBW: 0–100% / Modo CMY: 100%–0
	38	Cabeza 4 verde	000 ó 255	Modo RGBW: 0–100% / Modo CMY: 100%–0
	39	Cabeza 4 azul	000 ó 255	Modo RGBW: 0–100% / Modo CMY: 100%–0
	40	Cabeza 4 blanco	000 ó 255	Modo RGBW: 0–100% / Modo CMY: 100%–0
	41	Inclinación 5	000 ó 255	0–100%
	42	Inclinación Fina 5	000 ó 255	0–100%
	43	Inclinación continua 5	000	Sin función
			001 ó 127	Rotación en el sentido antihorario, lenta a rápida
			128	Detener
			129 ó 255	Rotación en sentido horario, lenta a rápida
	44	Cabeza 5 rojo	000 ó 255	Modo RGBW: 0–100% / Modo CMY: 100%–0
	45	Cabeza 5 verde	000 ó 255	Modo RGBW: 0–100% / Modo CMY: 100%–0
	46	Cabeza 5 azul	000 ó 255	Modo RGBW: 0–100% / Modo CMY: 100%–0
	47	Cabeza 5 blanco	000 ó 255	Modo RGBW: 0–100% / Modo CMY: 100%–0

Modo	Canal	Función	Valor	Porcentaje/Configuración
"Advanced" (47CH)	1	Desplazamiento Lateral	000 ó 255	0–100%
	2	Desplazamiento Lateral Fino	000 ó 255	0–100%
	3	Desplazamiento lateral continua	000 001 ó 127 128 129 ó 255	Sin función Rotación en el sentido antihorario, lenta a rápida Detener Rotación en sentido horario, lenta a rápida
	4	Inclinación 1	000 ó 255	0–100%
	5	Inclinación Fina 1	000 ó 255	0–100%
	6	Inclinación 2	000 ó 255	0–100%
	7	Inclinación Fina 2	000 ó 255	0–100%
	8	Inclinación 3	000 ó 255	0–100%
	9	Inclinación Fina 3	000 ó 255	0–100%
	10	Inclinación 4	000 ó 255	0–100%
	11	Inclinación Fina 4	000 ó 255	0–100%
	12	Inclinación 5	000 ó 255	0–100%
	13	Inclinación Fina 5	000 ó 255	0–100%
14	Inclinación continua 1	000 001 ó 127 128 129 ó 255	Sin función Rotación en el sentido antihorario, lenta a rápida Detener Rotación en sentido horario, lenta a rápida	
15	Inclinación continua 2	000 001 ó 127 128 129 ó 255	Sin función Rotación en el sentido antihorario, lenta a rápida Detener Rotación en sentido horario, lenta a rápida	
16	Inclinación continua 3	000 001 ó 127 128 129 ó 255	Sin función Rotación en el sentido antihorario, lenta a rápida Detener Rotación en sentido horario, lenta a rápida	
17	Inclinación continua 4	000 001 ó 127 128 129 ó 255	Sin función Rotación en el sentido antihorario, lenta a rápida Detener Rotación en sentido horario, lenta a rápida	
18	Inclinación continua 5	000 001 ó 127 128 129 ó 255	Sin función Rotación en el sentido antihorario, lenta a rápida Detener Rotación en sentido horario, lenta a rápida	

Modo	Canal	Función	Valor	Porcentaje/Configuración
"Advanced" (47CH cont.)	19	Macro de inclinación	000 ó 047	Sin función
			048 ó 055	Macro de inclinación 1
			056 ó 063	Macro de inclinación 2
			064 ó 071	Macro de inclinación 3
			072 ó 079	Macro de inclinación 4
			080 ó 087	Macro de inclinación 5
			088 ó 095	Macro de inclinación 6
			096 ó 103	Macro de inclinación 7
			104 ó 111	Macro de inclinación 8
			112 ó 119	Macro de inclinación 9
			120 ó 127	Macro de inclinación 10
			128 ó 135	Macro de inclinación 11
			136 ó 143	Macro de inclinación 12
			144 ó 151	Macro de inclinación 13
			152 ó 159	Macro de inclinación 14
			160 ó 167	Macro de inclinación 15
			168 ó 175	Macro de inclinación 16
			176 ó 183	Macro de inclinación 17
			184 ó 191	Macro de inclinación 18
			192 ó 199	Macro de inclinación 19
			200 ó 207	Macro de inclinación 20
			208 ó 215	Macro de inclinación 21
			216 ó 223	Macro de inclinación 22
			224 ó 231	Macro de inclinación 23
			232 ó 239	Macro de inclinación 24
			240 ó 247	Macro de inclinación 25
			248 ó 255	Macro de inclinación 26
20	Velocidad de macro de inclinación	000 ó 255	Rápida a lenta	

Modo	Canal	Función	Valor	Porcentaje/Configuración
"Advanced" (47CH cont.)	21	Control	000ó 009	Sin función
			010ó 014	Blackout de inclinación manual
			015ó 019	Cancelar blackout de inclinación manual
			020ó 024	Macro 1 dispositivo
			025ó 029	Macro 1, 2 dispositivos
			030ó 034	Macro 2, 2 dispositivos
			035ó 039	Macro 4, 1 dispositivos
			040ó 044	Macro 4, 2 dispositivos
			045ó 049	Macro 4, 3 dispositivos
			050ó 054	Macro 4, 4 dispositivos
			055ó 059	Reiniciar desplazamiento lateral
			060ó 064	Reiniciar inclinación
			065ó 069	Sin función (reservado para usos futuros)
			070ó 074	Reiniciar todo
			075ó 079	Sin función (reservado para usos futuros)
			080ó 084	Invertir movimiento panorámico/inclinación
			085ó 089	Invertir movimiento panorámico
			090ó 094	Invertir inclinación
			095ó 099	Cancelar invertir movimiento panorámico
			100ó 104	Cancelar invertir inclinación
			105ó 109	Cancelar invertir movimiento panorámico/inclinación
110ó 114	Sin función (reservado para usos futuros)			
115ó 119	Vincular todas las cabezas a la cabeza 1			
120ó 124	Desvincular todas las cabezas de la cabeza 1			
125ó 129	Sin función (reservado para usos futuros)			
130ó 134	Sin función (reservado para usos futuros)			
135ó 139	Modo velocidad del atenuador rápido			
140ó 144	Modo velocidad del atenuador suave			
145ó 255	Sin función			
22	Atenuador		000ó 255	0–100%
	23	Obturador	000ó 019	Apagado
			020ó 024	Encendido
			025ó 064	Rápido a lento
			065ó 069	Encendido
			070ó 084	Encendido rápido, apagado lento, rápido a lento
			085ó 089	Encendido
			090ó 104	Encendido lento, apagado rápido, rápido a lento
			105ó 109	Encendido
			110ó 124	Aleatorio rápido a lento
			125ó 129	Encendido
			130ó 144	Encendido rápido aleatorio, apagado lento, rápido a lento
			145ó 149	Encendido
			150ó 164	Encendido lento aleatorio, apagado rápido, rápido a lento
			165ó 169	Encendido
			170ó 184	Pulso, rápido a lento
			185ó 189	Encendido
			190ó 204	Pulso aleatorio, rápido a lento
			205ó 209	Encendido
			210ó 224	<i>Fade in, fade out</i> , rápido a lento
			225ó 229	Encendido
			230ó 244	Pulso aleatorio, rápido a lento
245ó 255	Encendido			

Modo	Canal	Función	Valor	Porcentaje/Configuración
"Advanced" (47CH cont.)	24	Macro de Color	000 ó 013	Sin función
			014 ó 020	Color 1
			021 ó 028	Color 2
			029 ó 036	Color 3
			037 ó 044	Color 4
			045 ó 052	Color 5
			053 ó 060	Color 6
			061 ó 068	Color 7
			069 ó 076	Color 8
			077 ó 084	Color 9
			085 ó 092	Color 10
			093 ó 100	Color 11
			101 ó 108	Color 12
			109 ó 116	Color 13
			117 ó 124	Color 14
			125 ó 133	Color 15
			134 ó 185	Sin función
			186 ó 207	Efecto arco iris, rápido a lento
			208 ó 213	Parada
			214 ó 235	Invertir efecto arco iris, rápido a lento
			236 ó 240	Sin función
			241 ó 255	Salto de color, rápido a lento

Modo “Advanced” (47CH cont.)	Canal	Función	Valor	Porcentaje/Configuración				
				Cabeza 1	Cabeza 2	Cabeza 3	Cabeza 4	Cabeza 5
			000 ó 005	●	●	●	●	●
			006 ó 011	○	●	●	●	●
			012 ó 017	○	○	●	●	●
			018 ó 023	○	○	○	●	●
			024 ó 029	○	○	○	○	●
			030 ó 035	○	○	○	○	○
			036 ó 041	●	○	○	○	○
			042 ó 047	●	●	○	○	○
			048 ó 053	●	●	●	○	○
			054 ó 059	●	●	●	●	○
			060 ó 065	●	●	●	●	●
			066 ó 071	○	○	○	○	○
			072 ó 077	●	○	○	○	○
			078 ó 083	○	●	○	○	○
			084 ó 089	○	○	●	○	○
			090 ó 095	○	○	○	●	○
			096 ó 101	○	○	○	○	●
			102 ó 107	○	○	○	○	○
			108 ó 113	●	●	○	○	○
			114 ó 119	○	●	●	○	○
			120 ó 125	○	○	●	●	○
			126 ó 131	○	○	○	●	●
			132 ó 137	●	○	○	○	●
			138 ó 143	○	○	○	○	○
			144 ó 149	○	●	●	●	●
			150 ó 155	●	○	●	●	●
			156 ó 161	●	●	○	●	●
			162 ó 167	●	●	●	○	●
			168 ó 173	●	●	●	●	○
			174 ó 179	○	○	○	○	○
			180 ó 185	○	○	○	○	●
			186 ó 191	○	○	○	●	●
			192 ó 197	○	○	●	●	●
			198 ó 203	○	●	●	●	●
			204 ó 209	●	●	●	●	●
			210 ó 215	○	○	○	○	○
			216 ó 221	●	●	●	○	○
			222 ó 227	○	●	●	●	○
			228 ó 233	○	○	●	●	●
			234 ó 239	●	○	○	●	●
			240 ó 245	●	●	○	○	●
			246 ó 255	●	●	●	●	●

25

**Preconfiguración
encendido/apagado**
(● = encendido;
○ = apagado)

Modo	Canal	Función	Valor	Porcentaje/Configuración
"Advanced" (47CH cont.)	26	Macro LED/ Programa automático	000 ó 015	Sin función
			016 ó 020	Macro LED 1
			021 ó 025	Macro LED 2
			026 ó 030	Macro LED 3
			031 ó 035	Macro LED 4
			036 ó 040	Macro LED 5
			041 ó 045	Macro LED 6
			046 ó 050	Macro LED 7
			051 ó 055	Macro LED 8
			056 ó 060	Macro LED 9
			061 ó 065	Macro LED 10
			066 ó 070	Macro LED 11
			071 ó 075	Macro LED 12
			076 ó 080	Macro LED 13
			081 ó 085	Macro LED 14
			086 ó 090	Macro LED 15
			091 ó 095	Macro LED 16
			096 ó 100	Macro LED 17
			101 ó 105	Macro LED 18
			106 ó 110	Macro LED 19
			111 ó 115	Macro LED 20
			116 ó 120	Macro LED 21
			121 ó 125	Macro LED 22
			126 ó 130	Macro LED 23
			131 ó 135	Macro LED 24 (Ciclo 1–23)
			136 ó 140	Programa automático 1
			141 ó 145	Programa automático 2
			146 ó 150	Programa automático 3
			151 ó 155	Programa automático 4
			156 ó 160	Programa automático 5
			161 ó 165	Programa automático 6
			166 ó 170	Programa automático 7
			171 ó 175	Programa automático 8
176 ó 180	Programa automático 9			
181 ó 185	Programa automático 10			
186 ó 190	Programa automático 11			
191 ó 195	Programa automático 12			
196 ó 200	Programa automático 13			
201 ó 205	Programa automático 14			
206 ó 210	Programa automático 15			
211 ó 215	Programa automático 16			
216 ó 220	Programa automático 17			
221 ó 225	Programa automático 18			
226 ó 230	Programa automático 19			
231 ó 235	Programa automático 20			
236 ó 240	Programa automático 21			
241 ó 245	Programa automático 22			
246 ó 250	Programa automático 23			
251 ó 255	Programa automático 24 (Ciclo 1–23)			
27	Velocidad de macro LED	000 ó 255	Lenta a rápida	

Modo	Canal	Función	Valor	Porcentaje/Configuración
"Advanced" (47CH cont.)	28	Cabeza 1 rojo	000 ó 255	Modo RGBW: 0–100% / Modo CMY: 100%–0
	29	Cabeza 1 verde	000 ó 255	Modo RGBW: 0–100% / Modo CMY: 100%–0
	30	Cabeza 1 azul	000 ó 255	Modo RGBW: 0–100% / Modo CMY: 100%–0
	31	Cabeza 1 blanco	000 ó 255	Modo RGBW: 0–100% / Modo CMY: 100%–0
	32	Cabeza 2 rojo	000 ó 255	Modo RGBW: 0–100% / Modo CMY: 100%–0
	33	Cabeza 2 verde	000 ó 255	Modo RGBW: 0–100% / Modo CMY: 100%–0
	34	Cabeza 2 azul	000 ó 255	Modo RGBW: 0–100% / Modo CMY: 100%–0
	35	Cabeza 2 blanco	000 ó 255	Modo RGBW: 0–100% / Modo CMY: 100%–0
	36	Cabeza 3 rojo	000 ó 255	Modo RGBW: 0–100% / Modo CMY: 100%–0
	37	Cabeza 3 verde	000 ó 255	Modo RGBW: 0–100% / Modo CMY: 100%–0
	38	Cabeza 3 azul	000 ó 255	Modo RGBW: 0–100% / Modo CMY: 100%–0
	39	Cabeza 3 blanco	000 ó 255	Modo RGBW: 0–100% / Modo CMY: 100%–0
	40	Cabeza 4 rojo	000 ó 255	Modo RGBW: 0–100% / Modo CMY: 100%–0
	41	Cabeza 4 verde	000 ó 255	Modo RGBW: 0–100% / Modo CMY: 100%–0
	42	Cabeza 4 azul	000 ó 255	Modo RGBW: 0–100% / Modo CMY: 100%–0
	43	Cabeza 4 blanco	000 ó 255	Modo RGBW: 0–100% / Modo CMY: 100%–0
	44	Cabeza 5 rojo	000 ó 255	Modo RGBW: 0–100% / Modo CMY: 100%–0
45	Cabeza 5 verde	000 ó 255	Modo RGBW: 0–100% / Modo CMY: 100%–0	
46	Cabeza 5 azul	000 ó 255	Modo RGBW: 0–100% / Modo CMY: 100%–0	
47	Cabeza 5 blanco	000 ó 255	Modo RGBW: 0–100% / Modo CMY: 100%–0	

Modo	Canal	Función	Valor	Porcentaje/Configuración
"Standard" (25CH)	1	Desplazamiento Lateral	000 ó 255	0–100%
	2	Desplazamiento lateral continua	000	Sin función
			001 ó 127	Rotación en el sentido antihorario, lenta a rápida
			128	Detener
	3	Inclinación 1	129 ó 255	Rotación en sentido horario, lenta a rápida
			000 ó 255	0–100%
			000 ó 255	0–100%
	4	Inclinación 2	000 ó 255	0–100%
	5	Inclinación 3	000 ó 255	0–100%
	6	Inclinación 4	000 ó 255	0–100%
	7	Inclinación 5	000 ó 255	0–100%
	8	Inclinación continua 1	000	Sin función
001 ó 127			Rotación en el sentido antihorario, lenta a rápida	
128			Detener	
9	Inclinación continua 2	129 ó 255	Rotación en sentido horario, lenta a rápida	
		000	Sin función	
		001 ó 127	Rotación en el sentido antihorario, lenta a rápida	
10	Inclinación continua 3	128	Detener	
		129 ó 255	Rotación en sentido horario, lenta a rápida	
		000	Sin función	
11	Inclinación continua 4	001 ó 127	Rotación en el sentido antihorario, lenta a rápida	
		128	Detener	
		129 ó 255	Rotación en sentido horario, lenta a rápida	
12	Inclinación continua 5	000	Sin función	
		001 ó 127	Rotación en el sentido antihorario, lenta a rápida	
		128	Detener	
		129 ó 255	Rotación en sentido horario, lenta a rápida	

Modo	Canal	Función	Valor	Porcentaje/Configuración
“Standard” (25CH cont.)	13	Macro de inclinación	000 ó 047	Sin función
			048 ó 055	Macro de inclinación 1
			056 ó 063	Macro de inclinación 2
			064 ó 071	Macro de inclinación 3
			072 ó 079	Macro de inclinación 4
			080 ó 087	Macro de inclinación 5
			088 ó 095	Macro de inclinación 6
			096 ó 103	Macro de inclinación 7
			104 ó 111	Macro de inclinación 8
			112 ó 119	Macro de inclinación 9
			120 ó 127	Macro de inclinación 10
			128 ó 135	Macro de inclinación 11
			136 ó 143	Macro de inclinación 12
			144 ó 151	Macro de inclinación 13
			152 ó 159	Macro de inclinación 14
			160 ó 167	Macro de inclinación 15
			168 ó 175	Macro de inclinación 16
			176 ó 183	Macro de inclinación 17
			184 ó 191	Macro de inclinación 18
			192 ó 199	Macro de inclinación 19
			200 ó 207	Macro de inclinación 20
			208 ó 215	Macro de inclinación 21
			216 ó 223	Macro de inclinación 22
			224 ó 231	Macro de inclinación 23
			232 ó 239	Macro de inclinación 24
			240 ó 247	Macro de inclinación 25
			248 ó 255	Macro de inclinación 26
14	Velocidad de macro de inclinación	000 ó 255	Rápida a lenta	

Modo	Canal	Función	Valor	Porcentaje/Configuración
"Standard" (25CH cont.)	15	Control	000 009	Sin función
			010 014	Blackout de inclinación manual
			015 019	Cancelar blackout de inclinación manual
			020 024	Macro 1 dispositivo
			025 029	Macro 1, 2 dispositivos
			030 034	Macro 2, 2 dispositivos
			035 039	Macro 4, 1 dispositivos
			040 044	Macro 4, 2 dispositivos
			045 049	Macro 4, 3 dispositivos
			050 054	Macro 4, 4 dispositivos
			055 059	Reiniciar desplazamiento lateral
			060 064	Reiniciar inclinación
			065 069	Sin función (reservado para usos futuros)
			070 074	Reiniciar todo
			075 079	Sin función (reservado para usos futuros)
			080 084	Invertir movimiento panorámico/inclinación
			085 089	Invertir movimiento panorámico
			090 094	Invertir inclinación
			095 099	Cancelar invertir movimiento panorámico
			100 104	Cancelar invertir inclinación
			105 109	Cancelar invertir movimiento panorámico/inclinación
			110 114	Sin función (reservado para usos futuros)
			115 119	Vincular todas las cabezas a la cabeza 1
			120 124	Desvincular todas las cabezas de la cabeza 1
			125 129	Sin función (reservado para usos futuros)
			130 134	Sin función (reservado para usos futuros)
			135 139	Modo velocidad del atenuador rápido
140 144	Modo velocidad del atenuador suave			
145 255	Sin función			
16	Atenuador	000 255	0-100%	
	17	Obturador	000 019	Apagado
			020 024	Encendido
			025 064	Rápido a lento
			065 069	Encendido
			070 084	Encendido rápido, apagado lento, rápido a lento
			085 089	Encendido
			090 104	Encendido lento, apagado rápido, rápido a lento
			105 109	Encendido
			110 124	Aleatorio rápido a lento
			125 129	Encendido
			130 144	Encendido rápido aleatorio, apagado lento, rápido a lento
			145 149	Encendido
			150 164	Encendido lento aleatorio, apagado rápido, rápido a lento
			165 169	Encendido
			170 184	Pulso, rápido a lento
			185 189	Encendido
			190 204	Pulso aleatorio, rápido a lento
			205 209	Encendido
			210 224	<i>Fade in, fade out</i> , rápido a lento
			225 229	Encendido
			230 244	Pulso aleatorio, rápido a lento
245 255	Encendido			

Modo	Canal	Función	Valor	Porcentaje/Configuración
"Standard" (25CH cont.)	18	Macro de Color	000 ó 013	Sin función
			014 ó 020	Color 1
			021 ó 028	Color 2
			029 ó 036	Color 3
			037 ó 044	Color 4
			045 ó 052	Color 5
			053 ó 060	Color 6
			061 ó 068	Color 7
			069 ó 076	Color 8
			077 ó 084	Color 9
			085 ó 092	Color 10
			093 ó 100	Color 11
			101 ó 108	Color 12
			109 ó 116	Color 13
			117 ó 124	Color 14
			125 ó 133	Color 15
			134 ó 185	Sin función
			186 ó 207	Efecto arco iris, rápido a lento
			208 ó 213	Parada
			214 ó 235	Invertir efecto arco iris, rápido a lento
			236 ó 240	Sin función
			241 ó 255	Salto de color, rápido a lento

Modo	Canal	Función	Valor	Porcentaje/Configuración				
				Cabeza 1	Cabeza 2	Cabeza 3	Cabeza 4	Cabeza 5
"Standard" (25CH cont.)	19	Preconfiguración encendido/apagado (● = encendido; ○ = apagado)	000 ó 005	●	●	●	●	●
			006 ó 011	○	●	●	●	●
			012 ó 017	○	○	●	●	●
			018 ó 023	○	○	○	●	●
			024 ó 029	○	○	○	○	●
			030 ó 035	○	○	○	○	○
			036 ó 041	●	○	○	○	○
			042 ó 047	●	●	○	○	○
			048 ó 053	●	●	●	○	○
			054 ó 059	●	●	●	●	○
			060 ó 065	●	●	●	●	●
			066 ó 071	○	○	○	○	○
			072 ó 077	●	○	○	○	○
			078 ó 083	○	●	○	○	○
			084 ó 089	○	○	●	○	○
			090 ó 095	○	○	○	●	○
			096 ó 101	○	○	○	○	●
			102 ó 107	○	○	○	○	○
			108 ó 113	●	●	○	○	○
			114 ó 119	○	●	●	○	○
			120 ó 125	○	○	●	●	○
			126 ó 131	○	○	○	●	●
			132 ó 137	●	○	○	○	●
			138 ó 143	○	○	○	○	○
			144 ó 149	○	●	●	●	●
			150 ó 155	●	○	●	●	●
			156 ó 161	●	●	○	●	●
			162 ó 167	●	●	●	○	●
			168 ó 173	●	●	●	●	○
			174 ó 179	○	○	○	○	○
			180 ó 185	○	○	○	○	●
			186 ó 191	○	○	○	●	●
			192 ó 197	○	○	●	●	●
			198 ó 203	○	●	●	●	●
			204 ó 209	●	●	●	●	●
			210 ó 215	○	○	○	○	○
			216 ó 221	●	●	●	○	○
			222 ó 227	○	●	●	●	○
			228 ó 233	○	○	●	●	●
			234 ó 239	●	○	○	●	●
			240 ó 245	●	●	○	○	●
			246 ó 255	●	●	●	●	●

Modo	Canal	Función	Valor	Porcentaje/Configuración
“Standard” (25CH cont.)	20	Macro LED/ Programa automático	000 ó 015	Sin función
			016 ó 020	Macro LED 1
			021 ó 025	Macro LED 2
			026 ó 030	Macro LED 3
			031 ó 035	Macro LED 4
			036 ó 040	Macro LED 5
			041 ó 045	Macro LED 6
			046 ó 050	Macro LED 7
			051 ó 055	Macro LED 8
			056 ó 060	Macro LED 9
			061 ó 065	Macro LED 10
			066 ó 070	Macro LED 11
			071 ó 075	Macro LED 12
			076 ó 080	Macro LED 13
			081 ó 085	Macro LED 14
			086 ó 090	Macro LED 15
			091 ó 095	Macro LED 16
			096 ó 100	Macro LED 17
			101 ó 105	Macro LED 18
			106 ó 110	Macro LED 19
			111 ó 115	Macro LED 20
			116 ó 120	Macro LED 21
			121 ó 125	Macro LED 22
			126 ó 130	Macro LED 23
			131 ó 135	Macro LED 24 (Ciclo 1–23)
			136 ó 140	Programa automático 1
			141 ó 145	Programa automático 2
			146 ó 150	Programa automático 3
			151 ó 155	Programa automático 4
			156 ó 160	Programa automático 5
			161 ó 165	Programa automático 6
			166 ó 170	Programa automático 7
			171 ó 175	Programa automático 8
176 ó 180	Programa automático 9			
181 ó 185	Programa automático 10			
186 ó 190	Programa automático 11			
191 ó 195	Programa automático 12			
196 ó 200	Programa automático 13			
201 ó 205	Programa automático 14			
206 ó 210	Programa automático 15			
211 ó 215	Programa automático 16			
216 ó 220	Programa automático 17			
221 ó 225	Programa automático 18			
226 ó 230	Programa automático 19			
231 ó 235	Programa automático 20			
236 ó 240	Programa automático 21			
241 ó 245	Programa automático 22			
246 ó 250	Programa automático 23			
251 ó 255	Programa automático 24 (Ciclo 1–23)			
21	Velocidad de macro LED	000 ó 255	Lenta a rápida	
22	Rojo	000 ó 255	Modo RGBW: 0–100% / Modo CMY: 100%–0	
23	Verde	000 ó 255	Modo RGBW: 0–100% / Modo CMY: 100%–0	
24	Azul	000 ó 255	Modo RGBW: 0–100% / Modo CMY: 100%–0	
25	Blanco	000 ó 255	Modo RGBW: 0–100% / Modo CMY: 100%–0	

Modo	Canal	Función	Valor	Porcentaje/Configuración
"Basic" (18CH)	1	Desplazamiento Lateral	000 ó 255	0–100%
	2	Desplazamiento lateral continua	000 001 ó 127 128 129 ó 255	Sin función Rotación en el sentido antihorario, lenta a rápida Detener Rotación en sentido horario, lenta a rápida
	3	Inclinación todo	000 ó 255	0–100%
	4	Inclinación todo continua	000 001 ó 127 128 129 ó 255	Sin función Rotación en el sentido antihorario, lenta a rápida Detener Rotación en sentido horario, lenta a rápida
	5	Compensación de inclinación	000 ó 255	Compensa las cabezas entre sí, 0–360°
	6	Macro de inclinación	000 ó 047 048 ó 055 056 ó 063 064 ó 071 072 ó 079 080 ó 087 088 ó 095 096 ó 103 104 ó 111 112 ó 119 120 ó 127 128 ó 135 136 ó 143 144 ó 151 152 ó 159 160 ó 167 168 ó 175 176 ó 183 184 ó 191 192 ó 199 200 ó 207 208 ó 215 216 ó 223 224 ó 231 232 ó 239 240 ó 247 248 ó 255	Sin función Macro de inclinación 1 Macro de inclinación 2 Macro de inclinación 3 Macro de inclinación 4 Macro de inclinación 5 Macro de inclinación 6 Macro de inclinación 7 Macro de inclinación 8 Macro de inclinación 9 Macro de inclinación 10 Macro de inclinación 11 Macro de inclinación 12 Macro de inclinación 13 Macro de inclinación 14 Macro de inclinación 15 Macro de inclinación 16 Macro de inclinación 17 Macro de inclinación 18 Macro de inclinación 19 Macro de inclinación 20 Macro de inclinación 21 Macro de inclinación 22 Macro de inclinación 23 Macro de inclinación 24 Macro de inclinación 25 Macro de inclinación 26
	7	Velocidad de macro de inclinación	000 ó 255	Rápida a lenta

Modo	Canal	Función	Valor	Porcentaje/Configuración
"Basic" (18CH cont.)	8	Control	000 009	Sin función
			010 014	Blackout de inclinación manual
			015 019	Cancelar blackout de inclinación manual
			020 024	Macro 1 dispositivo
			025 029	Macro 1, 2 dispositivos
			030 034	Macro 2, 2 dispositivos
			035 039	Macro 4, 1 dispositivos
			040 044	Macro 4, 2 dispositivos
			045 049	Macro 4, 3 dispositivos
			050 054	Macro 4, 4 dispositivos
			055 059	Reiniciar desplazamiento lateral
			060 064	Reiniciar inclinación
			065 069	Sin función (reservado para usos futuros)
			070 074	Reiniciar todo
			075 079	Sin función (reservado para usos futuros)
			080 084	Invertir movimiento panorámico/inclinación
			085 089	Invertir movimiento panorámico
			090 094	Invertir inclinación
			095 099	Cancelar invertir movimiento panorámico
			100 104	Cancelar invertir inclinación
			105 109	Cancelar invertir movimiento panorámico/inclinación
			110 114	Sin función (reservado para usos futuros)
			115 119	Vincular todas las cabezas a la cabeza 1
120 124	Desvincular todas las cabezas de la cabeza 1			
125 129	Sin función (reservado para usos futuros)			
130 134	Sin función (reservado para usos futuros)			
135 139	Modo velocidad del atenuador rápido			
140 144	Modo velocidad del atenuador suave			
145 255	Sin función			
9	Atenuador	000 255	0-100%	
	10	Obturador	000 019	Apagado
			020 024	Encendido
			025 064	Rápido a lento
			065 069	Encendido
			070 084	Encendido rápido, apagado lento, rápido a lento
			085 089	Encendido
			090 104	Encendido lento, apagado rápido, rápido a lento
			105 109	Encendido
			110 124	Aleatorio rápido a lento
			125 129	Encendido
			130 144	Encendido rápido aleatorio, apagado lento, rápido a lento
			145 149	Encendido
			150 164	Encendido lento aleatorio, apagado rápido, rápido a lento
			165 169	Encendido
			170 184	Pulso, rápido a lento
			185 189	Encendido
			190 204	Pulso aleatorio, rápido a lento
			205 209	Encendido
			210 224	<i>Fade in, fade out</i> , rápido a lento
			225 229	Encendido
230 244	Pulso aleatorio, rápido a lento			
245 255	Encendido			

Modo	Canal	Función	Valor	Porcentaje/Configuración
"Basic" (18CH cont.)	11	Macro de Color	000 ó 013	Sin función
			014 ó 020	Color 1
			021 ó 028	Color 2
			029 ó 036	Color 3
			037 ó 044	Color 4
			045 ó 052	Color 5
			053 ó 060	Color 6
			061 ó 068	Color 7
			069 ó 076	Color 8
			077 ó 084	Color 9
			085 ó 092	Color 10
			093 ó 100	Color 11
			101 ó 108	Color 12
			109 ó 116	Color 13
			117 ó 124	Color 14
			125 ó 133	Color 15
			134 ó 185	Sin función
			186 ó 207	Efecto arco iris, rápido a lento
			208 ó 213	Parada
			214 ó 235	Invertir efecto arco iris, rápido a lento
			236 ó 240	Sin función
			241 ó 255	Salto de color, rápido a lento

Modo "Basic" (18CH cont.)	Canal	Función	Valor	Porcentaje/Configuración				
				Cabeza 1	Cabeza 2	Cabeza 3	Cabeza 4	Cabeza 5
			000 ó 005	●	●	●	●	●
			006 ó 011	○	●	●	●	●
			012 ó 017	○	○	●	●	●
			018 ó 023	○	○	○	●	●
			024 ó 029	○	○	○	○	●
			030 ó 035	○	○	○	○	○
			036 ó 041	●	○	○	○	○
			042 ó 047	●	●	○	○	○
			048 ó 053	●	●	●	○	○
			054 ó 059	●	●	●	●	○
			060 ó 065	●	●	●	●	●
			066 ó 071	○	○	○	○	○
			072 ó 077	●	○	○	○	○
			078 ó 083	○	●	○	○	○
			084 ó 089	○	○	●	○	○
			090 ó 095	○	○	○	●	○
			096 ó 101	○	○	○	○	●
			102 ó 107	○	○	○	○	○
		Preconfiguración encendido/apagado (● = encendido; ○ = apagado)	108 ó 113	●	●	○	○	○
			114 ó 119	○	●	●	○	○
			120 ó 125	○	○	●	●	○
			126 ó 131	○	○	○	●	●
			132 ó 137	●	○	○	○	●
			138 ó 143	○	○	○	○	○
			144 ó 149	○	●	●	●	●
			150 ó 155	●	○	●	●	●
			156 ó 161	●	●	○	●	●
			162 ó 167	●	●	●	○	●
			168 ó 173	●	●	●	●	○
			174 ó 179	○	○	○	○	○
			180 ó 185	○	○	○	○	●
			186 ó 191	○	○	○	●	●
			192 ó 197	○	○	●	●	●
			198 ó 203	○	●	●	●	●
			204 ó 209	●	●	●	●	●
			210 ó 215	○	○	○	○	○
			216 ó 221	●	●	●	○	○
			222 ó 227	○	●	●	●	○
		228 ó 233	○	○	●	●	●	
		234 ó 239	●	○	○	●	●	
		240 ó 245	●	●	○	○	●	
		246 ó 255	●	●	●	●	●	

Modo	Canal	Función	Valor	Porcentaje/Configuración
"Basic" (18CH cont.)	13	Macro LED/ Programa automático	000 ó 015	Sin función
			016 ó 020	Macro LED 1
			021 ó 025	Macro LED 2
			026 ó 030	Macro LED 3
			031 ó 035	Macro LED 4
			036 ó 040	Macro LED 5
			041 ó 045	Macro LED 6
			046 ó 050	Macro LED 7
			051 ó 055	Macro LED 8
			056 ó 060	Macro LED 9
			061 ó 065	Macro LED 10
			066 ó 070	Macro LED 11
			071 ó 075	Macro LED 12
			076 ó 080	Macro LED 13
			081 ó 085	Macro LED 14
			086 ó 090	Macro LED 15
			091 ó 095	Macro LED 16
			096 ó 100	Macro LED 17
			101 ó 105	Macro LED 18
			106 ó 110	Macro LED 19
			111 ó 115	Macro LED 20
			116 ó 120	Macro LED 21
			121 ó 125	Macro LED 22
			126 ó 130	Macro LED 23
			131 ó 135	Macro LED 24 (Ciclo 1–23)
			136 ó 140	Programa automático 1
			141 ó 145	Programa automático 2
			146 ó 150	Programa automático 3
			151 ó 155	Programa automático 4
			156 ó 160	Programa automático 5
			161 ó 165	Programa automático 6
			166 ó 170	Programa automático 7
			171 ó 175	Programa automático 8
			176 ó 180	Programa automático 9
			181 ó 185	Programa automático 10
186 ó 190	Programa automático 11			
191 ó 195	Programa automático 12			
196 ó 200	Programa automático 13			
201 ó 205	Programa automático 14			
206 ó 210	Programa automático 15			
211 ó 215	Programa automático 16			
216 ó 220	Programa automático 17			
221 ó 225	Programa automático 18			
226 ó 230	Programa automático 19			
231 ó 235	Programa automático 20			
236 ó 240	Programa automático 21			
241 ó 245	Programa automático 22			
246 ó 250	Programa automático 23			
251 ó 255	Programa automático 24 (Ciclo 1–23)			
14	Velocidad de macro LED	000 ó 255	Lenta a rápida	

Modo	Canal	Función	Valor	Porcentaje/Configuración
“Basic” (18CH cont.)	15	Rojo	000 ó 255	Modo RGBW: 0–100% / Modo CMY: 100%–0
	16	Verde	000 ó 255	Modo RGBW: 0–100% / Modo CMY: 100%–0
	17	Azul	000 ó 255	Modo RGBW: 0–100% / Modo CMY: 100%–0
	18	Blanco	000 ó 255	Modo RGBW: 0–100% / Modo CMY: 100%–0

Valores “Dual Control Movement”

Modo	Canal	Función	Valor	Porcentaje/Configuración
“Advanced Movement” (23CH)	1	Desplazamiento Lateral	000 ó 255	0–100%
	2	Desplazamiento Lateral Fino	000 ó 255	0–100%
	3	Desplazamiento lateral continua	000	Sin función
			001 ó 127 128	Rotación en el sentido antihorario, lenta a rápida Detener
			129 ó 255	Rotación en sentido horario, lenta a rápida
	4	Inclinación 1	000 ó 255	0–100%
	5	Inclinación Fina 1	000 ó 255	0–100%
	6	Inclinación 2	000 ó 255	0–100%
	7	Inclinación Fina 2	000 ó 255	0–100%
	8	Inclinación 3	000 ó 255	0–100%
	9	Inclinación Fina 3	000 ó 255	0–100%
	10	Inclinación 4	000 ó 255	0–100%
	11	Inclinación Fina 4	000 ó 255	0–100%
	12	Inclinación 5	000 ó 255	0–100%
	13	Inclinación Fina 5	000 ó 255	0–100%
	14	Inclinación continua 1	000	Sin función
			001 ó 127 128	Rotación en el sentido antihorario, lenta a rápida Detener
			129 ó 255	Rotación en sentido horario, lenta a rápida
15	Inclinación continua 2	000	Sin función	
		001 ó 127 128	Rotación en el sentido antihorario, lenta a rápida Detener	
		129 ó 255	Rotación en sentido horario, lenta a rápida	
16	Inclinación continua 3	000	Sin función	
		001 ó 127 128	Rotación en el sentido antihorario, lenta a rápida Detener	
		129 ó 255	Rotación en sentido horario, lenta a rápida	
17	Inclinación continua 4	000	Sin función	
		001 ó 127 128	Rotación en el sentido antihorario, lenta a rápida Detener	
		129 ó 255	Rotación en sentido horario, lenta a rápida	
18	Inclinación continua 5	000	Sin función	
		001 ó 127 128	Rotación en el sentido antihorario, lenta a rápida Detener	
		129 ó 255	Rotación en sentido horario, lenta a rápida	

Modo	Canal	Función	Valor	Porcentaje/Configuración
“Advanced Movement” (23CH cont.)	19	Macro de inclinación	000 ó 047	Sin función
			048 ó 055	Macro de inclinación 1
			056 ó 063	Macro de inclinación 2
			064 ó 071	Macro de inclinación 3
			072 ó 079	Macro de inclinación 4
			080 ó 087	Macro de inclinación 5
			088 ó 095	Macro de inclinación 6
			096 ó 103	Macro de inclinación 7
			104 ó 111	Macro de inclinación 8
			112 ó 119	Macro de inclinación 9
			120 ó 127	Macro de inclinación 10
			128 ó 135	Macro de inclinación 11
			136 ó 143	Macro de inclinación 12
			144 ó 151	Macro de inclinación 13
			152 ó 159	Macro de inclinación 14
			160 ó 167	Macro de inclinación 15
			168 ó 175	Macro de inclinación 16
			176 ó 183	Macro de inclinación 17
			184 ó 191	Macro de inclinación 18
			192 ó 199	Macro de inclinación 19
			200 ó 207	Macro de inclinación 20
			208 ó 215	Macro de inclinación 21
			216 ó 223	Macro de inclinación 22
			224 ó 231	Macro de inclinación 23
			232 ó 239	Macro de inclinación 24
			240 ó 247	Macro de inclinación 25
248 ó 255	Macro de inclinación 26			
20	Velocidad de macro de inclinación	000 ó 255	Rápida a lenta	

Modo	Canal	Función	Valor	Porcentaje/Configuración			
“Advanced Movement” (23CH cont.)	21	Atenuador	000 255	0–100%			
			000 019	Apagado			
			020 024	Encendido			
			025 064	Rápido a lento			
			065 069	Encendido			
			070 084	Encendido rápido, apagado lento, rápido a lento			
			085 089	Encendido			
			090 104	Encendido lento, apagado rápido, rápido a lento			
			105 109	Encendido			
			110 124	Aleatorio rápido a lento			
			125 129	Encendido			
			130 144	Encendido rápido aleatorio, apagado lento, rápido a lento			
			145 149	Encendido			
			150 164	Encendido lento aleatorio, apagado rápido, rápido a lento			
			165 169	Encendido			
			170 184	Pulso, rápido a lento			
			185 189	Encendido			
			190 204	Pulso aleatorio, rápido a lento			
			205 209	Encendido			
			210 224	<i>Fade in, fade out</i> , rápido a lento			
			225 229	Encendido			
			230 244	Pulso aleatorio, rápido a lento			
			245 255	Encendido			
				22	Obturador	000 009	Sin función
						010 014	Blackout de inclinación manual
015 019	Cancelar blackout de inclinación manual						
020 024	Macro 1 dispositivo						
025 029	Macro 1, 2 dispositivos						
030 034	Macro 2, 2 dispositivos						
035 039	Macro 4, 1 dispositivos						
040 044	Macro 4, 2 dispositivos						
045 049	Macro 4, 3 dispositivos						
050 054	Macro 4, 4 dispositivos						
055 059	Reiniciar desplazamiento lateral						
060 064	Reiniciar inclinación						
065 069	Sin función (reservado para usos futuros)						
070 074	Reiniciar todo						
075 079	Sin función (reservado para usos futuros)						
080 084	Invertir movimiento panorámico/inclinación						
085 089	Invertir movimiento panorámico						
090 094	Invertir inclinación						
095 099	Cancelar invertir movimiento panorámico						
100 104	Cancelar invertir inclinación						
105 109	Cancelar invertir movimiento panorámico/inclinación						
110 114	Sin función (reservado para usos futuros)						
115 119	Vincular todas las cabezas a la cabeza 1						
120 124	Desvincular todas las cabezas de la cabeza 1						
125 129	Sin función (reservado para usos futuros)						
130 134	Sin función (reservado para usos futuros)						
135 139	Modo velocidad del atenuador rápido						
140 144	Modo velocidad del atenuador suave						
145 255	Sin función						
	23	Control				000 009	Sin función
			010 014	Blackout de inclinación manual			
			015 019	Cancelar blackout de inclinación manual			
			020 024	Macro 1 dispositivo			
			025 029	Macro 1, 2 dispositivos			
			030 034	Macro 2, 2 dispositivos			
			035 039	Macro 4, 1 dispositivos			
			040 044	Macro 4, 2 dispositivos			
			045 049	Macro 4, 3 dispositivos			
			050 054	Macro 4, 4 dispositivos			
			055 059	Reiniciar desplazamiento lateral			
			060 064	Reiniciar inclinación			
			065 069	Sin función (reservado para usos futuros)			
			070 074	Reiniciar todo			
			075 079	Sin función (reservado para usos futuros)			
			080 084	Invertir movimiento panorámico/inclinación			
			085 089	Invertir movimiento panorámico			
			090 094	Invertir inclinación			
			095 099	Cancelar invertir movimiento panorámico			
			100 104	Cancelar invertir inclinación			
			105 109	Cancelar invertir movimiento panorámico/inclinación			
			110 114	Sin función (reservado para usos futuros)			
			115 119	Vincular todas las cabezas a la cabeza 1			
			120 124	Desvincular todas las cabezas de la cabeza 1			
			125 129	Sin función (reservado para usos futuros)			
			130 134	Sin función (reservado para usos futuros)			
			135 139	Modo velocidad del atenuador rápido			
			140 144	Modo velocidad del atenuador suave			
			145 255	Sin función			

Modo	Canal	Función	Valor	Porcentaje/Configuración
“Standard Movement” (17CH)	1	Desplazamiento Lateral	000 ó 255	0–100%
	2	Desplazamiento lateral continua	000	Sin función
			001 ó 127 128	Rotación en el sentido antihorario, lenta a rápida Detener
			129 ó 255	Rotación en sentido horario, lenta a rápida
	3	Inclinación 1	000 ó 255	0–100%
	4	Inclinación 2	000 ó 255	0–100%
	5	Inclinación 3	000 ó 255	0–100%
	6	Inclinación 4	000 ó 255	0–100%
	7	Inclinación 5	000 ó 255	0–100%
	8	Inclinación continua 1	000	Sin función
			001 ó 127 128	Rotación en el sentido antihorario, lenta a rápida Detener
			129 ó 255	Rotación en sentido horario, lenta a rápida
	9	Inclinación continua 2	000	Sin función
001 ó 127 128			Rotación en el sentido antihorario, lenta a rápida Detener	
129 ó 255			Rotación en sentido horario, lenta a rápida	
10	Inclinación continua 3	000	Sin función	
		001 ó 127 128	Rotación en el sentido antihorario, lenta a rápida Detener	
		129 ó 255	Rotación en sentido horario, lenta a rápida	
11	Inclinación continua 4	000	Sin función	
		001 ó 127 128	Rotación en el sentido antihorario, lenta a rápida Detener	
		129 ó 255	Rotación en sentido horario, lenta a rápida	
12	Inclinación continua 5	000	Sin función	
		001 ó 127 128	Rotación en el sentido antihorario, lenta a rápida Detener	
		129 ó 255	Rotación en sentido horario, lenta a rápida	
13	Macro de inclinación	000 ó 047	Sin función	
		048 ó 055	Macro de inclinación 1	
		056 ó 063	Macro de inclinación 2	
		064 ó 071	Macro de inclinación 3	
		072 ó 079	Macro de inclinación 4	
		080 ó 087	Macro de inclinación 5	
		088 ó 095	Macro de inclinación 6	
		096 ó 103	Macro de inclinación 7	
		104 ó 111	Macro de inclinación 8	
		112 ó 119	Macro de inclinación 9	
		120 ó 127	Macro de inclinación 10	
		128 ó 135	Macro de inclinación 11	
		136 ó 143	Macro de inclinación 12	
		144 ó 151	Macro de inclinación 13	
		152 ó 159	Macro de inclinación 14	
		160 ó 167	Macro de inclinación 15	
		168 ó 175	Macro de inclinación 16	
		176 ó 183	Macro de inclinación 17	
		184 ó 191	Macro de inclinación 18	
		192 ó 199	Macro de inclinación 19	
		200 ó 207	Macro de inclinación 20	
208 ó 215	Macro de inclinación 21			
216 ó 223	Macro de inclinación 22			

Modo	Canal	Función	Valor	Porcentaje/Configuración
“Standard Movement” (17CH cont.)	13	Macro de inclinación	224 ó 231	Macro de inclinación 23
			232 ó 239	Macro de inclinación 24
			240 ó 247	Macro de inclinación 25
248 ó 255			Macro de inclinación 26	
	14	Velocidad de macro de inclinación	000 ó 255	Rápida a lenta
	15	Atenuador	000 ó 255	0–100%
	16	Obturador	000 ó 019	Apagado
			020 ó 024	Encendido
			025 ó 064	Rápido a lento
			065 ó 069	Encendido
			070 ó 084	Encendido rápido, apagado lento, rápido a lento
			085 ó 089	Encendido
			090 ó 104	Encendido lento, apagado rápido, rápido a lento
			105 ó 109	Encendido
			110 ó 124	Aleatorio rápido a lento
			125 ó 129	Encendido
			130 ó 144	Encendido rápido aleatorio, apagado lento, rápido a lento
			145 ó 149	Encendido
			150 ó 164	Encendido lento aleatorio, apagado rápido, rápido a lento
			165 ó 169	Encendido
			170 ó 184	Pulso, rápido a lento
			185 ó 189	Encendido
			190 ó 204	Pulso aleatorio, rápido a lento
			205 ó 209	Encendido
			210 ó 224	<i>Fade in, fade out</i> , rápido a lento
			225 ó 229	Encendido
	230 ó 244	Pulso aleatorio, rápido a lento		
	245 ó 255	Encendido		
	17	Control	000 ó 009	Sin función
			010 ó 014	Blackout de inclinación manual
			015 ó 019	Cancelar blackout de inclinación manual
			020 ó 024	Macro 1 dispositivo
			025 ó 029	Macro 1, 2 dispositivos
			030 ó 034	Macro 2, 2 dispositivos
			035 ó 039	Macro 4, 1 dispositivos
			040 ó 044	Macro 4, 2 dispositivos
			045 ó 049	Macro 4, 3 dispositivos
			050 ó 054	Macro 4, 4 dispositivos
			055 ó 059	Reiniciar desplazamiento lateral
			060 ó 064	Reiniciar inclinación
			065 ó 069	Sin función (reservado para usos futuros)
			070 ó 074	Reiniciar todo
			075 ó 079	Sin función (reservado para usos futuros)
			080 ó 084	Invertir movimiento panorámico/inclinación
			085 ó 089	Invertir movimiento panorámico
			090 ó 094	Invertir inclinación
			095 ó 099	Cancelar invertir movimiento panorámico
			100 ó 104	Cancelar invertir inclinación
	105 ó 109	Cancelar invertir movimiento panorámico/inclinación		
	110 ó 114	Sin función (reservado para usos futuros)		
	115 ó 119	Vincular todas las cabezas a la cabeza 1		

Modo	Canal	Función	Valor	Porcentaje/Configuración
“Standard Movement” (17CH cont.)	17	Control	120ó 124	Desvincular todas las cabezas de la cabeza 1
			125ó 129	Sin función (reservado para usos futuros)
			130ó 134	Sin función (reservado para usos futuros)
			135ó 139	Modo velocidad del atenuador rápido
			140ó 144	Modo velocidad del atenuador suave
			145ó 255	Sin función
Modo	Canal	Función	Valor	Porcentaje/Configuración
“Basic Movement” (10CH)	1	Desplazamiento Lateral	000ó 255	0–100%
	2	Desplazamiento lateral continua	000	Sin función
			001ó 127 128	Rotación en el sentido antihorario, lenta a rápida Detener
			129ó 255	Rotación en sentido horario, lenta a rápida
	3	Inclinación todo	000ó 255	0–100%
	4	Inclinación todo continua	000	Sin función
			001ó 127 128	Rotación en el sentido antihorario, lenta a rápida Detener
129ó 255			Rotación en sentido horario, lenta a rápida	
5	Compensación de inclinación	000ó 255	Compensa las cabezas entre sí, 0–360°	
6	Macro de inclinación	000ó 047	Sin función	
		048ó 055	Macro de inclinación 1	
		056ó 063	Macro de inclinación 2	
		064ó 071	Macro de inclinación 3	
		072ó 079	Macro de inclinación 4	
		080ó 087	Macro de inclinación 5	
		088ó 095	Macro de inclinación 6	
		096ó 103	Macro de inclinación 7	
		104ó 111	Macro de inclinación 8	
		112ó 119	Macro de inclinación 9	
		120ó 127	Macro de inclinación 10	
		128ó 135	Macro de inclinación 11	
		136ó 143	Macro de inclinación 12	
		144ó 151	Macro de inclinación 13	
		152ó 159	Macro de inclinación 14	
		160ó 167	Macro de inclinación 15	
		168ó 175	Macro de inclinación 16	
		176ó 183	Macro de inclinación 17	
		184ó 191	Macro de inclinación 18	
		192ó 199	Macro de inclinación 19	
		200ó 207	Macro de inclinación 20	
208ó 215	Macro de inclinación 21			
216ó 223	Macro de inclinación 22			
224ó 231	Macro de inclinación 23			
232ó 239	Macro de inclinación 24			
240ó 247	Macro de inclinación 25			
248ó 255	Macro de inclinación 26			
7	Velocidad de macro de inclinación	000ó 255	Rápida a lenta	

Modo	Canal	Función	Valor	Porcentaje/Configuración		
“Basic Movement” (10CH cont.)	8	Atenuador	000○ 255	0–100%		
			000○ 019	Apagado		
	9	Obturador	020○ 024	Encendido		
			025○ 064	Rápido a lento		
			065○ 069	Encendido		
			070○ 084	Encendido rápido, apagado lento, rápido a lento		
			085○ 089	Encendido		
			090○ 104	Encendido lento, apagado rápido, rápido a lento		
			105○ 109	Encendido		
			110○ 124	Aleatorio rápido a lento		
			125○ 129	Encendido		
			130○ 144	Encendido rápido aleatorio, apagado lento, rápido a lento		
			145○ 149	Encendido		
			150○ 164	Encendido lento aleatorio, apagado rápido, rápido a lento		
			165○ 169	Encendido		
			170○ 184	Pulso, rápido a lento		
			185○ 189	Encendido		
			190○ 204	Pulso aleatorio, rápido a lento		
			205○ 209	Encendido		
			210○ 224	<i>Fade in, fade out</i> , rápido a lento		
			225○ 229	Encendido		
			230○ 244	Pulso aleatorio, rápido a lento		
			245○ 255	Encendido		
			10	Control	000○ 009	Sin función
					010○ 014	Blackout de inclinación manual
					015○ 019	Cancelar blackout de inclinación manual
	020○ 024	Macro 1 dispositivo				
	025○ 029	Macro 1, 2 dispositivos				
	030○ 034	Macro 2, 2 dispositivos				
	035○ 039	Macro 4, 1 dispositivos				
	040○ 044	Macro 4, 2 dispositivos				
	045○ 049	Macro 4, 3 dispositivos				
	050○ 054	Macro 4, 4 dispositivos				
055○ 059	Reiniciar desplazamiento lateral					
060○ 064	Reiniciar inclinación					
065○ 069	Sin función (reservado para usos futuros)					
070○ 074	Reiniciar todo					
075○ 079	Sin función (reservado para usos futuros)					
080○ 084	Invertir movimiento panorámico/inclinación					
085○ 089	Invertir movimiento panorámico					
090○ 094	Invertir inclinación					
095○ 099	Cancelar invertir movimiento panorámico					
100○ 104	Cancelar invertir inclinación					
105○ 109	Cancelar invertir movimiento panorámico/inclinación					
110○ 114	Sin función (reservado para usos futuros)					
115○ 119	Vincular todas las cabezas a la cabeza 1					
120○ 124	Desvincular todas las cabezas de la cabeza 1					
125○ 129	Sin función (reservado para usos futuros)					
130○ 134	Sin función (reservado para usos futuros)					
135○ 139	Modo velocidad del atenuador rápido					
140○ 144	Modo velocidad del atenuador suave					
145○ 255	Sin función					

Valores “Dual Control Pixel”

Modo	Canal	Función	Valor	Porcentaje/Configuración
RGBW (20CH)	1	Cabeza 1 rojo	000 ó 255	Modo RGBW: 0–100% / Modo CMY: 100%–0
	2	Cabeza 1 verde	000 ó 255	Modo RGBW: 0–100% / Modo CMY: 100%–0
	3	Cabeza 1 azul	000 ó 255	Modo RGBW: 0–100% / Modo CMY: 100%–0
	4	Cabeza 1 blanco	000 ó 255	Modo RGBW: 0–100% / Modo CMY: 100%–0
	5	Cabeza 2 rojo	000 ó 255	Modo RGBW: 0–100% / Modo CMY: 100%–0
	6	Cabeza 2 verde	000 ó 255	Modo RGBW: 0–100% / Modo CMY: 100%–0
	7	Cabeza 2 azul	000 ó 255	Modo RGBW: 0–100% / Modo CMY: 100%–0
	8	Cabeza 2 blanco	000 ó 255	Modo RGBW: 0–100% / Modo CMY: 100%–0
	9	Cabeza 3 rojo	000 ó 255	Modo RGBW: 0–100% / Modo CMY: 100%–0
	10	Cabeza 3 verde	000 ó 255	Modo RGBW: 0–100% / Modo CMY: 100%–0
	11	Cabeza 3 azul	000 ó 255	Modo RGBW: 0–100% / Modo CMY: 100%–0
	12	Cabeza 3 blanco	000 ó 255	Modo RGBW: 0–100% / Modo CMY: 100%–0
	13	Cabeza 4 rojo	000 ó 255	Modo RGBW: 0–100% / Modo CMY: 100%–0
	14	Cabeza 4 verde	000 ó 255	Modo RGBW: 0–100% / Modo CMY: 100%–0
	15	Cabeza 4 azul	000 ó 255	Modo RGBW: 0–100% / Modo CMY: 100%–0
	16	Cabeza 4 blanco	000 ó 255	Modo RGBW: 0–100% / Modo CMY: 100%–0
	17	Cabeza 5 rojo	000 ó 255	Modo RGBW: 0–100% / Modo CMY: 100%–0
	18	Cabeza 5 verde	000 ó 255	Modo RGBW: 0–100% / Modo CMY: 100%–0
	19	Cabeza 5 azul	000 ó 255	Modo RGBW: 0–100% / Modo CMY: 100%–0
	20	Cabeza 5 blanco	000 ó 255	Modo RGBW: 0–100% / Modo CMY: 100%–0

Modo RGB
(15CH)

Canal	Función	Valor	Porcentaje/Configuración
1	Cabeza 1 rojo	000 ó 255	Modo RGBW: 0–100% / Modo CMY: 100%–0
2	Cabeza 1 verde	000 ó 255	Modo RGBW: 0–100% / Modo CMY: 100%–0
3	Cabeza 1 azul	000 ó 255	Modo RGBW: 0–100% / Modo CMY: 100%–0
4	Cabeza 2 rojo	000 ó 255	Modo RGBW: 0–100% / Modo CMY: 100%–0
5	Cabeza 2 verde	000 ó 255	Modo RGBW: 0–100% / Modo CMY: 100%–0
6	Cabeza 2 azul	000 ó 255	Modo RGBW: 0–100% / Modo CMY: 100%–0
7	Cabeza 3 rojo	000 ó 255	Modo RGBW: 0–100% / Modo CMY: 100%–0
8	Cabeza 3 verde	000 ó 255	Modo RGBW: 0–100% / Modo CMY: 100%–0
9	Cabeza 3 azul	000 ó 255	Modo RGBW: 0–100% / Modo CMY: 100%–0
10	Cabeza 4 rojo	000 ó 255	Modo RGBW: 0–100% / Modo CMY: 100%–0
11	Cabeza 4 verde	000 ó 255	Modo RGBW: 0–100% / Modo CMY: 100%–0
12	Cabeza 4 azul	000 ó 255	Modo RGBW: 0–100% / Modo CMY: 100%–0
13	Cabeza 5 rojo	000 ó 255	Modo RGBW: 0–100% / Modo CMY: 100%–0
14	Cabeza 5 verde	000 ó 255	Modo RGBW: 0–100% / Modo CMY: 100%–0
15	Cabeza 5 azul	000 ó 255	Modo RGBW: 0–100% / Modo CMY: 100%–0

À Propos de ce Manuel Le manuel de référence (MR) du Rogue R1 FX-B Wash reprend des informations de base sur ce produit notamment en matière de connexions, montage, options de menu et valeurs DMX. Téléchargez le Manuel d'Utilisation sur www.chauvetprofessional.com for pour de plus amples informations.

Clause de Non-Responsabilité Les informations et caractéristiques contenues dans ce manuel sont sujettes à changement sans préavis.

Consignes de Sécurité

- N'ouvrez PAS cet appareil. Il ne contient aucun composant susceptible d'être réparé par l'utilisateur.
- Ne regardez PAS la source lumineuse lorsque le produit fonctionne.
- Durant les périodes de non-utilisation, pour éviter tout usure inutile et pour prolonger la durée de vie, déconnectez-entièrement l'appareil en le débranchant de l'alimentation électrique ou en coupant le disjoncteur.
- ATTENTION: Lorsque l'appareil est transféré d'un environnement à température extrême à un autre (par exemple d'un camion froid vers une salle de bal chaude et humide), de la condensation peut se former sur les composants électriques internes. Pour éviter de causer des dommages, laissez l'appareil s'acclimater entièrement au milieu environnant avant de le mettre sous tension.
- ATTENTION : le boîtier de ce produit peut s'avérer brûlant lors du fonctionnement.
- Montez toujours ce produit dans un endroit bien ventilé, à au moins 50 cm (20 pouces) des surfaces adjacentes.
- Ne laissez AUCUNE source inflammable dans un rayon de 50 cm du produit lorsque celui-ci fonctionne.
- Utilisez TOUJOURS un câble de sécurité lorsque vous montez ce produit en hauteur.
- N'utilisez PAS cet appareil en extérieur ou tout autre endroit où de la poussière, une chaleur excessive, de l'eau ou de l'humidité pourrait en affecter le fonctionnement. (IP20)
- N'utilisez PAS cet appareil si le boîtier, les lentilles ou les câbles vous semblent endommagés.
- Ne connectez ce produit NI à un gradateur NI à un rhéostat.
- Connectez UNIQUEMENT cet appareil à un circuit protégé et relié à la terre.
- N'utilisez QUE les lyres de suspension ou les poignées pour transporter cet appareil. Ne transportez jamais cet appareil par sa lyre asservie.
- En cas de sérieux problèmes de fonctionnement, arrêtez le système immédiatement.
- La température ambiante maximale doit être de 113° F (45° C). Ne le faites pas fonctionner à des températures plus élevées.

Contact En dehors des États-Unis, du Royaume-Uni, de l'Irlande, du Mexique, et du Benelux, contactez votre distributeur si vous avez besoin d'assistance ou de renvoyer votre produit. Aux États-Unis, au Royaume-Uni, en Irlande, au Mexique, et au Benelux, consultez la rubrique [Contact Us](#) en fin de MR pour plus d'informations.

Ce Qui est Compris

- Rogue R1 FX-B
- Une fiche de garantie
- Un cordon d'alimentation Neutrik® powerCON®
- Un manuel de référence
- 2 fixations Omega sans matériel de montage

Alimentation CA

Cet appareil est doté d'une alimentation universelle prenant en charge toute tension d'entrée comprise entre 100 et 240 VCA, 50/60 Hz.



Durant les périodes de non-utilisation, pour éviter tout usure inutile et pour prolonger la durée de vie, déconnectez-entièrement l'appareil en le débranchant de l'alimentation électrique ou en coupant le disjoncteur.

Connexion Électrique Vous pouvez connecter entre eux jusqu'à 8 Rogue R1 FX-B à 120 V, 14 unités à 208 V ou 15 unités à 230 V. Ne dépassez jamais cette limite. Vous pouvez vous procurer séparément des cordons d'alimentation de raccordement.

Prise CA	Connexion	Câble (États-Unis)	Câble (Europe)	Couleur de la vis
	Conducteur CA	Noir	Marron	Jaune/Cuivré
	Neutre CA	Blanc	Bleu	Argenté
	Terre CA	Vert/Jaune	Vert/Jaune	Vert

- Remplacement du Fusible**
1. Débranchez l'appareil de l'alimentation.
 2. À l'aide d'un tournevis à tête plate, dévissez le couvercle du porte-fusible du boîtier.
 3. Retirez le fusil obsolète et remplacez-le par un fusible en bon état de même type et ampérage.
 4. Revissez le couvercle du porte-fusible et rebranchez l'unité.

Connexions du signal Vous pouvez relier le Rogue R1 FX-B à un contrôleur ou à un logiciel de contrôle à l'aide d'une connexion DMX, une connexion Ethernet ou les deux à la fois. En cas d'utilisation du Rogue R1 FX-B conjointement avec d'autres appareils compatibles avec les protocoles Art-Net™, sACN ou Kling-Net, vous gardez le contrôle individuel sur un même réseau. Veuillez consulter le manuel d'utilisation pour plus d'informations sur la connexion et la configuration de l'appareil avec ces signaux.

Personnalités de contrôle Le Rogue R1 FX-B utilise les protocoles DMX, Art-Net™, sACN et Kling-Net pour ses personnalités de contrôle :

Single Control	Dual Control Movement	Dual Control Pixel
Tour 2 (52-canal)		
Tour (47-canal)		
Advanced (47-canal)	Advanced (23-canal)	RGBW (20-canal)
Standard (25-canal)	Standard (17-canal)	RGB (15-canal)
Basic (18-canal)	Basic (10-canal)	Utilise DMX, Art-Net, sACN, ou Kling-Net
Utilise DMX, Art-Net™, ou sACN		

Connexion DMX Le Rogue R1 FX-B fonctionnera conjointement avec un jeu d'orgues DMX doté d'une connexion de donnée DMX à 3 ou 5 broches. Une introduction au DMX est à votre disposition sur www.chauvetprofessional.com.

Connexion Art-Net™ Art-Net™ est un protocole Ethernet par TCP/IP qui permet de transférer de grandes quantités de données DMX512 en utilisant une connexion etherCON RJ45 sur un grand réseau. Une introduction au protocole Art-Net™ est disponible sur le site internet www.chauvetprofessional.com. Chauvet Professional recommande d'utiliser le mode Unicast pour de meilleurs résultats. Art-Net™ conçu et droit d'auteur par Artistic Licence Holdings Ltd.

Connexion sACN Également appelé ANSI E1.31, le streaming ACN est un protocole Ethernet qui utilise les couches et le formatage de l'Architecture for Control Networks pour transporter des données DMX512 par IP ou tout autre réseau compatible ACN. L'ACN est maintenu par la PLASA (Professional Lighting and Sound Association).

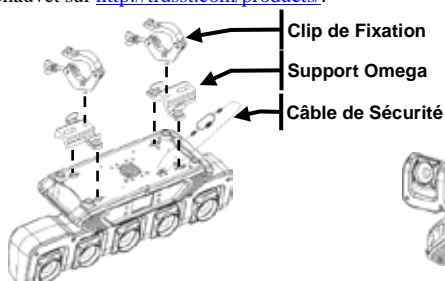
Connexion Kling-Net Kling-Net est un protocole réseau qui permet la configuration automatique des appareils d'affichage en utilisant une connexion Ethernet etherCON RJ45. Référez-vous au manuel du logiciel ArKaos pour des instructions détaillées sur la programmation de cet appareil.



Pour un fonctionnement sans problème, le protocole ArKaos Kling-Net nécessite l'utilisation d'une carte réseau Ethernet gigabit (1000 Mbps) et d'un routeur.

Montage Avant de monter cet appareil, lisez et assimilez les [Consignes de Sécurité](#). Utilisez au moins deux points de montage pour cet appareil. Veillez à ce que les fixations sont capables de supporter le poids de l'unité. Découvrez notre gamme de fixations Chauvet sur <http://trusst.com/products/>.

Diagramme de Montage de l'Appareil



Montage en Hauteur



Montage au Sol

Panneau de commande tactile

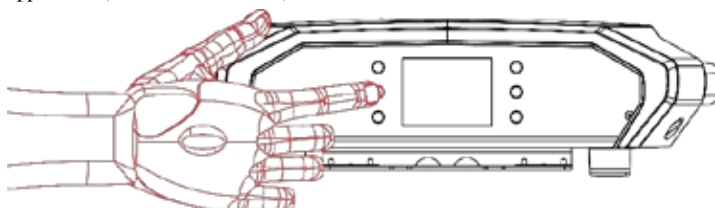
Le Rogue R1 FX-B est équipé d'un affichage avec un écran tactile ainsi que de 6 boutons de commande. L'écran tactile peut être verrouillé et calibré via l'option **Setup** (paramétrage) du menu.

Description du Tableau de Commandes

Bouton	Fonction
< ↑ >	Permet de naviguer vers le haut dans la liste du menu ou d'incrémenter une valeur numérique dans une fonction
< ☰ >	Permet de sortir du menu ou de la fonction en cours
< ↓ >	Permet de naviguer vers le bas dans la liste du menu ou de décrémenter une valeur numérique dans une fonction
< ← >	Permet de se déplacer vers la gauche dans le menu.
< ↩ >	Active l'entrée de menu actuellement affichée ou confirme la valeur actuellement sélectionnée pour la fonction en cours de sélection
< → >	Permet de se déplacer vers la droite dans le menu

Affichage à piles

Appuyez sur la touche et maintenez-la enfoncée jusqu'à ce que l'écran du menu apparaisse (environ 15 secondes).



Plan du Menu

Niveaux de Programmation				Description
Control Settings Niveau Principal				
Control Settings	Single Control	DMX	Personality	Basic Standard Advanced Tour Tour 2
			Start Address	001-512
			Définir la personnalité DMX parmi : Basique (18CH), Standard (25CH), Avancée (47CH), Tour (47CH) ou Tour 2 (52CH)	
			Définir l'adresse DMX de départ	

Plan du Menu (suite)

Niveaux de Programmation				Description
Control Settings				Control Settings Niveau Principal
Single Control	ArtNet	Personality	Basic	Définir la personnalité Art-Net™, parmi : Basique (18CH), Standard (25CH), Avancée (47CH) Tour (47CH) ou Tour 2 (52CH)
			Standard	
			Advanced	
			Tour	
			Tour 2	
		Start Address	001-512	Définir l'adresse Art-Net™ de départ
	Universe	0-254	Définir l'univers Art-Net™	
	sACN	Personality	Basic	Définir la personnalité sACN, parmi : Basique (18CH), Standard (25CH), Avancée (47CH) , Tour (47CH) ou Tour 2 (52CH)
			Standard	
			Advanced	
Tour				
Tour 2				
Start Address	001-512	Définir l'adresse sACN de départ		
Universe	0-255	Définir l'univers sACN		
Control Settings	Movement	DMX	Personality	Définir la personnalité DMX, parmi : Basique (10CH), Standard (17CH) ou Avancée (23CH)
			Standard	
			Advanced	
		Start Address	001-512	Définir l'adresse DMX de départ
		ArtNet	Personality	Définir la personnalité Art-Net™, parmi : Basique (10CH), Standard (17CH) ou Avancée (23CH)
			Standard	
			Advanced	
		Start Address	001-512	Définir l'adresse Art-Net™ de départ
		Universe	0-254	Définir l'univers Art-Net™
		sACN	Personality	Définir la personnalité sACN, parmi : Basique (10CH), Standard (17CH) ou Avancée (23CH)
			Standard	
			Advanced	
	Start Address	001-512	Définir l'adresse sACN de départ	
	Universe	0-255	Définir l'univers sACN	
	Pixels	DMX	Personality	Définir la personnalité DMX, parmi : RGB (15CH) ou RGBW (20CH)
			RGB	
			RGBW	
		Start Address	001-512	Définir l'adresse DMX de départ
		ArtNet	Personality	Définir la personnalité Art-Net™, parmi : RGB (15CH) ou RGBW (20CH)
			RGB	
			RGBW	
		Start Address	001-512	Définir l'adresse Art-Net™ de départ
		Universe	0-254	Définir l'univers Art-Net™
		sACN	Personality	Définir la personnalité sACN, parmi : RGB (15CH) ou RGBW (20CH)
RGB				
RGBW				
Start Address	001-512	Définir l'adresse sACN de départ		
Universe	0-255	Définir l'univers sACN		
KlingNet	Personality	Définir la personnalité Kling-Net, parmi : RGB (15CH) ou RGBW (20CH)		

Remarque : En mode Dual Control, les protocoles Movement et Pixel ne peuvent pas être identiques.

Plan du Menu (suite)

Niveaux de Programmation			Description	
Test Mode			Test Mode Niveau Principal	
Test Mode	Auto test		Effectuer un test automatique de toutes les fonctions	
	Manual test	Pan	000–255	Contrôler et tester manuellement chaque paramètre depuis le panneau de commande
		Pan Speed		
		Pan 360		
		Tilt 1		
		Tilt 2		
		Tilt 3		
		Tilt 4		
		Tilt 5		
		Tilt Speed		
		Tilt 1 360		
		Tilt 2 360		
		Tilt 3 360		
		Tilt 4 360		
		Tilt 5 360		
		Dimmer		
		Shutter		
		Red		
		Green		
Blue				
White				
Color				
LED Macro				
LED Macro Speed				
Setup			Setup Niveau Principal	
Network Settings	IP Mode	Manual	Réglage manuel de l'adresse IP	
		DHCP	L'adresse IP est définie par le réseau	
		Static	L'adresse IP est définie par l'appareil	
	IP	xxx.xxx.xxx.xxx	Réglage de l'adresse IP en mode manuel	
	SubMask	xxx.xxx.xxx.xxx	Réglage du masque de sous-réseau en mode manuel	
Pan Reverse	NO		Fonctionnement normal du pan	
	YES		Fonctionnement inversé du pan	
Tilt Reverse	NO		Fonctionnement normal du tilt	
	YES		Fonctionnement inversé du tilt	
Screen Reverse	NO		L'écran s'affiche à normal	
	YES		L'écran s'affiche à l'envers	
	AUTO		Orientation automatique de l'écran	
Pan Angle	540		Plage d'angle de pan: 540°	
	360		Plage d'angle de pan: 360°	
	180		Plage d'angle de pan: 180°	
Tilt Angle	540		Plage d'angle de tilt: 540°	
	270		Plage d'angle de tilt: 270°	
	180		Plage d'angle de tilt: 180°	
BL. O. P/T Move	NO		Pas de noir général pendant le balayage/basculement	
	YES		Noir général pendant le balayage/basculement	
Calibration	NO		Conservé les paramètres actuels	
	YES		Calibration de l'écran tactile	

Plan du Menu (suite)

Niveaux de Programmation		Description	
Setup (suite)		Setup Niveau Principal (suite)	
Touchscreen Lock	NO	L'écran réponds au toucher	
	YES	L'écran ne réponds pas au toucher	
Lock Screen	NO	Boutons de verrouillage et écran tactile	
	YES	Mot de Passe : 0920	
Backlight Timer	30S	L'affichage s'éteint après 30 secondes d'inactivité	
	1M	L'affichage s'éteint après 1 minute d'inactivité	
	5M	L'affichage s'éteint après 5 minutes d'inactivité	
Loss of Data	ON	L'affichage reste allumé	
	Hold	Conservation du dernier signal reçu	
	Close	Extinction de l'unité	
C Mixing Mode	RGBW	Mélange de couleur supplémentaire (0 à 100%)	
	CMY	Mélange de couleur retirée (100% à 0)	
Dimmer Curve	Linear	Définir la courbe de gradation	
	Square		
	I Squa		
	SCurve		
Dimmer Speed	Smooth	Modifier la vitesse de gradation	
	Fast		
PWM Option	600Hz	Permet de sélectionner la fréquence de sortie MLI	
	1200Hz		
	2000Hz		
	4000Hz		
	6000Hz		
Color Balance	Red	100–255	
	Green		
	Blue		
	White		
Preset Select	PRESET A	Options de menu des préréglages enregistrés	
	PRESET B		
	PRESET C		
Preset Sync	NO	Permet de transférer les options de menu des préréglages enregistrés vers d'autres appareils Rogue R1 FXB de la chaîne DMX en guirlande	
	YES		
Reset Function	Pan	NO	Réinitialiser chaque fonction de manière individuelle ou toutes les fonctions à partir du démarrage
		YES	
	Tilt	NO	
		YES	
	All	NO	
YES			
Factory Settings	NO	Réinitialisation aux paramètres par défaut d'usine	
	YES		

Setup (suite)

Plan du Menu (suite)

Niveaux de Programmation		Description	
Sys Info		Sys Info Niveau Principal	
Fixture Information	Ver	VX	Affiche la version du micrologiciel
	Running Mode	Xxx	Affiche le mode d'exécution actuel
	DMX Address	xxx	Affiche l'adresse de départ actuelle
	Temperature	xx	Affiche la température actuelle de l'appareil en °C
	Fixture Hours	xxxxx	Affiche le nombre d'heure pendant lequel l'appareil est resté allumé
	IP	xxx.xxx.xxx.xxx	Affiche l'adresse IP actuelle
	SubMask	xxx.xxx.xxx.xxx	Affiche le masque de sous-réseau actuel
MAC	xx.xx.xx.xx.xx.xx	Affiche l'adresse MAC actuelle	
Error Information	No Error!*		Affiche n'importe quelle erreur ou le message "No Error!"
Sys Info	Channel Information	xxx	Affiche toutes les valeurs actuelles des signaux en entrée, 000 à 255
	Frequency		
	Pan		
	Pan Fine		
	Pan 360		
	Tilt 1		
	Tilt 1 Fine		
	Tilt 2		
	Tilt 2 Fine		
	Tilt 3		
	Tilt 3 Fine		
	Tilt 4		
	Tilt 4 Fine		
	Tilt 5		
	Tilt 5 Fine		
	Tilt 1 360		
	Tilt 2 360		
	Tilt 3 360		
	Tilt 4 360		
	Tilt 5 360		
	Y Macro		
	Y Macro Speed		
	Function		
Dimmer			
Shutter			
Color			
Lamp Number			
LED Macro			
LED Ma. Speed			

Plan du Menu (suite)

Niveaux de Programmation		Description
Sys Info		Sys Info Niveau Principal
Sys Info (suite)	Channel Information	xxx Affiche toutes les valeurs actuelles des signaux en entrée, 000 à 255
	Red 1	
	Green 1	
	Blue 1	
	White 1	
	Red 2	
	Green 2	
	Blue 2	
	White 2	
	Red 3	
	Green 3	
	Blue 3	
	White 3	
	Red 4	
	Green 4	
	Blue 4	
	White 4	
	Red 5	
	Green 5	
	Blue 5	
White 5		

Valeurs "Single Control"

Tour 2 (52CH)	Canal	Fonction	Valeur	Pourcentage/Configuration
	1	Pan	000ó255	0–100%
	2	Pan Précis	000ó255	0–100%
	3	Pan en continu	000 001ó127 128 129ó255	Pas de fonction Rotation antihoraire, lent à rapide Arrêt Rotation horaire, lent à rapide
	4	Macro de basculement	000ó047 048ó055 056ó063 064ó071 072ó079 080ó087 088ó095 096ó103 104ó111 112ó119 120ó127 128ó135 136ó143 144ó151 152ó159 160ó167 168ó175 176ó183 184ó191 192ó199 200ó207 208ó215 216ó223 224ó231 232ó239 240ó247 248ó255	Pas de fonction Macro de basculement 1 Macro de basculement 2 Macro de basculement 3 Macro de basculement 4 Macro de basculement 5 Macro de basculement 6 Macro de basculement 7 Macro de basculement 8 Macro de basculement 9 Macro de basculement 10 Macro de basculement 11 Macro de basculement 12 Macro de basculement 13 Macro de basculement 14 Macro de basculement 15 Macro de basculement 16 Macro de basculement 17 Macro de basculement 18 Macro de basculement 19 Macro de basculement 20 Macro de basculement 21 Macro de basculement 22 Macro de basculement 23 Macro de basculement 24 Macro de basculement 25 Macro de basculement 26
	5	Vitesse de macro de basculement	000ó255	Rapide à lent

Tour 2 (52CH suite)	Canal	Fonction	Valeur	Pourcentage/Configuration
	6	Contrôle	000ó 009	Pas de fonction
			010ó 014	Noir général en basculement manuel
			015ó 019	Annulation du noir général en basculement manuel
			020ó 024	Macro pour 1 unité
			025ó 029	Macro 1 pour 2 unités
			030ó 034	Macro 2 pour 2 unités
			035ó 039	Macro 4 pour 1 unités
			040ó 044	Macro 4 pour 2 unités
			045ó 049	Macro 4 pour 3 unités
			050ó 054	Macro 4 pour 4 unités
			055ó 059	Réinitialisation du balayage
			060ó 064	Réinitialisation du basculement
			065ó 069	Aucune fonction (réservé pour utilisation future)
			070ó 074	Réinitialisation totale
			075ó 079	Aucune fonction (réservé pour utilisation future)
			080ó 084	Balayage/basculement inverse
			085ó 089	Balayage inverse
			090ó 094	Basculement inverse
			095ó 099	Annulation du balayage inverse
			100ó 104	Annulation du basculement inverse
			105ó 109	Annulation du balayage/basculement inverse
			110ó 114	Aucune fonction (réservé pour utilisation future)
			115ó 119	Connexion de toutes les têtes à la tête 1
120ó 124	Déconnexion de toutes les têtes à la tête 1			
125ó 129	Aucune fonction (réservé pour utilisation future)			
130ó 134	Aucune fonction (réservé pour utilisation future)			
135ó 139	Mode de vitesse de gradation rapide			
140ó 144	Mode de vitesse de gradation doux			
145ó 255	Pas de fonction			
7	Gradateur		000ó 255	0–100%
	8	Obturateur	000ó 019	Arrêt
			020ó 024	Marche
			025ó 064	Rapide à lent
			065ó 069	Marche
			070ó 084	Marche rapide, arrêt lent, rapide à lent
			085ó 089	Marche
			090ó 104	Marche lente ,arrêt rapide, rapide à lent
			105ó 109	Marche
			110ó 124	Aléatoire, rapide à lent
			125ó 129	Marche
			130ó 144	Marche rapide aléatoire, arrêt lent, rapide à lent
			145ó 149	Marche
			150ó 164	Marche lente aléatoire ,arrêt rapide, rapide à lent
			165ó 169	Marche
			170ó 184	Pulsation, rapide à lent
			185ó 189	Marche
			190ó 204	Pulsation aléatoire, rapide à lent
			205ó 209	Marche
			210ó 224	Ouverture et fermeture en fondu, rapide à lent
			225ó 229	Marche
			230ó 244	Pulsation aléatoire, rapide à lent
			245ó 255	Marche

Tour 2 (52CH suite)	Canal	Fonction	Valeur	Pourcentage/Configuration
			000ó 013	Pas de fonction
			014ó 020	Couleur 1
			021ó 028	Couleur 2
			029ó 036	Couleur 3
			037ó 044	Couleur 4
			045ó 052	Couleur 5
			053ó 060	Couleur 6
			061ó 068	Couleur 7
			069ó 076	Couleur 8
			077ó 084	Couleur 9
			085ó 092	Couleur 10
	9	Macro de Couleur	093ó 100	Couleur 11
			101ó 108	Couleur 12
			109ó 116	Couleur 13
			117ó 124	Couleur 14
			125ó 133	Couleur 15
			134ó 185	Pas de fonction
			186ó 207	Effet arc-en-ciel, rapide à lent
			208ó 213	Arrêt
			214ó 235	Effet arc-en-ciel inverse, rapide à lent
			236ó 240	Pas de fonction
			241ó 255	Saut de couleur, rapide à lent

Tour 2 (52CH suite)	Canal	Fonction	Valeur	Pourcentage/Configuration				
				Tête 1	Tête 2	Tête 3	Tête 4	Tête 5
			000ó 005	●	●	●	●	●
			006ó 011	○	●	●	●	●
			012ó 017	○	○	●	●	●
			018ó 023	○	○	○	●	●
			024ó 029	○	○	○	○	●
			030ó 035	○	○	○	○	○
			036ó 041	●	○	○	○	○
			042ó 047	●	●	○	○	○
			048ó 053	●	●	●	○	○
			054ó 059	●	●	●	●	○
			060ó 065	●	●	●	●	●
			066ó 071	○	○	○	○	○
			072ó 077	●	○	○	○	○
			078ó 083	○	●	○	○	○
			084ó 089	○	○	●	○	○
			090ó 095	○	○	○	●	○
			096ó 101	○	○	○	○	●
			102ó 107	○	○	○	○	○
			108ó 113	●	●	○	○	○
			114ó 119	○	●	●	○	○
			120ó 125	○	○	●	●	○
			126ó 131	○	○	○	●	●
			132ó 137	●	○	○	○	●
			138ó 143	○	○	○	○	○
			144ó 149	○	●	●	●	●
			150ó 155	●	○	●	●	●
			156ó 161	●	●	○	●	●
			162ó 167	●	●	●	○	●
			168ó 173	●	●	●	●	○
			174ó 179	○	○	○	○	○
			180ó 185	○	○	○	○	●
			186ó 191	○	○	○	●	●
			192ó 197	○	○	●	●	●
			198ó 203	○	●	●	●	●
			204ó 209	●	●	●	●	●
			210ó 215	○	○	○	○	○
			216ó 221	●	●	●	○	○
			222ó 227	○	●	●	●	○
			228ó 233	○	○	●	●	●
			234ó 239	●	○	○	●	●
			240ó 245	●	●	○	○	●
			246ó 255	●	●	●	●	●

10

Pré-réglage
marche/arrêt
(● = marche;
○ = arrêt)

Tour 2 (52CH suite)	Canal	Fonction	Valeur	Pourcentage/Configuration
11		Macro LED/ Programme automatique	000ó 015	Pas de fonction
			016ó 020	Macro LED 1
			021ó 025	Macro LED 2
			026ó 030	Macro LED 3
			031ó 035	Macro LED 4
			036ó 040	Macro LED 5
			041ó 045	Macro LED 6
			046ó 050	Macro LED 7
			051ó 055	Macro LED 8
			056ó 060	Macro LED 9
			061ó 065	Macro LED 10
			066ó 070	Macro LED 11
			071ó 075	Macro LED 12
			076ó 080	Macro LED 13
			081ó 085	Macro LED 14
			086ó 090	Macro LED 15
			091ó 095	Macro LED 16
			096ó 100	Macro LED 17
			101ó 105	Macro LED 18
			106ó 110	Macro LED 19
			111ó 115	Macro LED 20
			116ó 120	Macro LED 21
			121ó 125	Macro LED 22
			126ó 130	Macro LED 23
			131ó 135	Macro LED 24 (cycle 1–23)
136ó 140	Programme automatique 1			
141ó 145	Programme automatique 2			
146ó 150	Programme automatique 3			
151ó 155	Programme automatique 4			
156ó 160	Programme automatique 5			
161ó 165	Programme automatique 6			
166ó 170	Programme automatique 7			
171ó 175	Programme automatique 8			
176ó 180	Programme automatique 9			
181ó 185	Programme automatique 10			
186ó 190	Programme automatique 11			
191ó 195	Programme automatique 12			
196ó 200	Programme automatique 13			
201ó 205	Programme automatique 14			
206ó 210	Programme automatique 15			
211ó 215	Programme automatique 16			
216ó 220	Programme automatique 17			
221ó 225	Programme automatique 18			
226ó 230	Programme automatique 19			
231ó 235	Programme automatique 20			
236ó 240	Programme automatique 21			
241ó 245	Programme automatique 22			
246ó 250	Programme automatique 23			
251ó 255	Programme automatique 24 (cycle 1–23)			
12		Vitesse de macro LED	000ó 255	Lent à rapide

Tour 2 (52CH suite)	Canal	Fonction	Valeur	Pourcentage/Configuration
	13	Tilt 1	000 0 255	0–100%
	14	Tilt Précis 1	000 0 255	0–100%
	15	Tilt en continu 1	000 001 0 127 128 129 0 255	Pas de fonction Rotation antihoraire, lent à rapide Arrêt Rotation horaire, lent à rapide
	16	Tête Gradateur	000 0 255	0–100%
	17	Tête 1 Rouge	000 0 255	Mode RGBW : 0 à 100% / mode CMY : 100% à 0
	18	Tête 1 Vert	000 0 255	Mode RGBW : 0 à 100% / mode CMY : 100% à 0
	19	Tête 1 Bleu	000 0 255	Mode RGBW : 0 à 100% / mode CMY : 100% à 0
	20	Tête 1 Blanc	000 0 255	Mode RGBW : 0 à 100% / mode CMY : 100% à 0
	21	Tilt 2	000 0 255	0–100%
	22	Tilt Précis 2	000 0 255	0–100%
	23	Tilt en continu 2	000 001 0 127 128 129 0 255	Pas de fonction Rotation antihoraire, lent à rapide Arrêt Rotation horaire, lent à rapide
	24	Tête Gradateur	000 0 255	0–100%
	25	Tête 2 Rouge	000 0 255	Mode RGBW : 0 à 100% / mode CMY : 100% à 0
	26	Tête 2 Vert	000 0 255	Mode RGBW : 0 à 100% / mode CMY : 100% à 0
	27	Tête 2 Bleu	000 0 255	Mode RGBW : 0 à 100% / mode CMY : 100% à 0
	28	Tête 2 Blanc	000 0 255	Mode RGBW : 0 à 100% / mode CMY : 100% à 0
	29	Tilt 3	000 0 255	0–100%
	30	Tilt Précis 3	000 0 255	0–100%
	31	Tilt en continu 3	000 001 0 127 128 129 0 255	Pas de fonction Rotation antihoraire, lent à rapide Arrêt Rotation horaire, lent à rapide
	32	Tête Gradateur	000 0 255	0–100%
	33	Tête 3 Rouge	000 0 255	Mode RGBW : 0 à 100% / mode CMY : 100% à 0
	34	Tête 3 Vert	000 0 255	Mode RGBW : 0 à 100% / mode CMY : 100% à 0
	35	Tête 3 Bleu	000 0 255	Mode RGBW : 0 à 100% / mode CMY : 100% à 0
	36	Tête 3 Blanc	000 0 255	Mode RGBW : 0 à 100% / mode CMY : 100% à 0
	37	Tilt 4	000 0 255	0–100%
	38	Tilt Précis 4	000 0 255	0–100%
	39	Tilt en continu 4	000 001 0 127 128 129 0 255	Pas de fonction Rotation antihoraire, lent à rapide Arrêt Rotation horaire, lent à rapide
	40	Tête Gradateur	000 0 255	0–100%

Tour 2		Canal	Fonction	Valeur	Pourcentage/Configuration
(52CH suite)		41	Tête 4 Rouge	000ó255	Mode RGBW : 0 à 100% / mode CMY : 100% à 0
		42	Tête 4 Vert	000ó255	Mode RGBW : 0 à 100% / mode CMY : 100% à 0
		43	Tête 4 Bleu	000ó255	Mode RGBW : 0 à 100% / mode CMY : 100% à 0
		44	Tête 4 Blanc	000ó255	Mode RGBW : 0 à 100% / mode CMY : 100% à 0
		45	Tilt 5	000ó255	0–100%
		46	Tilt Précis 5	000ó255	0–100%
Tour (47CH)		47	Tilt en continu 5	000	Pas de fonction
				001ó127	Rotation antihoraire, lent à rapide
				128	Arrêt
				129ó255	Rotation horaire, lent à rapide
		48	Tête Gradateur	000ó255	0–100%
		49	Tête 5 Rouge	000ó255	Mode RGBW : 0 à 100% / mode CMY : 100% à 0
		50	Tête 5 Vert	000ó255	Mode RGBW : 0 à 100% / mode CMY : 100% à 0
		51	Tête 5 Bleu	000ó255	Mode RGBW : 0 à 100% / mode CMY : 100% à 0
		52	Tête 5 Blanc	000ó255	Mode RGBW : 0 à 100% / mode CMY : 100% à 0
				Canal	Fonction
1	Pan			000ó255	0–100%
2	Pan Précis			000ó255	0–100%
3	Pan en continu			000	Pas de fonction
				001ó127	Rotation antihoraire, lent à rapide
				128	Arrêt
				129ó255	Rotation horaire, lent à rapide
4	Macro de basculement			000ó047	Pas de fonction
				048ó055	Macro de basculement 1
				056ó063	Macro de basculement 2
		064ó071	Macro de basculement 3		
		072ó079	Macro de basculement 4		
		080ó087	Macro de basculement 5		
		088ó095	Macro de basculement 6		
		096ó103	Macro de basculement 7		
		104ó111	Macro de basculement 8		
		112ó119	Macro de basculement 9		
		120ó127	Macro de basculement 10		
		128ó135	Macro de basculement 11		
		136ó143	Macro de basculement 12		
		144ó151	Macro de basculement 13		
		152ó159	Macro de basculement 14		
		160ó167	Macro de basculement 15		
		168ó175	Macro de basculement 16		
		176ó183	Macro de basculement 17		
		184ó191	Macro de basculement 18		
		192ó199	Macro de basculement 19		
200ó207	Macro de basculement 20				
208ó215	Macro de basculement 21				
216ó223	Macro de basculement 22				
224ó231	Macro de basculement 23				
232ó239	Macro de basculement 24				
240ó247	Macro de basculement 25				
248ó255	Macro de basculement 26				
5	Vitesse de macro de basculement	000ó255	Rapide à lent		

Tour (47CH suite)	Canal	Fonction	Valeur	Pourcentage/Configuration
	6	Contrôle	000ó 009	Pas de fonction
			010ó 014	Noir général en basculement manuel
			015ó 019	Annulation du noir général en basculement manuel
			020ó 024	Macro pour 1 unité
			025ó 029	Macro 1 pour 2 unités
			030ó 034	Macro 2 pour 2 unités
			035ó 039	Macro 4 pour 1 unités
			040ó 044	Macro 4 pour 2 unités
			045ó 049	Macro 4 pour 3 unités
			050ó 054	Macro 4 pour 4 unités
			055ó 059	Réinitialisation du balayage
			060ó 064	Réinitialisation du basculement
			065ó 069	Aucune fonction (réservé pour utilisation future)
			070ó 074	Réinitialisation totale
			075ó 079	Aucune fonction (réservé pour utilisation future)
			080ó 084	Balayage/basculement inverse
			085ó 089	Balayage inverse
			090ó 094	Basculement inverse
			095ó 099	Annulation du balayage inverse
			100ó 104	Annulation du basculement inverse
			105ó 109	Annulation du balayage/basculement inverse
			110ó 114	Aucune fonction (réservé pour utilisation future)
			115ó 119	Connexion de toutes les têtes à la tête 1
120ó 124	Déconnexion de toutes les têtes à la tête 1			
125ó 129	Aucune fonction (réservé pour utilisation future)			
130ó 134	Aucune fonction (réservé pour utilisation future)			
135ó 139	Mode de vitesse de gradation rapide			
140ó 144	Mode de vitesse de gradation doux			
145ó 255	Pas de fonction			
7	7	Gradateur	000ó 255	0–100%
	8	Obturateur	000ó 019	Arrêt
			020ó 024	Marche
			025ó 064	Rapide à lent
			065ó 069	Marche
			070ó 084	Marche rapide, arrêt lent, rapide à lent
			085ó 089	Marche
			090ó 104	Marche lente ,arrêt rapide, rapide à lent
			105ó 109	Marche
			110ó 124	Aléatoire, rapide à lent
			125ó 129	Marche
			130ó 144	Marche rapide aléatoire, arrêt lent, rapide à lent
			145ó 149	Marche
			150ó 164	Marche lente aléatoire ,arrêt rapide, rapide à lent
			165ó 169	Marche
			170ó 184	Pulsation, rapide à lent
			185ó 189	Marche
			190ó 204	Pulsation aléatoire, rapide à lent
			205ó 209	Marche
			210ó 224	Ouverture et fermeture en fondu, rapide à lent
			225ó 229	Marche
			230ó 244	Pulsation aléatoire, rapide à lent
			245ó 255	Marche

Tour (47CH suite)	Canal	Fonction	Valeur	Pourcentage/Configuration
			000ó 013	Pas de fonction
			014ó 020	Couleur 1
			021ó 028	Couleur 2
			029ó 036	Couleur 3
			037ó 044	Couleur 4
			045ó 052	Couleur 5
			053ó 060	Couleur 6
			061ó 068	Couleur 7
			069ó 076	Couleur 8
			077ó 084	Couleur 9
			085ó 092	Couleur 10
	9	Macro de Couleur	093ó 100	Couleur 11
			101ó 108	Couleur 12
			109ó 116	Couleur 13
			117ó 124	Couleur 14
			125ó 133	Couleur 15
			134ó 185	Pas de fonction
			186ó 207	Effet arc-en-ciel, rapide à lent
			208ó 213	Arrêt
			214ó 235	Effet arc-en-ciel inverse, rapide à lent
			236ó 240	Pas de fonction
			241ó 255	Saut de couleur, rapide à lent

Tour (47CH suite)	Canal	Fonction	Valeur	Pourcentage/Configuration				
				Tête 1	Tête 2	Tête 3	Tête 4	Tête 5
			000ó 005	●	●	●	●	●
			006ó 011	○	●	●	●	●
			012ó 017	○	○	●	●	●
			018ó 023	○	○	○	●	●
			024ó 029	○	○	○	○	●
			030ó 035	○	○	○	○	○
			036ó 041	●	○	○	○	○
			042ó 047	●	●	○	○	○
			048ó 053	●	●	●	○	○
			054ó 059	●	●	●	●	○
			060ó 065	●	●	●	●	●
			066ó 071	○	○	○	○	○
			072ó 077	●	○	○	○	○
			078ó 083	○	●	○	○	○
			084ó 089	○	○	●	○	○
			090ó 095	○	○	○	●	○
			096ó 101	○	○	○	○	●
			102ó 107	○	○	○	○	○
			108ó 113	●	●	○	○	○
			114ó 119	○	●	●	○	○
			120ó 125	○	○	●	●	○
			126ó 131	○	○	○	●	●
			132ó 137	●	○	○	○	●
			138ó 143	○	○	○	○	○
			144ó 149	○	●	●	●	●
			150ó 155	●	○	●	●	●
			156ó 161	●	●	○	●	●
			162ó 167	●	●	●	○	●
			168ó 173	●	●	●	●	○
			174ó 179	○	○	○	○	○
			180ó 185	○	○	○	○	●
			186ó 191	○	○	○	●	●
			192ó 197	○	○	●	●	●
			198ó 203	○	●	●	●	●
			204ó 209	●	●	●	●	●
			210ó 215	○	○	○	○	○
			216ó 221	●	●	●	○	○
			222ó 227	○	●	●	●	○
			228ó 233	○	○	●	●	●
			234ó 239	●	○	○	●	●
			240ó 245	●	●	○	○	●
			246ó 255	●	●	●	●	●

10

Pré-réglage
marche/arrêt
(● = marche;
○ = arrêt)

Tour (47CH suite)	Canal	Fonction	Valeur	Pourcentage/Configuration
11		Macro LED/ Programme automatique	000ó 015	Pas de fonction
			016ó 020	Macro LED 1
			021ó 025	Macro LED 2
			026ó 030	Macro LED 3
			031ó 035	Macro LED 4
			036ó 040	Macro LED 5
			041ó 045	Macro LED 6
			046ó 050	Macro LED 7
			051ó 055	Macro LED 8
			056ó 060	Macro LED 9
			061ó 065	Macro LED 10
			066ó 070	Macro LED 11
			071ó 075	Macro LED 12
			076ó 080	Macro LED 13
			081ó 085	Macro LED 14
			086ó 090	Macro LED 15
			091ó 095	Macro LED 16
			096ó 100	Macro LED 17
			101ó 105	Macro LED 18
			106ó 110	Macro LED 19
			111ó 115	Macro LED 20
			116ó 120	Macro LED 21
			121ó 125	Macro LED 22
			126ó 130	Macro LED 23
			131ó 135	Macro LED 24 (cycle 1–23)
136ó 140	Programme automatique 1			
141ó 145	Programme automatique 2			
146ó 150	Programme automatique 3			
151ó 155	Programme automatique 4			
156ó 160	Programme automatique 5			
161ó 165	Programme automatique 6			
166ó 170	Programme automatique 7			
171ó 175	Programme automatique 8			
176ó 180	Programme automatique 9			
181ó 185	Programme automatique 10			
186ó 190	Programme automatique 11			
191ó 195	Programme automatique 12			
196ó 200	Programme automatique 13			
201ó 205	Programme automatique 14			
206ó 210	Programme automatique 15			
211ó 215	Programme automatique 16			
216ó 220	Programme automatique 17			
221ó 225	Programme automatique 18			
226ó 230	Programme automatique 19			
231ó 235	Programme automatique 20			
236ó 240	Programme automatique 21			
241ó 245	Programme automatique 22			
246ó 250	Programme automatique 23			
251ó 255	Programme automatique 24 (cycle 1–23)			
12		Vitesse de macro LED	000ó 255	Lent à rapide

Tour (47CH suite)	Canal	Fonction	Valeur	Pourcentage/Configuration
	13	Tilt 1	000 0 255	0–100%
	14	Tilt Précis 1	000 0 255	0–100%
	15	Tilt en continu 1	000	Pas de fonction
			001 0 127	Rotation antihoraire, lent à rapide
			128	Arrêt
			129 0 255	Rotation horaire, lent à rapide
	16	Tête 1 Rouge	000 0 255	Mode RGBW : 0 à 100% / mode CMY : 100% à 0
	17	Tête 1 Vert	000 0 255	Mode RGBW : 0 à 100% / mode CMY : 100% à 0
	18	Tête 1 Bleu	000 0 255	Mode RGBW : 0 à 100% / mode CMY : 100% à 0
	19	Tête 1 Blanc	000 0 255	Mode RGBW : 0 à 100% / mode CMY : 100% à 0
	20	Tilt 2	000 0 255	0–100%
	21	Tilt Précis 2	000 0 255	0–100%
	22	Tilt en continu 2	000	Pas de fonction
			001 0 127	Rotation antihoraire, lent à rapide
			128	Arrêt
			129 0 255	Rotation horaire, lent à rapide
	23	Tête 2 Rouge	000 0 255	Mode RGBW : 0 à 100% / mode CMY : 100% à 0
	24	Tête 2 Vert	000 0 255	Mode RGBW : 0 à 100% / mode CMY : 100% à 0
	25	Tête 2 Bleu	000 0 255	Mode RGBW : 0 à 100% / mode CMY : 100% à 0
	26	Tête 2 Blanc	000 0 255	Mode RGBW : 0 à 100% / mode CMY : 100% à 0
	27	Tilt 3	000 0 255	0–100%
	28	Tilt Précis 3	000 0 255	0–100%
	29	Tilt en continu 3	000	Pas de fonction
			001 0 127	Rotation antihoraire, lent à rapide
			128	Arrêt
			129 0 255	Rotation horaire, lent à rapide
	30	Tête 3 Rouge	000 0 255	Mode RGBW : 0 à 100% / mode CMY : 100% à 0
	31	Tête 3 Vert	000 0 255	Mode RGBW : 0 à 100% / mode CMY : 100% à 0
	32	Tête 3 Bleu	000 0 255	Mode RGBW : 0 à 100% / mode CMY : 100% à 0
	33	Tête 3 Blanc	000 0 255	Mode RGBW : 0 à 100% / mode CMY : 100% à 0
	34	Tilt 4	000 0 255	0–100%
	35	Tilt Précis 4	000 0 255	0–100%
	36	Tilt en continu 4	000	Pas de fonction
			001 0 127	Rotation antihoraire, lent à rapide
			128	Arrêt
			129 0 255	Rotation horaire, lent à rapide
	37	Tête 4 Rouge	000 0 255	Mode RGBW : 0 à 100% / mode CMY : 100% à 0
	38	Tête 4 Vert	000 0 255	Mode RGBW : 0 à 100% / mode CMY : 100% à 0
	39	Tête 4 Bleu	000 0 255	Mode RGBW : 0 à 100% / mode CMY : 100% à 0
	40	Tête 4 Blanc	000 0 255	Mode RGBW : 0 à 100% / mode CMY : 100% à 0
	41	Tilt 5	000 0 255	0–100%
	42	Tilt Précis 5	000 0 255	0–100%
	43	Tilt en continu 5	000	Pas de fonction
			001 0 127	Rotation antihoraire, lent à rapide
			128	Arrêt
			129 0 255	Rotation horaire, lent à rapide
	44	Tête 5 Rouge	000 0 255	Mode RGBW : 0 à 100% / mode CMY : 100% à 0
	45	Tête 5 Vert	000 0 255	Mode RGBW : 0 à 100% / mode CMY : 100% à 0
	46	Tête 5 Bleu	000 0 255	Mode RGBW : 0 à 100% / mode CMY : 100% à 0
	47	Tête 5 Blanc	000 0 255	Mode RGBW : 0 à 100% / mode CMY : 100% à 0

Mode	Canal	Fonction	Valeur	Pourcentage/Configuration
"Advanced" (47CH)	1	Pan	000ó255	0-100%
	2	Pan Précis	000ó255	0-100%
	3	Pan en continu	000 001ó127 128 129ó255	Pas de fonction Rotation antihoraire, lent à rapide Arrêt Rotation horaire, lent à rapide
	4	Tilt 1	000ó255	0-100%
	5	Tilt Précis 1	000ó255	0-100%
	6	Tilt 2	000ó255	0-100%
	7	Tilt Précis 2	000ó255	0-100%
	8	Tilt 3	000ó255	0-100%
	9	Tilt Précis 3	000ó255	0-100%
	10	Tilt 4	000ó255	0-100%
	11	Tilt Précis 4	000ó255	0-100%
	12	Tilt 5	000ó255	0-100%
	13	Tilt Précis 5	000ó255	0-100%
14	Tilt en continu 1	000 001ó127 128 129ó255	Pas de fonction Rotation antihoraire, lent à rapide Arrêt Rotation horaire, lent à rapide	
15	Tilt en continu 2	000 001ó127 128 129ó255	Pas de fonction Rotation antihoraire, lent à rapide Arrêt Rotation horaire, lent à rapide	
16	Tilt en continu 3	000 001ó127 128 129ó255	Pas de fonction Rotation antihoraire, lent à rapide Arrêt Rotation horaire, lent à rapide	
17	Tilt en continu 4	000 001ó127 128 129ó255	Pas de fonction Rotation antihoraire, lent à rapide Arrêt Rotation horaire, lent à rapide	
18	Tilt en continu 5	000 001ó127 128 129ó255	Pas de fonction Rotation antihoraire, lent à rapide Arrêt Rotation horaire, lent à rapide	

Mode	Canal	Fonction	Valeur	Pourcentage/Configuration
"Advanced" (47CH suite)	19	Macro de basculement	000ó 047	Pas de fonction
			048ó 055	Macro de basculement 1
			056ó 063	Macro de basculement 2
			064ó 071	Macro de basculement 3
			072ó 079	Macro de basculement 4
			080ó 087	Macro de basculement 5
			088ó 095	Macro de basculement 6
			096ó 103	Macro de basculement 7
			104ó 111	Macro de basculement 8
			112ó 119	Macro de basculement 9
			120ó 127	Macro de basculement 10
			128ó 135	Macro de basculement 11
			136ó 143	Macro de basculement 12
			144ó 151	Macro de basculement 13
			152ó 159	Macro de basculement 14
			160ó 167	Macro de basculement 15
			168ó 175	Macro de basculement 16
			176ó 183	Macro de basculement 17
			184ó 191	Macro de basculement 18
			192ó 199	Macro de basculement 19
			200ó 207	Macro de basculement 20
			208ó 215	Macro de basculement 21
			216ó 223	Macro de basculement 22
			224ó 231	Macro de basculement 23
			232ó 239	Macro de basculement 24
			240ó 247	Macro de basculement 25
248ó 255	Macro de basculement 26			
20	Vitesse de macro de basculement	000ó 255	Rapide à lent	

Mode	Canal	Fonction	Valeur	Pourcentage/Configuration			
"Advanced" (47CH suite)	21	Contrôle	000ó 009	Pas de fonction			
			010ó 014	Noir général en basculement manuel			
			015ó 019	Annulation du noir général en basculement manuel			
			020ó 024	Macro pour 1 unité			
			025ó 029	Macro 1 pour 2 unités			
			030ó 034	Macro 2 pour 2 unités			
			035ó 039	Macro 4 pour 1 unités			
			040ó 044	Macro 4 pour 2 unités			
			045ó 049	Macro 4 pour 3 unités			
			050ó 054	Macro 4 pour 4 unités			
			055ó 059	Réinitialisation du balayage			
			060ó 064	Réinitialisation du basculement			
			065ó 069	Aucune fonction (réservé pour utilisation future)			
			070ó 074	Réinitialisation totale			
			075ó 079	Aucune fonction (réservé pour utilisation future)			
			080ó 084	Balayage/basculement inverse			
			085ó 089	Balayage inverse			
			090ó 094	Basculement inverse			
			095ó 099	Annulation du balayage inverse			
			100ó 104	Annulation du basculement inverse			
			105ó 109	Annulation du balayage/basculement inverse			
			110ó 114	Aucune fonction (réservé pour utilisation future)			
			115ó 119	Connexion de toutes les têtes à la tête 1			
			120ó 124	Déconnexion de toutes les têtes à la tête 1			
			125ó 129	Aucune fonction (réservé pour utilisation future)			
			130ó 134	Aucune fonction (réservé pour utilisation future)			
			135ó 139	Mode de vitesse de gradation rapide			
			140ó 144	Mode de vitesse de gradation doux			
			145ó 255	Pas de fonction			
			22	Gradateur		000ó 255	0–100%
				23	Obturateur	000ó 019	Arrêt
						020ó 024	Marche
						025ó 064	Rapide à lent
065ó 069	Marche						
070ó 084	Marche rapide, arrêt lent, rapide à lent						
085ó 089	Marche						
090ó 104	Marche lente ,arrêt rapide, rapide à lent						
105ó 109	Marche						
110ó 124	Aléatoire, rapide à lent						
125ó 129	Marche						
130ó 144	Marche rapide aléatoire, arrêt lent, rapide à lent						
145ó 149	Marche						
150ó 164	Marche lente aléatoire ,arrêt rapide, rapide à lent						
165ó 169	Marche						
170ó 184	Pulsation, rapide à lent						
185ó 189	Marche						
190ó 204	Pulsation aléatoire, rapide à lent						
205ó 209	Marche						
210ó 224	Ouverture et fermeture en fondu, rapide à lent						
225ó 229	Marche						
230ó 244	Pulsation aléatoire, rapide à lent						
245ó 255	Marche						

Mode	Canal	Fonction	Valeur	Pourcentage/Configuration
"Advanced" (47CH suite)	24	Macro de Couleur	000 013	Pas de fonction
			014 020	Couleur 1
			021 028	Couleur 2
			029 036	Couleur 3
			037 044	Couleur 4
			045 052	Couleur 5
			053 060	Couleur 6
			061 068	Couleur 7
			069 076	Couleur 8
			077 084	Couleur 9
			085 092	Couleur 10
			093 100	Couleur 11
			101 108	Couleur 12
			109 116	Couleur 13
			117 124	Couleur 14
			125 133	Couleur 15
			134 185	Pas de fonction
			186 207	Effet arc-en-ciel, rapide à lent
			208 213	Arrêt
			214 235	Effet arc-en-ciel inverse, rapide à lent
			236 240	Pas de fonction
			241 255	Saut de couleur, rapide à lent

Mode "Advanced" (47CH suite)	Canal	Fonction	Valeur	Pourcentage/Configuration				
				Tête 1	Tête 2	Tête 3	Tête 4	Tête 5
			000ó 005	●	●	●	●	●
			006ó 011	○	●	●	●	●
			012ó 017	○	○	●	●	●
			018ó 023	○	○	○	●	●
			024ó 029	○	○	○	○	●
			030ó 035	○	○	○	○	○
			036ó 041	●	○	○	○	○
			042ó 047	●	●	○	○	○
			048ó 053	●	●	●	○	○
			054ó 059	●	●	●	●	○
			060ó 065	●	●	●	●	●
			066ó 071	○	○	○	○	○
			072ó 077	●	○	○	○	○
			078ó 083	○	●	○	○	○
			084ó 089	○	○	●	○	○
			090ó 095	○	○	○	●	○
			096ó 101	○	○	○	○	●
			102ó 107	○	○	○	○	○
			108ó 113	●	●	○	○	○
			114ó 119	○	●	●	○	○
			120ó 125	○	○	●	●	○
			126ó 131	○	○	○	●	●
			132ó 137	●	○	○	○	●
			138ó 143	○	○	○	○	○
			144ó 149	○	●	●	●	●
			150ó 155	●	○	●	●	●
			156ó 161	●	●	○	●	●
			162ó 167	●	●	●	○	●
			168ó 173	●	●	●	●	○
			174ó 179	○	○	○	○	○
			180ó 185	○	○	○	○	●
			186ó 191	○	○	○	●	●
			192ó 197	○	○	●	●	●
			198ó 203	○	●	●	●	●
			204ó 209	●	●	●	●	●
			210ó 215	○	○	○	○	○
			216ó 221	●	●	●	○	○
			222ó 227	○	●	●	●	○
			228ó 233	○	○	●	●	●
			234ó 239	●	○	○	●	●
			240ó 245	●	●	○	○	●
			246ó 255	●	●	●	●	●

25

Pré-réglage
marche/arrêt
(● = marche;
○ = arrêt)

Mode	Canal	Fonction	Valeur	Pourcentage/Configuration
"Advanced" (47CH suite)	26	Macro LED/ Programme automatique	000 015	Pas de fonction
			016 020	Macro LED 1
			021 025	Macro LED 2
			026 030	Macro LED 3
			031 035	Macro LED 4
			036 040	Macro LED 5
			041 045	Macro LED 6
			046 050	Macro LED 7
			051 055	Macro LED 8
			056 060	Macro LED 9
			061 065	Macro LED 10
			066 070	Macro LED 11
			071 075	Macro LED 12
			076 080	Macro LED 13
			081 085	Macro LED 14
			086 090	Macro LED 15
			091 095	Macro LED 16
			096 100	Macro LED 17
			101 105	Macro LED 18
			106 110	Macro LED 19
			111 115	Macro LED 20
			116 120	Macro LED 21
			121 125	Macro LED 22
			126 130	Macro LED 23
			131 135	Macro LED 24 (cycle 1-23)
			136 140	Programme automatique 1
			141 145	Programme automatique 2
			146 150	Programme automatique 3
			151 155	Programme automatique 4
			156 160	Programme automatique 5
			161 165	Programme automatique 6
			166 170	Programme automatique 7
171 175	Programme automatique 8			
176 180	Programme automatique 9			
181 185	Programme automatique 10			
186 190	Programme automatique 11			
191 195	Programme automatique 12			
196 200	Programme automatique 13			
201 205	Programme automatique 14			
206 210	Programme automatique 15			
211 215	Programme automatique 16			
216 220	Programme automatique 17			
221 225	Programme automatique 18			
226 230	Programme automatique 19			
231 235	Programme automatique 20			
236 240	Programme automatique 21			
241 245	Programme automatique 22			
246 250	Programme automatique 23			
251 255	Programme automatique 24 (cycle 1-23)			
27	Vitesse de macro LED	000 255	Lent à rapide	

Mode	Canal	Fonction	Valeur	Pourcentage/Configuration
"Advanced" (47CH suite)	28	Tête 1 Rouge	000ó255	Mode RGBW : 0 à 100% / mode CMY : 100% à 0
	29	Tête 1 Vert	000ó255	Mode RGBW : 0 à 100% / mode CMY : 100% à 0
	30	Tête 1 Bleu	000ó255	Mode RGBW : 0 à 100% / mode CMY : 100% à 0
	31	Tête 1 Blanc	000ó255	Mode RGBW : 0 à 100% / mode CMY : 100% à 0
	32	Tête 2 Rouge	000ó255	Mode RGBW : 0 à 100% / mode CMY : 100% à 0
	33	Tête 2 Vert	000ó255	Mode RGBW : 0 à 100% / mode CMY : 100% à 0
	34	Tête 2 Bleu	000ó255	Mode RGBW : 0 à 100% / mode CMY : 100% à 0
	35	Tête 2 Blanc	000ó255	Mode RGBW : 0 à 100% / mode CMY : 100% à 0
	36	Tête 3 Rouge	000ó255	Mode RGBW : 0 à 100% / mode CMY : 100% à 0
	37	Tête 3 Vert	000ó255	Mode RGBW : 0 à 100% / mode CMY : 100% à 0
	38	Tête 3 Bleu	000ó255	Mode RGBW : 0 à 100% / mode CMY : 100% à 0
	39	Tête 3 Blanc	000ó255	Mode RGBW : 0 à 100% / mode CMY : 100% à 0
	40	Tête 4 Rouge	000ó255	Mode RGBW : 0 à 100% / mode CMY : 100% à 0
	41	Tête 4 Vert	000ó255	Mode RGBW : 0 à 100% / mode CMY : 100% à 0
	42	Tête 4 Bleu	000ó255	Mode RGBW : 0 à 100% / mode CMY : 100% à 0
	43	Tête 4 Blanc	000ó255	Mode RGBW : 0 à 100% / mode CMY : 100% à 0
	44	Tête 5 Rouge	000ó255	Mode RGBW : 0 à 100% / mode CMY : 100% à 0
45	Tête 5 Vert	000ó255	Mode RGBW : 0 à 100% / mode CMY : 100% à 0	
46	Tête 5 Bleu	000ó255	Mode RGBW : 0 à 100% / mode CMY : 100% à 0	
47	Tête 5 Blanc	000ó255	Mode RGBW : 0 à 100% / mode CMY : 100% à 0	

Mode	Canal	Fonction	Valeur	Pourcentage/Configuration
"Standard" (25CH)	1	Pan	000 0 255	0–100%
	2	Pan en continu	000	Pas de fonction
			001 0 127	Rotation antihoraire, lent à rapide
			128	Arrêt
	3	Tilt 1	129 0 255	Rotation horaire, lent à rapide
			000 0 255	0–100%
			000 0 255	0–100%
	4	Tilt 2	000 0 255	0–100%
	5	Tilt 3	000 0 255	0–100%
	6	Tilt 4	000 0 255	0–100%
	7	Tilt 5	000 0 255	0–100%
	8	Tilt en continu 1	000	Pas de fonction
001 0 127			Rotation antihoraire, lent à rapide	
128			Arrêt	
9	Tilt en continu 2	129 0 255	Rotation horaire, lent à rapide	
		000	Pas de fonction	
		001 0 127	Rotation antihoraire, lent à rapide	
10	Tilt en continu 3	128	Arrêt	
		129 0 255	Rotation horaire, lent à rapide	
		000	Pas de fonction	
11	Tilt en continu 4	001 0 127	Rotation antihoraire, lent à rapide	
		128	Arrêt	
		129 0 255	Rotation horaire, lent à rapide	
12	Tilt en continu 5	000	Pas de fonction	
		001 0 127	Rotation antihoraire, lent à rapide	
		128	Arrêt	
			129 0 255	Rotation horaire, lent à rapide

Mode	Canal	Fonction	Valeur	Pourcentage/Configuration
“Standard” (25CH suite)	13	Macro de basculement	000ó 047	Pas de fonction
			048ó 055	Macro de basculement 1
			056ó 063	Macro de basculement 2
			064ó 071	Macro de basculement 3
			072ó 079	Macro de basculement 4
			080ó 087	Macro de basculement 5
			088ó 095	Macro de basculement 6
			096ó 103	Macro de basculement 7
			104ó 111	Macro de basculement 8
			112ó 119	Macro de basculement 9
			120ó 127	Macro de basculement 10
			128ó 135	Macro de basculement 11
			136ó 143	Macro de basculement 12
			144ó 151	Macro de basculement 13
			152ó 159	Macro de basculement 14
			160ó 167	Macro de basculement 15
			168ó 175	Macro de basculement 16
			176ó 183	Macro de basculement 17
			184ó 191	Macro de basculement 18
			192ó 199	Macro de basculement 19
			200ó 207	Macro de basculement 20
			208ó 215	Macro de basculement 21
			216ó 223	Macro de basculement 22
			224ó 231	Macro de basculement 23
			232ó 239	Macro de basculement 24
240ó 247	Macro de basculement 25			
248ó 255	Macro de basculement 26			
14	Vitesse de macro de basculement	000ó 255	Rapide à lent	

Mode	Canal	Fonction	Valeur	Pourcentage/Configuration			
"Standard" (25CH suite)	15	Contrôle	000ó 009	Pas de fonction			
			010ó 014	Noir général en basculement manuel			
			015ó 019	Annulation du noir général en basculement manuel			
			020ó 024	Macro pour 1 unité			
			025ó 029	Macro 1 pour 2 unités			
			030ó 034	Macro 2 pour 2 unités			
			035ó 039	Macro 4 pour 1 unités			
			040ó 044	Macro 4 pour 2 unités			
			045ó 049	Macro 4 pour 3 unités			
			050ó 054	Macro 4 pour 4 unités			
			055ó 059	Réinitialisation du balayage			
			060ó 064	Réinitialisation du basculement			
			065ó 069	Aucune fonction (réservé pour utilisation future)			
			070ó 074	Réinitialisation totale			
			075ó 079	Aucune fonction (réservé pour utilisation future)			
			080ó 084	Balayage/basculement inverse			
			085ó 089	Balayage inverse			
			090ó 094	Basculement inverse			
			095ó 099	Annulation du balayage inverse			
			100ó 104	Annulation du basculement inverse			
			105ó 109	Annulation du balayage/basculement inverse			
			110ó 114	Aucune fonction (réservé pour utilisation future)			
			115ó 119	Connexion de toutes les têtes à la tête 1			
			120ó 124	Déconnexion de toutes les têtes à la tête 1			
			125ó 129	Aucune fonction (réservé pour utilisation future)			
			130ó 134	Aucune fonction (réservé pour utilisation future)			
			135ó 139	Mode de vitesse de gradation rapide			
			140ó 144	Mode de vitesse de gradation doux			
			145ó 255	Pas de fonction			
			16	Gradateur	000ó 255	0–100%	
				17	Obturateur	000ó 019	Arrêt
						020ó 024	Marche
						025ó 064	Rapide à lent
065ó 069	Marche						
070ó 084	Marche rapide, arrêt lent, rapide à lent						
085ó 089	Marche						
090ó 104	Marche lente ,arrêt rapide, rapide à lent						
105ó 109	Marche						
110ó 124	Aléatoire, rapide à lent						
125ó 129	Marche						
130ó 144	Marche rapide aléatoire, arrêt lent, rapide à lent						
145ó 149	Marche						
150ó 164	Marche lente aléatoire ,arrêt rapide, rapide à lent						
165ó 169	Marche						
170ó 184	Pulsation, rapide à lent						
185ó 189	Marche						
190ó 204	Pulsation aléatoire, rapide à lent						
205ó 209	Marche						
210ó 224	Ouverture et fermeture en fondu, rapide à lent						
225ó 229	Marche						
230ó 244	Pulsation aléatoire, rapide à lent						
245ó 255	Marche						

Mode	Canal	Fonction	Valeur	Pourcentage/Configuration
"Standard" (25CH suite)	18	Macro de Couleur	000ó 013	Pas de fonction
			014ó 020	Couleur 1
			021ó 028	Couleur 2
			029ó 036	Couleur 3
			037ó 044	Couleur 4
			045ó 052	Couleur 5
			053ó 060	Couleur 6
			061ó 068	Couleur 7
			069ó 076	Couleur 8
			077ó 084	Couleur 9
			085ó 092	Couleur 10
			093ó 100	Couleur 11
			101ó 108	Couleur 12
			109ó 116	Couleur 13
			117ó 124	Couleur 14
			125ó 133	Couleur 15
			134ó 185	Pas de fonction
			186ó 207	Effet arc-en-ciel, rapide à lent
			208ó 213	Arrêt
			214ó 235	Effet arc-en-ciel inverse, rapide à lent
			236ó 240	Pas de fonction
			241ó 255	Saut de couleur, rapide à lent

Mode "Standard" (25CH suite)	Canal	Fonction	Valeur	Pourcentage/Configuration				
				Tête 1	Tête 2	Tête 3	Tête 4	Tête 5
			000ó 005	●	●	●	●	●
			006ó 011	○	●	●	●	●
			012ó 017	○	○	●	●	●
			018ó 023	○	○	○	●	●
			024ó 029	○	○	○	○	●
			030ó 035	○	○	○	○	○
			036ó 041	●	○	○	○	○
			042ó 047	●	●	○	○	○
			048ó 053	●	●	●	○	○
			054ó 059	●	●	●	●	○
			060ó 065	●	●	●	●	●
			066ó 071	○	○	○	○	○
			072ó 077	●	○	○	○	○
			078ó 083	○	●	○	○	○
			084ó 089	○	○	●	○	○
			090ó 095	○	○	○	●	○
			096ó 101	○	○	○	○	●
			102ó 107	○	○	○	○	○
			108ó 113	●	●	○	○	○
			114ó 119	○	●	●	○	○
			120ó 125	○	○	●	●	○
			126ó 131	○	○	○	●	●
			132ó 137	●	○	○	○	●
			138ó 143	○	○	○	○	○
			144ó 149	○	●	●	●	●
			150ó 155	●	○	●	●	●
			156ó 161	●	●	○	●	●
			162ó 167	●	●	●	○	●
			168ó 173	●	●	●	●	○
			174ó 179	○	○	○	○	○
			180ó 185	○	○	○	○	●
			186ó 191	○	○	○	●	●
			192ó 197	○	○	●	●	●
			198ó 203	○	●	●	●	●
			204ó 209	●	●	●	●	●
			210ó 215	○	○	○	○	○
			216ó 221	●	●	●	○	○
			222ó 227	○	●	●	●	○
			228ó 233	○	○	●	●	●
			234ó 239	●	○	○	●	●
			240ó 245	●	●	○	○	●
			246ó 255	●	●	●	●	●

19

Pré-réglage
marche/arrêt
(● = marche;
○ = arrêt)

Mode	Canal	Fonction	Valeur	Pourcentage/Configuration
"Standard" (25CH suite)	20	Macro LED/ Programme automatique	000ó 015	Pas de fonction
			016ó 020	Macro LED 1
			021ó 025	Macro LED 2
			026ó 030	Macro LED 3
			031ó 035	Macro LED 4
			036ó 040	Macro LED 5
			041ó 045	Macro LED 6
			046ó 050	Macro LED 7
			051ó 055	Macro LED 8
			056ó 060	Macro LED 9
			061ó 065	Macro LED 10
			066ó 070	Macro LED 11
			071ó 075	Macro LED 12
			076ó 080	Macro LED 13
			081ó 085	Macro LED 14
			086ó 090	Macro LED 15
			091ó 095	Macro LED 16
			096ó 100	Macro LED 17
			101ó 105	Macro LED 18
			106ó 110	Macro LED 19
			111ó 115	Macro LED 20
			116ó 120	Macro LED 21
			121ó 125	Macro LED 22
			126ó 130	Macro LED 23
			131ó 135	Macro LED 24 (cycle 1–23)
			136ó 140	Programme automatique 1
			141ó 145	Programme automatique 2
			146ó 150	Programme automatique 3
			151ó 155	Programme automatique 4
			156ó 160	Programme automatique 5
			161ó 165	Programme automatique 6
			166ó 170	Programme automatique 7
			171ó 175	Programme automatique 8
176ó 180	Programme automatique 9			
181ó 185	Programme automatique 10			
186ó 190	Programme automatique 11			
191ó 195	Programme automatique 12			
196ó 200	Programme automatique 13			
201ó 205	Programme automatique 14			
206ó 210	Programme automatique 15			
211ó 215	Programme automatique 16			
216ó 220	Programme automatique 17			
221ó 225	Programme automatique 18			
226ó 230	Programme automatique 19			
231ó 235	Programme automatique 20			
236ó 240	Programme automatique 21			
241ó 245	Programme automatique 22			
246ó 250	Programme automatique 23			
251ó 255	Programme automatique 24 (cycle 1–23)			
21	Vitesse de macro LED	000ó 255	Lent à rapide	

Mode	Canal	Fonction	Valeur	Pourcentage/Configuration
"Standard" (25CH suite)	22	Rouge	000ó 255	Mode RGBW : 0 à 100% / mode CMY : 100% à 0
	23	Vert	000ó 255	Mode RGBW : 0 à 100% / mode CMY : 100% à 0
	24	Bleu	000ó 255	Mode RGBW : 0 à 100% / mode CMY : 100% à 0
	25	Blanc	000ó 255	Mode RGBW : 0 à 100% / mode CMY : 100% à 0

Mode	Canal	Fonction	Valeur	Pourcentage/Configuration
"Basic" (18CH)	1	Pan	000ó 255	0–100%
	2	Pan en continu	000	Pas de fonction
			001ó 127	Rotation antihoraire, lent à rapide
			128	Arrêt
			129ó 255	Rotation horaire, lent à rapide
	3	Tilt tous	000ó 255	0–100%
	4	Tilt tous en continu	000	Pas de fonction
			001ó 127	Rotation antihoraire, lent à rapide
			128	Arrêt
			129ó 255	Rotation horaire, lent à rapide
5	Décalage du basculement	000ó 255	Décale les têtes les unes des autres, 0 à 360°	
6	Macro de basculement	000ó 047	Pas de fonction	
		048ó 055	Macro de basculement 1	
		056ó 063	Macro de basculement 2	
		064ó 071	Macro de basculement 3	
		072ó 079	Macro de basculement 4	
		080ó 087	Macro de basculement 5	
		088ó 095	Macro de basculement 6	
		096ó 103	Macro de basculement 7	
		104ó 111	Macro de basculement 8	
		112ó 119	Macro de basculement 9	
		120ó 127	Macro de basculement 10	
		128ó 135	Macro de basculement 11	
		136ó 143	Macro de basculement 12	
		144ó 151	Macro de basculement 13	
		152ó 159	Macro de basculement 14	
		160ó 167	Macro de basculement 15	
		168ó 175	Macro de basculement 16	
		176ó 183	Macro de basculement 17	
		184ó 191	Macro de basculement 18	
		192ó 199	Macro de basculement 19	
200ó 207	Macro de basculement 20			
208ó 215	Macro de basculement 21			
216ó 223	Macro de basculement 22			
224ó 231	Macro de basculement 23			
232ó 239	Macro de basculement 24			
240ó 247	Macro de basculement 25			
248ó 255	Macro de basculement 26			
7	Vitesse de macro de basculement	000ó 255	Rapide à lent	

Mode	Canal	Fonction	Valeur	Pourcentage/Configuration			
"Basic" (18CH suite)	8	Contrôle	000ó 009	Pas de fonction			
			010ó 014	Noir général en basculement manuel			
			015ó 019	Annulation du noir général en basculement manuel			
			020ó 024	Macro pour 1 unité			
			025ó 029	Macro 1 pour 2 unités			
			030ó 034	Macro 2 pour 2 unités			
			035ó 039	Macro 4 pour 1 unités			
			040ó 044	Macro 4 pour 2 unités			
			045ó 049	Macro 4 pour 3 unités			
			050ó 054	Macro 4 pour 4 unités			
			055ó 059	Réinitialisation du balayage			
			060ó 064	Réinitialisation du basculement			
			065ó 069	Aucune fonction (réservé pour utilisation future)			
			070ó 074	Réinitialisation totale			
			075ó 079	Aucune fonction (réservé pour utilisation future)			
			080ó 084	Balayage/basculement inverse			
			085ó 089	Balayage inverse			
			090ó 094	Basculement inverse			
			095ó 099	Annulation du balayage inverse			
			100ó 104	Annulation du basculement inverse			
			105ó 109	Annulation du balayage/basculement inverse			
			110ó 114	Aucune fonction (réservé pour utilisation future)			
			115ó 119	Connexion de toutes les têtes à la tête 1			
			120ó 124	Déconnexion de toutes les têtes à la tête 1			
			125ó 129	Aucune fonction (réservé pour utilisation future)			
			130ó 134	Aucune fonction (réservé pour utilisation future)			
			135ó 139	Mode de vitesse de gradation rapide			
			140ó 144	Mode de vitesse de gradation doux			
			145ó 255	Pas de fonction			
			9	Gradateur		000ó 255	0–100%
				10	Obturateur	000ó 019	Arrêt
						020ó 024	Marche
						025ó 064	Rapide à lent
065ó 069	Marche						
070ó 084	Marche rapide, arrêt lent, rapide à lent						
085ó 089	Marche						
090ó 104	Marche lente ,arrêt rapide, rapide à lent						
105ó 109	Marche						
110ó 124	Aléatoire, rapide à lent						
125ó 129	Marche						
130ó 144	Marche rapide aléatoire, arrêt lent, rapide à lent						
145ó 149	Marche						
150ó 164	Marche lente aléatoire ,arrêt rapide, rapide à lent						
165ó 169	Marche						
170ó 184	Pulsation, rapide à lent						
185ó 189	Marche						
190ó 204	Pulsation aléatoire, rapide à lent						
205ó 209	Marche						
210ó 224	Ouverture et fermeture en fondu, rapide à lent						
225ó 229	Marche						
230ó 244	Pulsation aléatoire, rapide à lent						
245ó 255	Marche						

Mode	Canal	Fonction	Valeur	Pourcentage/Configuration
"Basic" (18CH suite)	11	Macro de Couleur	000 013	Pas de fonction
			014 020	Couleur 1
			021 028	Couleur 2
			029 036	Couleur 3
			037 044	Couleur 4
			045 052	Couleur 5
			053 060	Couleur 6
			061 068	Couleur 7
			069 076	Couleur 8
			077 084	Couleur 9
			085 092	Couleur 10
			093 100	Couleur 11
			101 108	Couleur 12
			109 116	Couleur 13
			117 124	Couleur 14
			125 133	Couleur 15
			134 185	Pas de fonction
			186 207	Effet arc-en-ciel, rapide à lent
			208 213	Arrêt
			214 235	Effet arc-en-ciel inverse, rapide à lent
			236 240	Pas de fonction
			241 255	Saut de couleur, rapide à lent

Mode "Basic" (18CH suite)	Canal	Fonction	Valeur	Pourcentage/Configuration				
				Tête 1	Tête 2	Tête 3	Tête 4	Tête 5
			000ó 005	●	●	●	●	●
			006ó 011	○	●	●	●	●
			012ó 017	○	○	●	●	●
			018ó 023	○	○	○	●	●
			024ó 029	○	○	○	○	●
			030ó 035	○	○	○	○	○
			036ó 041	●	○	○	○	○
			042ó 047	●	●	○	○	○
			048ó 053	●	●	●	○	○
			054ó 059	●	●	●	●	○
			060ó 065	●	●	●	●	●
			066ó 071	○	○	○	○	○
			072ó 077	●	○	○	○	○
			078ó 083	○	●	○	○	○
			084ó 089	○	○	●	○	○
			090ó 095	○	○	○	●	○
			096ó 101	○	○	○	○	●
			102ó 107	○	○	○	○	○
			108ó 113	●	●	○	○	○
			114ó 119	○	●	●	○	○
			120ó 125	○	○	●	●	○
			126ó 131	○	○	○	●	●
			132ó 137	●	○	○	○	●
			138ó 143	○	○	○	○	○
			144ó 149	○	●	●	●	●
			150ó 155	●	○	●	●	●
			156ó 161	●	●	○	●	●
			162ó 167	●	●	●	○	●
			168ó 173	●	●	●	●	○
			174ó 179	○	○	○	○	○
			180ó 185	○	○	○	○	●
			186ó 191	○	○	○	●	●
			192ó 197	○	○	●	●	●
			198ó 203	○	●	●	●	●
			204ó 209	●	●	●	●	●
			210ó 215	○	○	○	○	○
			216ó 221	●	●	●	○	○
			222ó 227	○	●	●	●	○
			228ó 233	○	○	●	●	●
			234ó 239	●	○	○	●	●
			240ó 245	●	●	○	○	●
			246ó 255	●	●	●	●	●

12

Pré-réglage
marche/arrêt
(● = marche;
○ = arrêt)

Mode	Canal	Fonction	Valeur	Pourcentage/Configuration
"Basic" (18CH suite)	13	Macro LED/ Programme automatique	000 015	Pas de fonction
			016 020	Macro LED 1
			021 025	Macro LED 2
			026 030	Macro LED 3
			031 035	Macro LED 4
			036 040	Macro LED 5
			041 045	Macro LED 6
			046 050	Macro LED 7
			051 055	Macro LED 8
			056 060	Macro LED 9
			061 065	Macro LED 10
			066 070	Macro LED 11
			071 075	Macro LED 12
			076 080	Macro LED 13
			081 085	Macro LED 14
			086 090	Macro LED 15
			091 095	Macro LED 16
			096 100	Macro LED 17
			101 105	Macro LED 18
			106 110	Macro LED 19
			111 115	Macro LED 20
			116 120	Macro LED 21
			121 125	Macro LED 22
			126 130	Macro LED 23
			131 135	Macro LED 24 (cycle 1-23)
			136 140	Programme automatique 1
			141 145	Programme automatique 2
			146 150	Programme automatique 3
			151 155	Programme automatique 4
			156 160	Programme automatique 5
			161 165	Programme automatique 6
			166 170	Programme automatique 7
			171 175	Programme automatique 8
176 180	Programme automatique 9			
181 185	Programme automatique 10			
186 190	Programme automatique 11			
191 195	Programme automatique 12			
196 200	Programme automatique 13			
201 205	Programme automatique 14			
206 210	Programme automatique 15			
211 215	Programme automatique 16			
216 220	Programme automatique 17			
221 225	Programme automatique 18			
226 230	Programme automatique 19			
231 235	Programme automatique 20			
236 240	Programme automatique 21			
241 245	Programme automatique 22			
246 250	Programme automatique 23			
251 255	Programme automatique 24 (cycle 1-23)			
14	Vitesse de macro LED	000 255	Lent à rapide	

Mode	Canal	Fonction	Valeur	Pourcentage/Configuration
“Basic” (18CH suite)	15	Rouge	000ó255	Mode RGBW : 0 à 100% / mode CMY : 100% à 0
	16	Vert	000ó255	Mode RGBW : 0 à 100% / mode CMY : 100% à 0
	17	Bleu	000ó255	Mode RGBW : 0 à 100% / mode CMY : 100% à 0
	18	Blanc	000ó255	Mode RGBW : 0 à 100% / mode CMY : 100% à 0

Valeurs “Dual Control Movement”

Mode	Canal	Fonction	Valeur	Pourcentage/Configuration
“Advanced Movement” (23CH)	1	Pan	000ó255	0–100%
	2	Pan Précis	000ó255	0–100%
	3	Pan en continu	000	Pas de fonction
			001ó127	Rotation antihoraire, lent à rapide
			128	Arrêt
			129ó255	Rotation horaire, lent à rapide
	4	Tilt 1	000ó255	0–100%
	5	Tilt Précis 1	000ó255	0–100%
	6	Tilt 2	000ó255	0–100%
	7	Tilt Précis 2	000ó255	0–100%
	8	Tilt 3	000ó255	0–100%
	9	Tilt Précis 3	000ó255	0–100%
	10	Tilt 4	000ó255	0–100%
	11	Tilt Précis 4	000ó255	0–100%
	12	Tilt 5	000ó255	0–100%
	13	Tilt Précis 5	000ó255	0–100%
	14	Tilt en continu 1	000	Pas de fonction
			001ó127	Rotation antihoraire, lent à rapide
128			Arrêt	
129ó255			Rotation horaire, lent à rapide	
15	Tilt en continu 2	000	Pas de fonction	
		001ó127	Rotation antihoraire, lent à rapide	
		128	Arrêt	
		129ó255	Rotation horaire, lent à rapide	
16	Tilt en continu 3	000	Pas de fonction	
		001ó127	Rotation antihoraire, lent à rapide	
		128	Arrêt	
		129ó255	Rotation horaire, lent à rapide	
17	Tilt en continu 4	000	Pas de fonction	
		001ó127	Rotation antihoraire, lent à rapide	
		128	Arrêt	
		129ó255	Rotation horaire, lent à rapide	
18	Tilt en continu 5	000	Pas de fonction	
		001ó127	Rotation antihoraire, lent à rapide	
		128	Arrêt	
		129ó255	Rotation horaire, lent à rapide	

Mode	Canal	Fonction	Valeur	Pourcentage/Configuration
“Advanced Movement” (23CH suite)	19	Macro de basculement	000ó 047	Pas de fonction
			048ó 055	Macro de basculement 1
			056ó 063	Macro de basculement 2
			064ó 071	Macro de basculement 3
			072ó 079	Macro de basculement 4
			080ó 087	Macro de basculement 5
			088ó 095	Macro de basculement 6
			096ó 103	Macro de basculement 7
			104ó 111	Macro de basculement 8
			112ó 119	Macro de basculement 9
			120ó 127	Macro de basculement 10
			128ó 135	Macro de basculement 11
			136ó 143	Macro de basculement 12
			144ó 151	Macro de basculement 13
			152ó 159	Macro de basculement 14
			160ó 167	Macro de basculement 15
			168ó 175	Macro de basculement 16
			176ó 183	Macro de basculement 17
			184ó 191	Macro de basculement 18
			192ó 199	Macro de basculement 19
			200ó 207	Macro de basculement 20
			208ó 215	Macro de basculement 21
			216ó 223	Macro de basculement 22
			224ó 231	Macro de basculement 23
			232ó 239	Macro de basculement 24
			240ó 247	Macro de basculement 25
			248ó 255	Macro de basculement 26
20	Vitesse de macro de basculement	000ó 255	Rapide à lent	

Mode	Canal	Fonction	Valeur	Pourcentage/Configuration
“Advanced Movement” (23CH suite)	21	Gradateur	000ó255	0–100%
			000ó019	Arrêt
			020ó024	Marche
			025ó064	Rapide à lent
			065ó069	Marche
			070ó084	Marche rapide, arrêt lent, rapide à lent
			085ó089	Marche
			090ó104	Marche lente ,arrêt rapide, rapide à lent
			105ó109	Marche
			110ó124	Aléatoire, rapide à lent
	22	Obturbateur	125ó129	Marche
			130ó144	Marche rapide aléatoire, arrêt lent, rapide à lent
			145ó149	Marche
			150ó164	Marche lente aléatoire ,arrêt rapide, rapide à lent
			165ó169	Marche
			170ó184	Pulsation, rapide à lent
			185ó189	Marche
			190ó204	Pulsation aléatoire, rapide à lent
			205ó209	Marche
			210ó224	Ouverture et fermeture en fondu, rapide à lent
225ó229	Marche			
230ó244	Pulsation aléatoire, rapide à lent			
245ó255	Marche			

Mode	Canal	Fonction	Valeur	Pourcentage/Configuration
“Advanced Movement” (23CH suite)	23	Contrôle	000 009	Pas de fonction
			010 014	Noir général en basculement manuel
			015 019	Annulation du noir général en basculement manuel
			020 024	Macro pour 1 unité
			025 029	Macro 1 pour 2 unités
			030 034	Macro 2 pour 2 unités
			035 039	Macro 4 pour 1 unités
			040 044	Macro 4 pour 2 unités
			045 049	Macro 4 pour 3 unités
			050 054	Macro 4 pour 4 unités
			055 059	Réinitialisation du balayage
			060 064	Réinitialisation du basculement
			065 069	Aucune fonction (réservé pour utilisation future)
			070 074	Réinitialisation totale
			075 079	Aucune fonction (réservé pour utilisation future)
			080 084	Balayage/basculement inverse
			085 089	Balayage inverse
			090 094	Basculement inverse
			095 099	Annulation du balayage inverse
			100 104	Annulation du basculement inverse
			105 109	Annulation du balayage/basculement inverse
			110 114	Aucune fonction (réservé pour utilisation future)
			115 119	Connexion de toutes les têtes à la tête 1
			120 124	Déconnexion de toutes les têtes à la tête 1
			125 129	Aucune fonction (réservé pour utilisation future)
130 134	Aucune fonction (réservé pour utilisation future)			
135 139	Mode de vitesse de gradation rapide			
140 144	Mode de vitesse de gradation doux			
145 255	Pas de fonction			

Mode	Canal	Fonction	Valeur	Pourcentage/Configuration
“Standard Movement” (17CH)	1	Pan	000 025	0–100%
	2	Pan en continu	000	Pas de fonction
			001 0127 128	Rotation antihoraire, lent à rapide Arrêt
			129 0255	Rotation horaire, lent à rapide
	3	Tilt 1	000 025	0–100%
	4	Tilt 2	000 025	0–100%
	5	Tilt 3	000 025	0–100%
	6	Tilt 4	000 025	0–100%
	7	Tilt 5	000 025	0–100%
	8	Tilt en continu 1	000	Pas de fonction
			001 0127 128	Rotation antihoraire, lent à rapide Arrêt
			129 0255	Rotation horaire, lent à rapide
	9	Tilt en continu 2	000	Pas de fonction
001 0127 128			Rotation antihoraire, lent à rapide Arrêt	
129 0255			Rotation horaire, lent à rapide	

Mode	Canal	Fonction	Valeur	Pourcentage/Configuration
“Standard Movement” (17CH suite)	10	Tilt en continu 3	000	Pas de fonction
			001 ó 127	Rotation antihoraire, lent à rapide
			128	Arrêt
			129 ó 255	Rotation horaire, lent à rapide
	11	Tilt en continu 4	000	Pas de fonction
			001 ó 127	Rotation antihoraire, lent à rapide
			128	Arrêt
			129 ó 255	Rotation horaire, lent à rapide
	12	Tilt en continu 5	000	Pas de fonction
			001 ó 127	Rotation antihoraire, lent à rapide
			128	Arrêt
			129 ó 255	Rotation horaire, lent à rapide
13	Macro de basculement	000 ó 047	Pas de fonction	
		048 ó 055	Macro de basculement 1	
		056 ó 063	Macro de basculement 2	
		064 ó 071	Macro de basculement 3	
		072 ó 079	Macro de basculement 4	
		080 ó 087	Macro de basculement 5	
		088 ó 095	Macro de basculement 6	
		096 ó 103	Macro de basculement 7	
		104 ó 111	Macro de basculement 8	
		112 ó 119	Macro de basculement 9	
		120 ó 127	Macro de basculement 10	
		128 ó 135	Macro de basculement 11	
		136 ó 143	Macro de basculement 12	
		144 ó 151	Macro de basculement 13	
		152 ó 159	Macro de basculement 14	
		160 ó 167	Macro de basculement 15	
		168 ó 175	Macro de basculement 16	
		176 ó 183	Macro de basculement 17	
		184 ó 191	Macro de basculement 18	
		192 ó 199	Macro de basculement 19	
200 ó 207	Macro de basculement 20			
208 ó 215	Macro de basculement 21			
216 ó 223	Macro de basculement 22			
224 ó 231	Macro de basculement 23			
232 ó 239	Macro de basculement 24			
240 ó 247	Macro de basculement 25			
248 ó 255	Macro de basculement 26			
14	Vitesse de macro de basculement	000 ó 255	Rapide à lent	
15	Gradateur	000 ó 255	0–100%	

Mode	Canal	Fonction	Valeur	Pourcentage/Configuration
"Standard Movement" (17CH suite)	16	Obtuteur	000ó 019	Arrêt
			020ó 024	Marche
			025ó 064	Rapide à lent
			065ó 069	Marche
			070ó 084	Marche rapide, arrêt lent, rapide à lent
			085ó 089	Marche
			090ó 104	Marche lente ,arrêt rapide, rapide à lent
			105ó 109	Marche
			110ó 124	Aléatoire, rapide à lent
			125ó 129	Marche
			130ó 144	Marche rapide aléatoire, arrêt lent, rapide à lent
			145ó 149	Marche
			150ó 164	Marche lente aléatoire ,arrêt rapide, rapide à lent
			165ó 169	Marche
			170ó 184	Pulsation, rapide à lent
			185ó 189	Marche
			190ó 204	Pulsation aléatoire, rapide à lent
			205ó 209	Marche
			210ó 224	Ouverture et fermeture en fondu, rapide à lent
			225ó 229	Marche
			230ó 244	Pulsation aléatoire, rapide à lent
			245ó 255	Marche

Mode	Canal	Fonction	Valeur	Pourcentage/Configuration
“Standard Movement” (17CH suite)	17	Contrôle	000ó 009	Pas de fonction
			010ó 014	Noir général en basculement manuel
			015ó 019	Annulation du noir général en basculement manuel
			020ó 024	Macro pour 1 unité
			025ó 029	Macro 1 pour 2 unités
			030ó 034	Macro 2 pour 2 unités
			035ó 039	Macro 4 pour 1 unités
			040ó 044	Macro 4 pour 2 unités
			045ó 049	Macro 4 pour 3 unités
			050ó 054	Macro 4 pour 4 unités
			055ó 059	Réinitialisation du balayage
			060ó 064	Réinitialisation du basculement
			065ó 069	Aucune fonction (réservé pour utilisation future)
			070ó 074	Réinitialisation totale
			075ó 079	Aucune fonction (réservé pour utilisation future)
			080ó 084	Balayage/basculement inverse
			085ó 089	Balayage inverse
			090ó 094	Basculement inverse
			095ó 099	Annulation du balayage inverse
			100ó 104	Annulation du basculement inverse
			105ó 109	Annulation du balayage/basculement inverse
			110ó 114	Aucune fonction (réservé pour utilisation future)
			115ó 119	Connexion de toutes les têtes à la tête 1
			120ó 124	Déconnexion de toutes les têtes à la tête 1
			125ó 129	Aucune fonction (réservé pour utilisation future)
130ó 134	Aucune fonction (réservé pour utilisation future)			
135ó 139	Mode de vitesse de gradation rapide			
140ó 144	Mode de vitesse de gradation doux			
145ó 255	Pas de fonction			

Mode	Canal	Fonction	Valeur	Pourcentage/Configuration
“Basic Movement” (10CH)	1	Pan	000ó 255	0–100%
	2	Pan en continu	000	Pas de fonction
			001ó 127 128	Rotation antihoraire, lent à rapide Arrêt
			129ó 255	Rotation horaire, lent à rapide
	3	Tilt tous	000ó 255	0–100%
	4	Tilt tous en continu	000	Pas de fonction
			001ó 127 128	Rotation antihoraire, lent à rapide Arrêt
			129ó 255	Rotation horaire, lent à rapide
	5	Décalage du basculement	000ó 255	Décale les têtes les unes des autres, 0 à 360°

Mode	Canal	Fonction	Valeur	Pourcentage/Configuration
“Basic Movement” (10CH suite)	6	Macro de basculement	000ó 047	Pas de fonction
			048ó 055	Macro de basculement 1
			056ó 063	Macro de basculement 2
			064ó 071	Macro de basculement 3
			072ó 079	Macro de basculement 4
			080ó 087	Macro de basculement 5
			088ó 095	Macro de basculement 6
			096ó 103	Macro de basculement 7
			104ó 111	Macro de basculement 8
			112ó 119	Macro de basculement 9
			120ó 127	Macro de basculement 10
			128ó 135	Macro de basculement 11
			136ó 143	Macro de basculement 12
			144ó 151	Macro de basculement 13
			152ó 159	Macro de basculement 14
			160ó 167	Macro de basculement 15
			168ó 175	Macro de basculement 16
			176ó 183	Macro de basculement 17
			184ó 191	Macro de basculement 18
			192ó 199	Macro de basculement 19
			200ó 207	Macro de basculement 20
			208ó 215	Macro de basculement 21
			216ó 223	Macro de basculement 22
			224ó 231	Macro de basculement 23
			232ó 239	Macro de basculement 24
			240ó 247	Macro de basculement 25
			248ó 255	Macro de basculement 26
7	Vitesse de macro de basculement	000ó 255	Rapide à lent	

Mode	Canal	Fonction	Valeur	Pourcentage/Configuration
“Basic Movement” (10CH suite)	8	Gradateur	000ó255	0–100%
			000ó019	Arrêt
			020ó024	Marche
			025ó064	Rapide à lent
			065ó069	Marche
			070ó084	Marche rapide, arrêt lent, rapide à lent
			085ó089	Marche
			090ó104	Marche lente ,arrêt rapide, rapide à lent
			105ó109	Marche
			110ó124	Aléatoire, rapide à lent
			125ó129	Marche
			130ó144	Marche rapide aléatoire, arrêt lent, rapide à lent
			9	Obturbateur
	150ó164	Marche lente aléatoire ,arrêt rapide, rapide à lent		
	165ó169	Marche		
	170ó184	Pulsation, rapide à lent		
	185ó189	Marche		
	190ó204	Pulsation aléatoire, rapide à lent		
	205ó209	Marche		
	210ó224	Ouverture et fermeture en fondu, rapide à lent		
	225ó229	Marche		
	230ó244	Pulsation aléatoire, rapide à lent		
	245ó255	Marche		

Mode	Canal	Fonction	Valeur	Pourcentage/Configuration
“Basic Movement” (10CH suite)	10	Contrôle	000ó 009	Pas de fonction
			010ó 014	Noir général en basculement manuel
			015ó 019	Annulation du noir général en basculement manuel
			020ó 024	Macro pour 1 unité
			025ó 029	Macro 1 pour 2 unités
			030ó 034	Macro 2 pour 2 unités
			035ó 039	Macro 4 pour 1 unités
			040ó 044	Macro 4 pour 2 unités
			045ó 049	Macro 4 pour 3 unités
			050ó 054	Macro 4 pour 4 unités
			055ó 059	Réinitialisation du balayage
			060ó 064	Réinitialisation du basculement
			065ó 069	Aucune fonction (réservé pour utilisation future)
			070ó 074	Réinitialisation totale
			075ó 079	Aucune fonction (réservé pour utilisation future)
			080ó 084	Balayage/basculement inverse
			085ó 089	Balayage inverse
			090ó 094	Basculement inverse
			095ó 099	Annulation du balayage inverse
			100ó 104	Annulation du basculement inverse
			105ó 109	Annulation du balayage/basculement inverse
			110ó 114	Aucune fonction (réservé pour utilisation future)
			115ó 119	Connexion de toutes les têtes à la tête 1
			120ó 124	Déconnexion de toutes les têtes à la tête 1
			125ó 129	Aucune fonction (réservé pour utilisation future)
			130ó 134	Aucune fonction (réservé pour utilisation future)
			135ó 139	Mode de vitesse de gradation rapide
140ó 144	Mode de vitesse de gradation doux			
145ó 255	Pas de fonction			

Valeurs “Dual Control Pixel”

Mode	Canal	Fonction	Valeur	Pourcentage/Configuration
RGBW (20CH)	1	Tête 1 Rouge	000ó255	Mode RGBW : 0 à 100% / mode CMY : 100% à 0
	2	Tête 1 Vert	000ó255	Mode RGBW : 0 à 100% / mode CMY : 100% à 0
	3	Tête 1 Bleu	000ó255	Mode RGBW : 0 à 100% / mode CMY : 100% à 0
	4	Tête 1 Blanc	000ó255	Mode RGBW : 0 à 100% / mode CMY : 100% à 0
	5	Tête 2 Rouge	000ó255	Mode RGBW : 0 à 100% / mode CMY : 100% à 0
	6	Tête 2 Vert	000ó255	Mode RGBW : 0 à 100% / mode CMY : 100% à 0
	7	Tête 2 Bleu	000ó255	Mode RGBW : 0 à 100% / mode CMY : 100% à 0
	8	Tête 2 Blanc	000ó255	Mode RGBW : 0 à 100% / mode CMY : 100% à 0
	9	Tête 3 Rouge	000ó255	Mode RGBW : 0 à 100% / mode CMY : 100% à 0
	10	Tête 3 Vert	000ó255	Mode RGBW : 0 à 100% / mode CMY : 100% à 0
	11	Tête 3 Bleu	000ó255	Mode RGBW : 0 à 100% / mode CMY : 100% à 0
	12	Tête 3 Blanc	000ó255	Mode RGBW : 0 à 100% / mode CMY : 100% à 0
	13	Tête 4 Rouge	000ó255	Mode RGBW : 0 à 100% / mode CMY : 100% à 0
	14	Tête 4 Vert	000ó255	Mode RGBW : 0 à 100% / mode CMY : 100% à 0
	15	Tête 4 Bleu	000ó255	Mode RGBW : 0 à 100% / mode CMY : 100% à 0
	16	Tête 4 Blanc	000ó255	Mode RGBW : 0 à 100% / mode CMY : 100% à 0
	17	Tête 5 Rouge	000ó255	Mode RGBW : 0 à 100% / mode CMY : 100% à 0
	18	Tête 5 Vert	000ó255	Mode RGBW : 0 à 100% / mode CMY : 100% à 0
	19	Tête 5 Bleu	000ó255	Mode RGBW : 0 à 100% / mode CMY : 100% à 0
	20	Tête 5 Blanc	000ó255	Mode RGBW : 0 à 100% / mode CMY : 100% à 0

Mode RGB	Canal	Fonction	Valeur	Pourcentage/Configuration
RGB (15CH)	1	Tête 1 Rouge	000ó255	Mode RGBW : 0 à 100% / mode CMY : 100% à 0
	2	Tête 1 Vert	000ó255	Mode RGBW : 0 à 100% / mode CMY : 100% à 0
	3	Tête 1 Bleu	000ó255	Mode RGBW : 0 à 100% / mode CMY : 100% à 0
	4	Tête 2 Rouge	000ó255	Mode RGBW : 0 à 100% / mode CMY : 100% à 0
	5	Tête 2 Vert	000ó255	Mode RGBW : 0 à 100% / mode CMY : 100% à 0
	6	Tête 2 Bleu	000ó255	Mode RGBW : 0 à 100% / mode CMY : 100% à 0
	7	Tête 3 Rouge	000ó255	Mode RGBW : 0 à 100% / mode CMY : 100% à 0
	8	Tête 3 Vert	000ó255	Mode RGBW : 0 à 100% / mode CMY : 100% à 0
	9	Tête 3 Bleu	000ó255	Mode RGBW : 0 à 100% / mode CMY : 100% à 0
	10	Tête 4 Rouge	000ó255	Mode RGBW : 0 à 100% / mode CMY : 100% à 0
	11	Tête 4 Vert	000ó255	Mode RGBW : 0 à 100% / mode CMY : 100% à 0
	12	Tête 4 Bleu	000ó255	Mode RGBW : 0 à 100% / mode CMY : 100% à 0
	13	Tête 5 Rouge	000ó255	Mode RGBW : 0 à 100% / mode CMY : 100% à 0
	14	Tête 5 Vert	000ó255	Mode RGBW : 0 à 100% / mode CMY : 100% à 0
	15	Tête 5 Bleu	000ó255	Mode RGBW : 0 à 100% / mode CMY : 100% à 0

Over deze handleiding

De Rogue R1 FX-B Beknopte Handleiding (BH) bevat basisinformatie over het product, zoals aansluiting, montage, menu-opties en DMX-waarden. Download de gebruikershandleiding op www.chauvetprofessional.com voor meer informatie.

Disclaimer

De informatie en specificaties in deze BH kunnen zonder voorafgaande kennisgeving worden gewijzigd.

Veiligheids-instructies

- Open het product NIET. Het bevat geen te onderhouden onderdelen.
- KIIK NIET in de lichtbron wanneer het apparaat is ingeschakeld.
- Om onnodige slijtage te elimineren en zijn levensduur te verlengen, gedurende perioden wanneer het product niet wordt gebruikt, moet u het product van de stroom afsluiten door een aardlekschakelaar om te zetten of door het te ontkoppelen.
- LET OP: Bij het verplaatsen van het product uit extreme omgevingen, (bijv. koude vrachtwagen naar warme, vochtige balzaal) kan er condensvorming optreden op de elektronica van het product. Om storingen te vermijden moet het product volledig kunnen acclimatiseren aan de omgeving voordat het op stroom wordt aangesloten.
- LET OP: De behuizing van dit product kan heet zijn wanneer het in bedrijf is.
- Monteer dit product op een plek met voldoende ventilatie, ten minste 50 cm van de aangrenzende oppervlakken.
- Plaats geen ontvlambaar materiaal binnen 50 cm van dit product als het in gebruik is of is aangesloten op het stopcontact.
- GEBRUIK een veiligheidskabel bij het boven het hoofd plaatsen van dit product.
- Gebruik dit product NIET buitenshuis of op een locatie waar stof, grote warmte, water of vochtigheid het kunnen beïnvloeden. (IP20)
- Gebruik dit product NIET als de behuizing, lenzen of kabels beschadigd lijken.
- Sluit dit product NIET aan op een dimmer of een regelweerstand.
- Sluit dit product UITSLUITEND op een geaard en beveiligd stroomcircuit.
- Gebruik UITSLUITEND de montagebeugels of de hendels om dit product te dragen. Draag het product niet aan de bewegende kop.
- Stop in het geval van ernstige operationele problemen onmiddellijk met het gebruik.
- De maximale omgevingstemperatuur bedraagt 45 °C. Gebruik dit product niet bij hogere temperaturen.

Contact

Van buiten de VS, Verenigd Koninkrijk, Ierland, Mexico of Benelux kunt u contact opnemen met de distributeur of om ondersteuning vragen dan wel het product retourneren. Maak vanuit de VS, het VK, Ierland, Mexico of Benelux gebruik van de informatie onder [Contact Us](#) aan het einde van deze BH.

Wat is inbegrepen

- Rogue R1 FX-B
- Neutrik® powerCON® stroomsnoer
- 2 Omegabeugels met bevestigingsapparatuur
- Garantietaal
- Beknopte handleiding

AC-stroom

Dit product heeft een auto-bereik voeding die kan werken met een ingangsspanning van 100 tot 240 VAC, 50/60 Hz.



Sluit om onnodige slijtage te verhinderen en de levensduur te verlengen tijdens periodes van niet-gebruik het product via stroomonderbreker of de stekker volledig van stroom af.

Power Linking

U kunt tot 8 Rogue R1 FX-B -producten koppelen bij 120 V, 14 producten bij 208 V of 15 producten bij 230 V. Dit aantal niet overschrijden. Power Linking-snoeren kunnen apart aangeschaft worden.

AC-stekker

Aansluiting	Snoer (VS)	Snoer (Europa)	Schroefkleur
AC Live	Zwart	Bruin	Geel/messing
AC Neutraal	Wit	Blauw	Zilver
AC Aarde	Groen/geel	Groen/geel	Groen

- Vervangen van de zekering**
1. Ontkoppel dit product van de stroom.
 2. Gebruik een platkopschroevendraaier en schroef de kap van de zekeringshouder los van de behuizing.
 3. Verwijder de doorgebrande zekering en vervang het met een werkende zekering van hetzelfde type en met dezelfde waarde.
 4. Schroef de kap van de zekeringhouder terug en steek de stekker er weer in.

Signaalverbindingen U kunt de Rogue R1 FX-B aansluiten op een controller of controllersoftware met behulp van een DMX-aansluiting, een ethernetverbinding of beide. Bij het gebruik van andere Art-Net™, sACN, of Kling-Net-compatible producten met de Rogue R1 FX-B, kunt u deze individueel aansturen op een enkel netwerk. Zie de gebruikershandleiding voor meer informatie over het verbinden en configureren van het product voor deze signalen.

Aansturings Persoonlijkheden De Rogue R1 FX-B gebruikt DMX, Art-Net™, sACN en Kling-Net voor zijn aansturingspersoonlijkheden:

Single Control	Dual Control Movement	Dual Control Pixel
Tour (52-kanaal)		
Tour (47-kanaal)		
Advanced (47-kanaal)	Advanced (23-kanaal)	RGBW (20-kanaal)
Standard (25-kanaal)	Standard (17-kanaal)	RGB (15-kanaal)
Basic (18-kanaal)	Basic (10-kanaal)	Gebruikt DMX, Art-Net, sACN, of Kling-Net
Gebruikt DMX, Art-Net™, of sACN		

DMX-aansluiting De Rogue R1 FX-B kan met een DMX-controller werken met een 3-pins of 5-pins DMX-gegevensverbinding. Op www.chauvetprofessional.com is een DMX-basishandleiding verkrijgbaar.

Art-Net™-aansluiting Art-Net™ is een ethernet-protocol dat gebruikmaakt van TCP/IP dat over een groot netwerk grote hoeveelheden DMX512-gegevens verzendt met behulp van een etherCON RJ45-verbinding. Een Art-Net™-protocoldocument is te verkrijgen op www.chauvetprofessional.com. Chauvet Professional raadt het gebruik van unicast-modus voor het beste resultaat. Art-Net™ ontworpen en auteursrecht door Artistic Licence Holdings Ltd.

sACN-aansluiting Streaming-ACN staat ook wel bekend als ANSI E1.31 en is een ethernetprotocol dat de laag- en opmaakstructuur gebruikt van Architecture for Control Networks om DMX512-gegevens te transporteren over IP of een ander ACN compatibel netwerk. ACN wordt onderhouden door de Professional Lighting and Sound Association (PLASA).

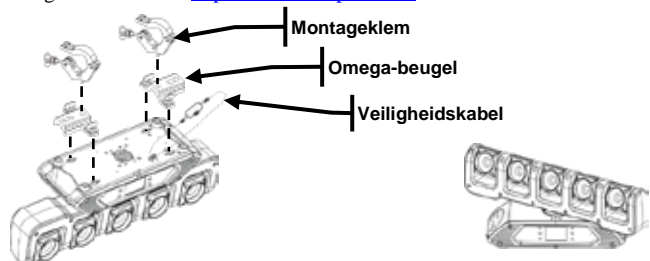
Kling-Net-aansluiting Kling-Net is een netwerkprotocol dat de automatische configuratie van displayapparaten met een etherCON RJ45 Ethernet-verbinding mogelijk maakt. Raadpleeg de ArKaos softwarehandleiding voor uitgebreide instructies over het programmeren van dit product.



Voor een goede werking heeft de ArKaos Kling-Net een gigabit (1000 Mbps) Ethernet-kaart en een netwerkrouter nodig.

Montage Lees alvorens dit product te monteren alle [Veiligheidsinstructies](#). Gebruik ten minste twee montagepunten per product. Controleer of de montageklem het gewicht van het product kan dragen. Ga voor onze Chauvet-serie montageklemmen naar <http://trusst.com/products/>.

Montagediagram van het product



Montage boven het hoofd

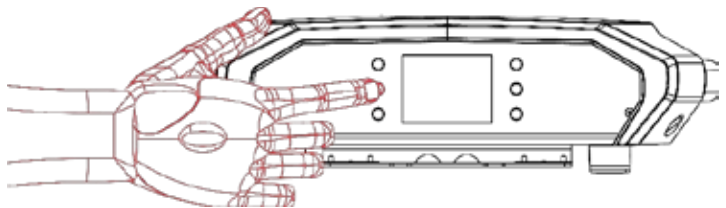
Plaatsing op de vloer

Aanraakscherm-bedieningspaneel De Rogue R1 FX-B heeft een aanraakscherm en 6 bedieningsknoppen. Via de opties **Setup** in het menu kan het aanraakscherm worden vergrendeld en gekalibreerd.

Beschrijving bedieningspaneel

Beschrijving	Toets	Functie
	< ↑ >	Navigeert omhoog via het menu of verhoogt de numerieke waarde wanneer in een functie
	< ≡ >	Sluit het huidige menu of functie af
	< ↓ >	Navigeert omlaag via het menu of verlaagt de numerieke waarde wanneer in een functie
	< ← >	Navigeert naar links door de menulijst
	< ↶ >	Activeert het huidige getoonde menu of plaatst de huidige geselecteerde waarde in de geselecteerde functie
	< ↷ >	Navigeert naar rechts door de menulijst

Display op batterijstroom Ingedrukt houden totdat het menuscherm verschijnt (ongeveer 15 sec).



Menumap

Programmeerniveaus				Beschrijving
Control Settings				Control Settings belangrijkste niveau
Control Settings	Single Control	DMX	Personality	Basic Standard Advanced Tour Tour 2
			Start Address	001-512
			Stelt de DMX-persoonlijkheid in, vanaf Basic (18CH), Standaard (25CH), Advanced (47CH), Tour (47CH), of Tour 2 (52CH)	
			Stelt het DMX-startadres in	

Menupap (vervolg)

Programmeerniveaus				Beschrijving		
Control Settings				Control Settings belangrijkste niveau		
Single Control	ArtNet	Personality	Basic	Stelt de Art-Net™-persoonlijkheid in, vanaf Basic (18CH), Standaard (25CH), Advanced (47CH Tour (47CH), of Tour 2 (52CH)		
			Standard			
			Advanced			
			Tour			
			Tour 2			
	Start Address	001–512	Stelt het Art-Net™-startadres in			
	Universe	0–254	Stelt de Art-Net™ universe in			
	sACN	Personality	Basic	Stelt de sACN-persoonlijkheid in, vanaf Basic (18CH), Standaard (25CH), Advanced (47CH), Tour (47CH), of Tour 2 (52CH)		
			Standard			
			Advanced			
Tour						
Tour 2						
Start Address	001–512	Stelt het sACN-startadres in				
Universe	0–255	Stelt de sACN universe in				
Control Settings	Movement	DMX	Personality	Basic	Stelt de DMX-persoonlijkheid in, vanaf Basic (18CH), Standaard (17CH), of Advanced (23CH)	
			Standard			
			Advanced			
		Start Address	001–512	Stelt het DMX-startadres in		
		ArtNet	Personality	Basic	Stelt de Art-Net™-persoonlijkheid in, vanaf Basic (10CH), Standaard (17CH), of Advanced (23CH)	
				Advanced		
			Start Address	001–512	Stelt het Art-Net™-startadres in	
			Universe	0–254	Stelt de Art-Net™ universe in	
		sACN	Personality	Basic	Stelt de sACN-persoonlijkheid in, vanaf Basic (10CH), Standaard (17CH), of Advanced (23CH)	
				Advanced		
			Start Address	001–512	Stelt het sACN-startadres in	
			Universe	0–255	Stelt de sACN universe in	
	Dual Control	Pixels	DMX	Personality	RGB	Stelt de DMX-persoonlijkheid in, vanaf RGB (15CH) of RGBW (20CH)
				RGBW		
			Start Address	001–512	Stelt het DMX-startadres in	
			ArtNet	Personality	RGB	Stelt de Art-Net™-persoonlijkheid in, vanaf RGB (15CH) of RGBW (20CH)
		RGBW				
		Start Address		001–512	Stelt het Art-Net™-startadres in	
		Universe	0–254	Stelt de Art-Net™ universe in		
		sACN	Personality	RGB	Stelt de sACN-persoonlijkheid in, vanaf RGB (15CH) of RGBW (20CH)	
				RGBW		
			Start Address	001–512	Stelt het sACN-startadres in	
		Universe	0–255	Stelt de sACN universe in		
		KlingNet	Personality	RGB	Stelt de Kling-Net-persoonlijkheid in, vanaf RGB (15CH) of RGBW (20CH)	
RGBW						

Notitie: In Dual Control modus kunnen het verplaatsingsprotocol en het pixelprotocol niet hetzelfde zijn.

Menumap (vervolg)

Programmeerniveaus			Beschrijving	
Test Mode			Test Mode belangrijkste niveau	
Test Mode	Auto test		Test alle functies automatisch	
	Manual test	Pan	000–255	Test en regel alle instellingen handmatig via het bedieningspaneel
		Pan Speed		
		Pan 360		
		Tilt 1		
		Tilt 2		
		Tilt 3		
		Tilt 4		
		Tilt 5		
		Tilt Speed		
		Tilt 1 360		
		Tilt 2 360		
		Tilt 3 360		
		Tilt 4 360		
		Tilt 5 360		
		Dimmer		
		Shutter		
		Red		
		Green		
		Blue		
White				
Color				
LED Macro				
LED Macro Speed				
Setup			Setup belangrijkste niveau	
Network Settings	IP Mode	Manual	Stel het IP-adres handmatig in	
		DHCP	Netwerk stelt het IP-adres in	
		Static	Product stelt het IP-adres in	
	IP	xxx.xxx.xxx.xxx	Stelt het IP-adres in handmatige modus in	
SubMask	xxx.xxx.xxx.xxx	Stelt het Subnet Mask in handmatige modus in		
Pan Reverse	NO	Normale zwenkbediening		
	YES	Omgekeerde zwenkbediening		
Tilt Reverse	NO	Normale kantelbediening		
	YES	Omgekeerde kantelbediening		
Screen Reverse	NO	Display in normale oriëntatie		
	YES	Display in ondersteboven oriëntatie		
	AUTO	Automatische oriëntatie van het display		
Pan Angle	540	540° zwenkhoekbereik		
	360	360° zwenkhoekbereik		
	180	180° zwenkhoekbereik		
Tilt Angle	540	540° kantelhoekbereik		
	270	270° kantelhoekbereik		
	180	180° kantelhoekbereik		
BL. O. P/T Move	NO	Niet verduisteren tijdens kantelen/zwenken		
	YES	Verduisteren tijdens kantelen/zwenken		
Calibration	NO	Huidige instellingen behouden		
	YES	Aanraakscherm kalibreren		
Touchscreen Lock	NO	Beeldscherm reageert op aanrakingen		
	YES	Beeldscherm reageert niet op aanrakingen		
Lock Screen	NO	Lock knoppen en touch screen		
	YES	Toegangscode: 0920		

Menu map (vervolg)

Programmeerniveaus		Beschrijving	
Setup (vervolg)		Setup belangrijkste niveau (vervolg)	
Backlight Timer	30S	Beeldscherm schakelt uit na 30 seconden	
	1M	Beeldscherm schakelt uit na 1 minuut	
	5M	Beeldscherm schakelt uit na 5 minuten	
	ON	Beeldscherm blijft aan	
Loss of Data	Hold	Houdt laatst ontvangen signaal vast	
	Close	Verduistert de armatuur	
C Mixing Mode	RGBW	Additief kleuren mengen (0–100%)	
	CMY	Subtractief kleuren mengen (100%–0)	
Dimmer Curve	Linear	Stelt de dimcurve in	
	Square		
	I Squa		
	SCurve		
Dimmer Speed	Smooth	Wijzigt de dimsnelheid	
	Fast		
PWM Option	600Hz	Selecteert de PWM-uitgangsfrequentie	
	1200Hz		
	2000Hz		
	4000Hz		
	25000Hz		
Color Balance	Red	100–255	Stelt de maximum waarde van de rode LED in
	Green		Stelt de maximum waarde van de groene LED in
	Blue		Stelt de maximum waarde van de blauwe LED in
	White		Stelt de maximum waarde van de witte LED in
Preset Select	PRESET A	Opgenomen vooringestelde menuopties	
	PRESET B		
	PRESET C		
Preset Sync	NO	Zorgt ervoor dat opgenomen vooringestelde menuopties worden overgezet op andere Rogue R1 FXB in de DMX-keten	
	YES		
Reset Function	Pan	NO	Reset individuele functies of alle functies vanaf het opstarten
		YES	
	Tilt	NO	
		YES	
	All	NO	
		YES	
Factory Settings	NO	Reset naar standaard fabrieksinstellingen	
	YES		

Setup (vervolg)

Menumap (vervolg)

Programmeerniveaus			Beschrijving	
Sys Info			Sys Info belangrijkste niveau	
Sys Info	Fixture Information	Ver	VX	Toont de firmwareversie
		Running Mode	Xxx	Toont de huidige bedrijfsmodus
		DMX Address	xxx	Toont het huidige startadres
		Temperature	xx	Toont de huidige temperatuur van het product in °C
		Fixture Hours	xxxxx	Toont het aantal uren dat het product is ingeschakeld
		IP	xxx.xxx.xxx.xxx	Toont het huidige IP-adres
		SubMask	xxx.xxx.xxx.xxx	Toont het huidige Subnet Mask
	MAC	xx.xx.xx.xx.xx.xx	Toont het huidige MAC-adres	
Error Information	No Error!*		Toont fouten of No Error!	
Sys Info (vervolg)	Channel Information	Frequency	xxx	Toont alle huidige waarden van ingangssignalen, 000-255
		Pan		
		Pan Fine		
		Pan 360		
		Tilt 1		
		Tilt 1 Fine		
		Tilt 2		
		Tilt 2 Fine		
		Tilt 3		
		Tilt 3 Fine		
		Tilt 4		
		Tilt 4 Fine		
		Tilt 5		
		Tilt 5 Fine		
		Tilt 1 360		
		Tilt 2 360		
		Tilt 3 360		
		Tilt 4 360		
		Tilt 5 360		
		Y Macro		
		Y Macro Speed		
		Function		
		Dimmer		
Shutter				
Color				
Lamp Number				
LED Macro				
LED Ma. Speed				

Menu map (vervolg)

Programmeerniveaus		Beschrijving
Sys Info		Sys Info belangrijkste niveau
Sys Info (vervolg)	Channel Information	Red 1
		Green 1
		Blue 1
		White 1
		Red 2
		Green 2
		Blue 2
		White 2
		Red 3
		Green 3
		Blue 3
		White 3
		Red 4
		Green 4
		Blue 4
		White 4
		Red 5
		Green 5
		Blue 5
		White 5
	xxx	Toont alle huidige waarden van ingangssignalen, 000-255

“Single Control”-waarden

Tour 2	Kanaal	Functie	Waarde	Percentage/instelling
Modus (52CH)	1	Zwenken	000ó 255	0–100%
	2	Fijn zwenken	000ó 255	0–100%
	3	Continue zwenken	000 001ó 127 128 129ó 255	Geen functie Rotatie tegen de klok in, langzaam tot snel Stop Rotatie met de klok mee, langzaam tot snel
	4	Kantelmacro	000ó 047 048ó 055 056ó 063 064ó 071 072ó 079 080ó 087 088ó 095 096ó 103 104ó 111 112ó 119 120ó 127 128ó 135 136ó 143 144ó 151 152ó 159 160ó 167 168ó 175 176ó 183 184ó 191 192ó 199 200ó 207 208ó 215 216ó 223 224ó 231 232ó 239 240ó 247 248ó 255	Geen functie Kantelmacro 1 Kantelmacro 2 Kantelmacro 3 Kantelmacro 4 Kantelmacro 5 Kantelmacro 6 Kantelmacro 7 Kantelmacro 8 Kantelmacro 9 Kantelmacro 10 Kantelmacro 11 Kantelmacro 12 Kantelmacro 13 Kantelmacro 14 Kantelmacro 15 Kantelmacro 16 Kantelmacro 17 Kantelmacro 18 Kantelmacro 19 Kantelmacro 20 Kantelmacro 21 Kantelmacro 22 Kantelmacro 23 Kantelmacro 24 Kantelmacro 25 Kantelmacro 26
	5	Kantelmacro snelheid	000ó 255	Snel tot langzaam

Tour 2 (52CH vervolg)	Kanaal	Functie	Waarde	Percentage/instelling
6	Regeling	000ó 009	Geen functie	
		010ó 014	Handmatige kantelverduistering	
		015ó 019	Annuleer handmatige kantelverduistering	
		020ó 024	1 armatuurmacro	
		025ó 029	2 armatuurmacro 2	
		030ó 034	4 armatuurmacro 1	
		035ó 039	4 armatuurmacro 2	
		040ó 044	4 armatuurmacro 2	
		045ó 049	4 armatuurmacro 3	
		050ó 054	4 armatuurmacro 4	
		055ó 059	Zwenkreset	
		060ó 064	Kantelreset	
		065ó 069	Geen functie (gereserveerd voor toekomstig gebruik)	
		070ó 074	Alles herstellen	
		075ó 079	Geen functie (gereserveerd voor toekomstig gebruik)	
		080ó 084	Zwenken/kantelen omkeren	
		085ó 089	Zwenken omkeren	
		090ó 094	Kantelen omkeren	
		095ó 099	Omkeren kantelen annuleren	
		100ó 104	Omkeren zwenken annuleren	
		105ó 109	Omkeren kantelen/zwenken annuleren	
110ó 114	Geen functie (gereserveerd voor toekomstig gebruik)			
115ó 119	Koppel alle koppen aan kop 1			
120ó 124	Ontkoppel alle koppen van kop 1			
125ó 129	Geen functie (gereserveerd voor toekomstig gebruik)			
130ó 134	Geen functie (gereserveerd voor toekomstig gebruik)			
135ó 139	Dimmersnelheid modus snel			
140ó 144	Dimmersnelheid modus soepel			
145ó 255	Geen functie			
7	Dimmer	000ó 255	0–100%	
8	Sluiter	000ó 019	Uit	
		020ó 024	Aan	
		025ó 064	Langzaam tot snel	
		065ó 069	Aan	
		070ó 084	Snel aan, langzaam uit, snel tot langzaam	
		085ó 089	Aan	
		090ó 104	Langzaam aan, snel uit, snel tot langzaam	
		105ó 109	Aan	
		110ó 124	Willekeurig, snel tot langzaam	
		125ó 129	Aan	
		130ó 144	Willekeurig snel aan, langzaam uit, snel tot langzaam	
		145ó 149	Aan	
		150ó 164	Willekeurig langzaam aan, snel uit, snel tot langzaam	
		165ó 169	Aan	
		170ó 184	Puls, snel tot langzaam	
		185ó 189	Aan	
		190ó 204	Willekeurige puls, snel tot langzaam	
		205ó 209	Aan	
		210ó 224	Infaden, uifaden, snel tot langzaam	
		225ó 229	Aan	
		230ó 244	Willekeurige puls, snel tot langzaam	
245ó 255	Aan			

Tour 2 (52CH vervolg)	Kanaal	Functie	Waarde	Percentage/instelling
			000ó 013	Geen functie
			014ó 020	Kleur 1
			021ó 028	Kleur 2
			029ó 036	Kleur 3
			037ó 044	Kleur 4
			045ó 052	Kleur 5
			053ó 060	Kleur 6
			061ó 068	Kleur 7
			069ó 076	Kleur 8
			077ó 084	Kleur 9
			085ó 092	Kleur 10
			093ó 100	Kleur 11
			101ó 108	Kleur 12
			109ó 116	Kleur 13
			117ó 124	Kleur 14
			125ó 133	Kleur 15
			134ó 185	Geen functie
			186ó 207	Regenboogeffect, snel tot langzaam
			208ó 213	Stop
			214ó 235	Omgekeerd regenboogeffect, snel tot langzaam
			236ó 240	Geen functie
			241ó 255	Kleursprong, snel tot langzaam
	9	Kleurenmacro		

Tour 2 (52CH vervolg)	Kanaal	Functie	Waarde	Percentage/instelling				
				Kop 1	Kop 2	Kop 3	Kop 4	Kop 5
			000ó 005	●	●	●	●	●
			006ó 011	○	●	●	●	●
			012ó 017	○	○	●	●	●
			018ó 023	○	○	○	●	●
			024ó 029	○	○	○	○	●
			030ó 035	○	○	○	○	○
			036ó 041	●	○	○	○	○
			042ó 047	●	●	○	○	○
			048ó 053	●	●	●	○	○
			054ó 059	●	●	●	●	○
			060ó 065	●	●	●	●	●
			066ó 071	○	○	○	○	○
			072ó 077	●	○	○	○	○
			078ó 083	○	●	○	○	○
			084ó 089	○	○	●	○	○
			090ó 095	○	○	○	●	○
			096ó 101	○	○	○	○	●
			102ó 107	○	○	○	○	○
			108ó 113	●	●	○	○	○
			114ó 119	○	●	●	○	○
			120ó 125	○	○	●	●	○
			126ó 131	○	○	○	●	●
			132ó 137	●	○	○	○	●
			138ó 143	○	○	○	○	○
			144ó 149	○	●	●	●	●
			150ó 155	●	○	●	●	●
			156ó 161	●	●	○	●	●
			162ó 167	●	●	●	○	●
			168ó 173	●	●	●	●	○
			174ó 179	○	○	○	○	○
			180ó 185	○	○	○	○	●
			186ó 191	○	○	○	●	●
			192ó 197	○	○	●	●	●
			198ó 203	○	●	●	●	●
			204ó 209	●	●	●	●	●
			210ó 215	○	○	○	○	○
			216ó 221	●	●	●	○	○
			222ó 227	○	●	●	●	○
			228ó 233	○	○	●	●	●
			234ó 239	●	○	○	●	●
			240ó 245	●	●	○	○	●
			246ó 255	●	●	●	●	●

10

Voorinstelling
aan/uit
(● = aan; ○ = uit)

Tour 2 (52CH vervolg)	Kanaal	Functie	Waarde	Percentage/instelling
			000ó 015	Geen functie
			016ó 020	LED-macro 1
			021ó 025	LED-macro 2
			026ó 030	LED-macro 3
			031ó 035	LED-macro 4
			036ó 040	LED-macro 5
			041ó 045	LED-macro 6
			046ó 050	LED-macro 7
			051ó 055	LED-macro 8
			056ó 060	LED-macro 9
			061ó 065	LED-macro 10
			066ó 070	LED-macro 11
			071ó 075	LED-macro 12
			076ó 080	LED-macro 13
			081ó 085	LED-macro 14
			086ó 090	LED-macro 15
			091ó 095	LED-macro 16
			096ó 100	LED-macro 17
			101ó 105	LED-macro 18
			106ó 110	LED-macro 19
			111ó 115	LED-macro 20
			116ó 120	LED-macro 21
			121ó 125	LED-macro 22
			126ó 130	LED-macro 23
			131ó 135	LED-macro 24 (cyclus 1–23)
			136ó 140	Automatisch programma 1
			141ó 145	Automatisch programma 2
			146ó 150	Automatisch programma 3
			151ó 155	Automatisch programma 4
			156ó 160	Automatisch programma 5
			161ó 165	Automatisch programma 6
			166ó 170	Automatisch programma 7
			171ó 175	Automatisch programma 8
			176ó 180	Automatisch programma 9
			181ó 185	Automatisch programma 10
			186ó 190	Automatisch programma 11
			191ó 195	Automatisch programma 12
			196ó 200	Automatisch programma 13
			201ó 205	Automatisch programma 14
			206ó 210	Automatisch programma 15
			211ó 215	Automatisch programma 16
			216ó 220	Automatisch programma 17
			221ó 225	Automatisch programma 18
			226ó 230	Automatisch programma 19
			231ó 235	Automatisch programma 20
			236ó 240	Automatisch programma 21
			241ó 245	Automatisch programma 22
			246ó 250	Automatisch programma 23
			251ó 255	Automatisch programma 24 (cyclus 1–23)
	11	LED-macro/ Automatisch programma		
	12	LED-Macro snelheid	000ó 255	Langzaam tot snel

Tour 2
 (52CH
 vervolg)

Kanaal	Functie	Waarde	Percentage/instelling
13	Kantelen 1	000ó255	0–100%
14	Fijn kantelen 1	000ó255	0–100%
15	Continue Kantelen 1	000	Geen functie
		001ó127	Rotatie tegen de klok in, langzaam tot snel
		128	Stop
		129ó255	Rotatie met de klok mee, langzaam tot snel
16	Kop 1 Dimmer	000ó255	0–100%
17	Kop 1 Rood	000ó255	RGBW-modus: 0–100%/CMY-modus: 100%–0
18	Kop 1 Groen	000ó255	RGBW-modus: 0–100%/CMY-modus: 100%–0
19	Kop 1 Blauw	000ó255	RGBW-modus: 0–100%/CMY-modus: 100%–0
20	Kop 1 Wit	000ó255	RGBW-modus: 0–100%/CMY-modus: 100%–0
21	Kantelen 2	000ó255	0–100%
22	Fijn kantelen 2	000ó255	0–100%
23	Continue Kantelen 2	000	Geen functie
		001ó127	Rotatie tegen de klok in, langzaam tot snel
		128	Stop
		129ó255	Rotatie met de klok mee, langzaam tot snel
24	Kop 2 Dimmer	000ó255	0–100%
25	Kop 2 Rood	000ó255	RGBW-modus: 0–100%/CMY-modus: 100%–0
26	Kop 2 Groen	000ó255	RGBW-modus: 0–100%/CMY-modus: 100%–0
27	Kop 2 Blauw	000ó255	RGBW-modus: 0–100%/CMY-modus: 100%–0
28	Kop 2 Wit	000ó255	RGBW-modus: 0–100%/CMY-modus: 100%–0
29	Kantelen 3	000ó255	0–100%
30	Fijn kantelen 3	000ó255	0–100%
31	Continue Kantelen 3	000	Geen functie
		001ó127	Rotatie tegen de klok in, langzaam tot snel
		128	Stop
		129ó255	Rotatie met de klok mee, langzaam tot snel
32	Kop 3 Dimmer	000ó255	0–100%
33	Kop 3 Rood	000ó255	RGBW-modus: 0–100%/CMY-modus: 100%–0
34	Kop 3 Groen	000ó255	RGBW-modus: 0–100%/CMY-modus: 100%–0
35	Kop 3 Blauw	000ó255	RGBW-modus: 0–100%/CMY-modus: 100%–0
36	Kop 3 Wit	000ó255	RGBW-modus: 0–100%/CMY-modus: 100%–0
37	Kantelen 4	000ó255	0–100%
38	Fijn kantelen 4	000ó255	0–100%
39	Continue Kantelen 4	000	Geen functie
		001ó127	Rotatie tegen de klok in, langzaam tot snel
		128	Stop
		129ó255	Rotatie met de klok mee, langzaam tot snel
40	Kop 4 Dimmer	000ó255	0–100%
41	Kop 4 Rood	000ó255	RGBW-modus: 0–100%/CMY-modus: 100%–0
42	Kop 4 Groen	000ó255	RGBW-modus: 0–100%/CMY-modus: 100%–0
43	Kop 4 Blauw	000ó255	RGBW-modus: 0–100%/CMY-modus: 100%–0
44	Kop 4 Wit	000ó255	RGBW-modus: 0–100%/CMY-modus: 100%–0
45	Kantelen 5	000ó255	0–100%
46	Fijn kantelen 5	000ó255	0–100%
47	Continue Kantelen 5	000	Geen functie
		001ó127	Rotatie tegen de klok in, langzaam tot snel
		128	Stop
		129ó255	Rotatie met de klok mee, langzaam tot snel

Tour 2	Kanaal	Functie	Waarde	Percentage/instelling
(52CH vervolg)	48	Kop 5 Dimmer	000ó 255	0–100%
	49	Kop 5 Rood	000ó 255	RGBW-modus: 0–100%/CMY-modus: 100%–0
	50	Kop 5 Groen	000ó 255	RGBW-modus: 0–100%/CMY-modus: 100%–0
	51	Kop 5 Blauw	000ó 255	RGBW-modus: 0–100%/CMY-modus: 100%–0
	52	Kop 5 Wit	000ó 255	RGBW-modus: 0–100%/CMY-modus: 100%–0

“Single Control”-waarden

Tour Modus	Kanaal	Functie	Waarde	Percentage/instelling	
(47CH)	1	Zwenken	000ó 255	0–100%	
	2	Fijn zwenken	000ó 255	0–100%	
	3	Continue zwenken	000	000	Geen functie
			001ó 127	001ó 127	Rotatie tegen de klok in, langzaam tot snel
			128	128	Stop
129ó 255			129ó 255	Rotatie met de klok mee, langzaam tot snel	
4	Kantelmacro	000ó 047	000ó 047	Geen functie	
		048ó 055	048ó 055	Kantelmacro 1	
		056ó 063	056ó 063	Kantelmacro 2	
		064ó 071	064ó 071	Kantelmacro 3	
		072ó 079	072ó 079	Kantelmacro 4	
		080ó 087	080ó 087	Kantelmacro 5	
		088ó 095	088ó 095	Kantelmacro 6	
		096ó 103	096ó 103	Kantelmacro 7	
		104ó 111	104ó 111	Kantelmacro 8	
		112ó 119	112ó 119	Kantelmacro 9	
		120ó 127	120ó 127	Kantelmacro 10	
		128ó 135	128ó 135	Kantelmacro 11	
		136ó 143	136ó 143	Kantelmacro 12	
		144ó 151	144ó 151	Kantelmacro 13	
		152ó 159	152ó 159	Kantelmacro 14	
		160ó 167	160ó 167	Kantelmacro 15	
		168ó 175	168ó 175	Kantelmacro 16	
		176ó 183	176ó 183	Kantelmacro 17	
		184ó 191	184ó 191	Kantelmacro 18	
		192ó 199	192ó 199	Kantelmacro 19	
200ó 207	200ó 207	Kantelmacro 20			
208ó 215	208ó 215	Kantelmacro 21			
216ó 223	216ó 223	Kantelmacro 22			
224ó 231	224ó 231	Kantelmacro 23			
232ó 239	232ó 239	Kantelmacro 24			
240ó 247	240ó 247	Kantelmacro 25			
248ó 255	248ó 255	Kantelmacro 26			
5	Kantelmacro snelheid	000ó 255	000ó 255	Snel tot langzaam	

Tour (47CH vervolg)	Kanaal	Functie	Waarde	Percentage/instelling
6	Regeling	000	009	Geen functie
		010	014	Handmatige kantelverduistering
		015	019	Annuleer handmatige kantelverduistering
		020	024	1 armatuurmacro
		025	029	2 armatuurmacro 2
		030	034	4 armatuurmacro 1
		035	039	4 armatuurmacro 2
		040	044	4 armatuurmacro 2
		045	049	4 armatuurmacro 3
		050	054	4 armatuurmacro 4
		055	059	Zwenkreset
		060	064	Kantelreset
		065	069	Geen functie (gereserveerd voor toekomstig gebruik)
		070	074	Alles herstellen
		075	079	Geen functie (gereserveerd voor toekomstig gebruik)
		080	084	Zwenken/kantelen omkeren
		085	089	Zwenken omkeren
		090	094	Kantelen omkeren
		095	099	Omkeren kantelen annuleren
		100	104	Omkeren zwenken annuleren
		105	109	Omkeren kantelen/zwenken annuleren
110	114	Geen functie (gereserveerd voor toekomstig gebruik)		
115	119	Koppel alle koppen aan kop 1		
120	124	Ontkoppel alle koppen van kop 1		
125	129	Geen functie (gereserveerd voor toekomstig gebruik)		
130	134	Geen functie (gereserveerd voor toekomstig gebruik)		
135	139	Dimmersnelheid modus snel		
140	144	Dimmersnelheid modus soepel		
145	255	Geen functie		
7	Dimmer	000	255	0–100%
8	Sluiter	000	019	Uit
		020	024	Aan
		025	064	Langzaam tot snel
		065	069	Aan
		070	084	Snel aan, langzaam uit, snel tot langzaam
		085	089	Aan
		090	104	Langzaam aan, snel uit, snel tot langzaam
		105	109	Aan
		110	124	Willekeurig, snel tot langzaam
		125	129	Aan
		130	144	Willekeurig snel aan, langzaam uit, snel tot langzaam
		145	149	Aan
		150	164	Willekeurig langzaam aan, snel uit, snel tot langzaam
		165	169	Aan
		170	184	Puls, snel tot langzaam
		185	189	Aan
		190	204	Willekeurige puls, snel tot langzaam
		205	209	Aan
		210	224	Infaden, uifaden, snel tot langzaam
		225	229	Aan
230	244	Willekeurige puls, snel tot langzaam		
245	255	Aan		

Tour (47CH vervolg)	Kanaal	Functie	Waarde	Percentage/instelling
			000ó 013	Geen functie
			014ó 020	Kleur 1
			021ó 028	Kleur 2
			029ó 036	Kleur 3
			037ó 044	Kleur 4
			045ó 052	Kleur 5
			053ó 060	Kleur 6
			061ó 068	Kleur 7
			069ó 076	Kleur 8
			077ó 084	Kleur 9
			085ó 092	Kleur 10
			093ó 100	Kleur 11
			101ó 108	Kleur 12
			109ó 116	Kleur 13
			117ó 124	Kleur 14
			125ó 133	Kleur 15
			134ó 185	Geen functie
			186ó 207	Regenboogeffect, snel tot langzaam
			208ó 213	Stop
			214ó 235	Omgekeerd regenboogeffect, snel tot langzaam
			236ó 240	Geen functie
			241ó 255	Kleursprong, snel tot langzaam

Tour (47CH vervolg)	Kanaal	Functie	Waarde	Percentage/instelling				
				Kop 1	Kop 2	Kop 3	Kop 4	Kop 5
			000ó 005	●	●	●	●	●
			006ó 011	○	●	●	●	●
			012ó 017	○	○	●	●	●
			018ó 023	○	○	○	●	●
			024ó 029	○	○	○	○	●
			030ó 035	○	○	○	○	○
			036ó 041	●	○	○	○	○
			042ó 047	●	●	○	○	○
			048ó 053	●	●	●	○	○
			054ó 059	●	●	●	●	○
			060ó 065	●	●	●	●	●
			066ó 071	○	○	○	○	○
			072ó 077	●	○	○	○	○
			078ó 083	○	●	○	○	○
			084ó 089	○	○	●	○	○
			090ó 095	○	○	○	●	○
			096ó 101	○	○	○	○	●
			102ó 107	○	○	○	○	○
			108ó 113	●	●	○	○	○
			114ó 119	○	●	●	○	○
			120ó 125	○	○	●	●	○
			126ó 131	○	○	○	●	●
			132ó 137	●	○	○	○	●
			138ó 143	○	○	○	○	○
			144ó 149	○	●	●	●	●
			150ó 155	●	○	●	●	●
			156ó 161	●	●	○	●	●
			162ó 167	●	●	●	○	●
			168ó 173	●	●	●	●	○
			174ó 179	○	○	○	○	○
			180ó 185	○	○	○	○	●
			186ó 191	○	○	○	●	●
			192ó 197	○	○	●	●	●
			198ó 203	○	●	●	●	●
			204ó 209	●	●	●	●	●
			210ó 215	○	○	○	○	○
			216ó 221	●	●	●	○	○
			222ó 227	○	●	●	●	○
			228ó 233	○	○	●	●	●
			234ó 239	●	○	○	●	●
			240ó 245	●	●	○	○	●
			246ó 255	●	●	●	●	●

10

Voorinstelling
aan/uit
(● = aan; ○ = uit)

Tour (47CH vervolg)	Kanaal	Functie	Waarde	Percentage/instelling
11		LED-macro/ Automatisch programma	000ó 015	Geen functie
			016ó 020	LED-macro 1
			021ó 025	LED-macro 2
			026ó 030	LED-macro 3
			031ó 035	LED-macro 4
			036ó 040	LED-macro 5
			041ó 045	LED-macro 6
			046ó 050	LED-macro 7
			051ó 055	LED-macro 8
			056ó 060	LED-macro 9
			061ó 065	LED-macro 10
			066ó 070	LED-macro 11
			071ó 075	LED-macro 12
			076ó 080	LED-macro 13
			081ó 085	LED-macro 14
			086ó 090	LED-macro 15
			091ó 095	LED-macro 16
			096ó 100	LED-macro 17
			101ó 105	LED-macro 18
			106ó 110	LED-macro 19
			111ó 115	LED-macro 20
			116ó 120	LED-macro 21
			121ó 125	LED-macro 22
			126ó 130	LED-macro 23
			131ó 135	LED-macro 24 (cyclus 1–23)
			136ó 140	Automatisch programma 1
			141ó 145	Automatisch programma 2
			146ó 150	Automatisch programma 3
			151ó 155	Automatisch programma 4
			156ó 160	Automatisch programma 5
			161ó 165	Automatisch programma 6
166ó 170	Automatisch programma 7			
171ó 175	Automatisch programma 8			
176ó 180	Automatisch programma 9			
181ó 185	Automatisch programma 10			
186ó 190	Automatisch programma 11			
191ó 195	Automatisch programma 12			
196ó 200	Automatisch programma 13			
201ó 205	Automatisch programma 14			
206ó 210	Automatisch programma 15			
211ó 215	Automatisch programma 16			
216ó 220	Automatisch programma 17			
221ó 225	Automatisch programma 18			
226ó 230	Automatisch programma 19			
231ó 235	Automatisch programma 20			
236ó 240	Automatisch programma 21			
241ó 245	Automatisch programma 22			
246ó 250	Automatisch programma 23			
251ó 255	Automatisch programma 24 (cyclus 1–23)			
12		LED-Macro snelheid	000ó 255	Langzaam tot snel

Tour (47CH vervolg)	Kanaal	Functie	Waarde	Percentage/instelling
	13	Kantelen 1		000ó255
14	Fijn kantelen 1		000ó255	0–100%
15	Continue Kantelen 1		000	Geen functie
			001ó127 128	Rotatie tegen de klok in, langzaam tot snel Stop
			129ó255	Rotatie met de klok mee, langzaam tot snel
16	Kop 1 Rood		000ó255	RGBW-modus: 0–100%/CMY-modus: 100%–0
17	Kop 1 Groen		000ó255	RGBW-modus: 0–100%/CMY-modus: 100%–0
18	Kop 1 Blauw		000ó255	RGBW-modus: 0–100%/CMY-modus: 100%–0
19	Kop 1 Wit		000ó255	RGBW-modus: 0–100%/CMY-modus: 100%–0
20	Kantelen 2		000ó255	0–100%
21	Fijn kantelen 2		000ó255	0–100%
22	Continue Kantelen 2		000	Geen functie
			001ó127 128	Rotatie tegen de klok in, langzaam tot snel Stop
			129ó255	Rotatie met de klok mee, langzaam tot snel
23	Kop 2 Rood		000ó255	RGBW-modus: 0–100%/CMY-modus: 100%–0
24	Kop 2 Groen		000ó255	RGBW-modus: 0–100%/CMY-modus: 100%–0
25	Kop 2 Blauw		000ó255	RGBW-modus: 0–100%/CMY-modus: 100%–0
26	Kop 2 Wit		000ó255	RGBW-modus: 0–100%/CMY-modus: 100%–0
27	Kantelen 3		000ó255	0–100%
28	Fijn kantelen 3		000ó255	0–100%
29	Continue Kantelen 3		000	Geen functie
			001ó127 128	Rotatie tegen de klok in, langzaam tot snel Stop
			129ó255	Rotatie met de klok mee, langzaam tot snel
30	Kop 3 Rood		000ó255	RGBW-modus: 0–100%/CMY-modus: 100%–0
31	Kop 3 Groen		000ó255	RGBW-modus: 0–100%/CMY-modus: 100%–0
32	Kop 3 Blauw		000ó255	RGBW-modus: 0–100%/CMY-modus: 100%–0
33	Kop 3 Wit		000ó255	RGBW-modus: 0–100%/CMY-modus: 100%–0
34	Kantelen 4		000ó255	0–100%
35	Fijn kantelen 4		000ó255	0–100%
36	Continue Kantelen 4		000	Geen functie
			001ó127 128	Rotatie tegen de klok in, langzaam tot snel Stop
			129ó255	Rotatie met de klok mee, langzaam tot snel
37	Kop 4 Rood		000ó255	RGBW-modus: 0–100%/CMY-modus: 100%–0
38	Kop 4 Groen		000ó255	RGBW-modus: 0–100%/CMY-modus: 100%–0
39	Kop 4 Blauw		000ó255	RGBW-modus: 0–100%/CMY-modus: 100%–0
40	Kop 4 Wit		000ó255	RGBW-modus: 0–100%/CMY-modus: 100%–0
41	Kantelen 5		000ó255	0–100%
42	Fijn kantelen 5		000ó255	0–100%
43	Continue Kantelen 5		000	Geen functie
			001ó127 128	Rotatie tegen de klok in, langzaam tot snel Stop
			129ó255	Rotatie met de klok mee, langzaam tot snel
44	Kop 5 Rood		000ó255	RGBW-modus: 0–100%/CMY-modus: 100%–0
45	Kop 5 Groen		000ó255	RGBW-modus: 0–100%/CMY-modus: 100%–0
46	Kop 5 Blauw		000ó255	RGBW-modus: 0–100%/CMY-modus: 100%–0
47	Kop 5 Wit		000ó255	RGBW-modus: 0–100%/CMY-modus: 100%–0

“Advanced” Modus (47CH)	Kanaal	Functie	Waarde	Percentage/instelling
	1	Zwenken	000ó 255	0–100%
	2	Fijn zwenken	000ó 255	0–100%
	3	Continue zwenken	000	Geen functie
			001ó 127	Rotatie tegen de klok in, langzaam tot snel
			128 129ó 255	Stop Rotatie met de klok mee, langzaam tot snel
	4	Kantelen 1	000ó 255	0–100%
	5	Fijn kantelen 1	000ó 255	0–100%
	6	Kantelen 2	000ó 255	0–100%
	7	Fijn kantelen 2	000ó 255	0–100%
	8	Kantelen 3	000ó 255	0–100%
	9	Fijn kantelen 3	000ó 255	0–100%
	10	Kantelen 4	000ó 255	0–100%
	11	Fijn kantelen 4	000ó 255	0–100%
12	Kantelen 5	000ó 255	0–100%	
13	Fijn kantelen 5	000ó 255	0–100%	
14	Continue Kantelen 1	000	Geen functie	
		001ó 127	Rotatie tegen de klok in, langzaam tot snel	
		128 129ó 255	Stop Rotatie met de klok mee, langzaam tot snel	
15	Continue Kantelen 2	000	Geen functie	
		001ó 127	Rotatie tegen de klok in, langzaam tot snel	
		128 129ó 255	Stop Rotatie met de klok mee, langzaam tot snel	
16	Continue Kantelen 3	000	Geen functie	
		001ó 127	Rotatie tegen de klok in, langzaam tot snel	
		128 129ó 255	Stop Rotatie met de klok mee, langzaam tot snel	
17	Continue Kantelen 4	000	Geen functie	
		001ó 127	Rotatie tegen de klok in, langzaam tot snel	
		128 129ó 255	Stop Rotatie met de klok mee, langzaam tot snel	
18	Continue Kantelen 5	000	Geen functie	
		001ó 127	Rotatie tegen de klok in, langzaam tot snel	
		128 129ó 255	Stop Rotatie met de klok mee, langzaam tot snel	

"Advanced"	Kanaal	Functie	Waarde	Percentage/instelling
Modus (47CH vevolg)	19	Kantelmacro	000ó 047	Geen functie
			048ó 055	Kantelmacro 1
			056ó 063	Kantelmacro 2
			064ó 071	Kantelmacro 3
			072ó 079	Kantelmacro 4
			080ó 087	Kantelmacro 5
			088ó 095	Kantelmacro 6
			096ó 103	Kantelmacro 7
			104ó 111	Kantelmacro 8
			112ó 119	Kantelmacro 9
			120ó 127	Kantelmacro 10
			128ó 135	Kantelmacro 11
			136ó 143	Kantelmacro 12
			144ó 151	Kantelmacro 13
			152ó 159	Kantelmacro 14
			160ó 167	Kantelmacro 15
			168ó 175	Kantelmacro 16
			176ó 183	Kantelmacro 17
			184ó 191	Kantelmacro 18
			192ó 199	Kantelmacro 19
			200ó 207	Kantelmacro 20
			208ó 215	Kantelmacro 21
			216ó 223	Kantelmacro 22
			224ó 231	Kantelmacro 23
			232ó 239	Kantelmacro 24
			240ó 247	Kantelmacro 25
			248ó 255	Kantelmacro 26
20	Kantelmacro snelheid	000ó 255	Snel tot langzaam	

“Advanced” Modus	Kanaal	Functie	Waarde	Percentage/instelling
(47CH vervolg)	21	Regeling	000ó 009	Geen functie
			010ó 014	Handmatige kantelverduistering
			015ó 019	Annuleer handmatige kantelverduistering
			020ó 024	1 armatuurmacro
			025ó 029	2 armatuurmacro 2
			030ó 034	4 armatuurmacro 1
			035ó 039	4 armatuurmacro 2
			040ó 044	4 armatuurmacro 2
			045ó 049	4 armatuurmacro 3
			050ó 054	4 armatuurmacro 4
			055ó 059	Zwenkreset
			060ó 064	Kantelreset
			065ó 069	Geen functie (gereserveerd voor toekomstig gebruik)
			070ó 074	Alles herstellen
			075ó 079	Geen functie (gereserveerd voor toekomstig gebruik)
			080ó 084	Zwenken/kantelen omkeren
			085ó 089	Zwenken omkeren
			090ó 094	Kantelen omkeren
			095ó 099	Omkeren kantelen annuleren
			100ó 104	Omkeren zwenken annuleren
			105ó 109	Omkeren kantelen/zwenken annuleren
110ó 114	Geen functie (gereserveerd voor toekomstig gebruik)			
115ó 119	Koppel alle koppen aan kop 1			
120ó 124	Ontkoppel alle koppen van kop 1			
125ó 129	Geen functie (gereserveerd voor toekomstig gebruik)			
130ó 134	Geen functie (gereserveerd voor toekomstig gebruik)			
135ó 139	Dimmersnelheid modus snel			
140ó 144	Dimmersnelheid modus soepel			
145ó 255	Geen functie			
22	Dimmer		000ó 255	0–100%
	23	Sluiter	000ó 019	Uit
			020ó 024	Aan
			025ó 064	Langzaam tot snel
			065ó 069	Aan
			070ó 084	Snel aan, langzaam uit, snel tot langzaam
			085ó 089	Aan
			090ó 104	Langzaam aan, snel uit, snel tot langzaam
			105ó 109	Aan
			110ó 124	Willekeurig, snel tot langzaam
			125ó 129	Aan
			130ó 144	Willekeurig snel aan, langzaam uit, snel tot langzaam
			145ó 149	Aan
			150ó 164	Willekeurig langzaam aan, snel uit, snel tot langzaam
			165ó 169	Aan
			170ó 184	Puls, snel tot langzaam
			185ó 189	Aan
			190ó 204	Willekeurige puls, snel tot langzaam
			205ó 209	Aan
			210ó 224	Infaden, uitfaden, snel tot langzaam
			225ó 229	Aan
			230ó 244	Willekeurige puls, snel tot langzaam
245ó 255	Aan			

"Advanced"	Kanaal	Functie	Waarde	Percentage/instelling
Modus (47CH vervolg)	24	Kleurenmacro	000ó 013	Geen functie
			014ó 020	Kleur 1
			021ó 028	Kleur 2
			029ó 036	Kleur 3
			037ó 044	Kleur 4
			045ó 052	Kleur 5
			053ó 060	Kleur 6
			061ó 068	Kleur 7
			069ó 076	Kleur 8
			077ó 084	Kleur 9
			085ó 092	Kleur 10
			093ó 100	Kleur 11
			101ó 108	Kleur 12
			109ó 116	Kleur 13
			117ó 124	Kleur 14
			125ó 133	Kleur 15
			134ó 185	Geen functie
			186ó 207	Regenboogeffect, snel tot langzaam
			208ó 213	Stop
			214ó 235	Omgekeerd regenboogeffect, snel tot langzaam
			236ó 240	Geen functie
			241ó 255	Kleursprong, snel tot langzaam

“Advanced” Modus (47CH vervolg)	Kanaal	Functie	Waarde	Percentage/instelling				
				Kop 1	Kop 2	Kop 3	Kop 4	Kop 5
			000 ó 005	●	●	●	●	●
			006 ó 011	○	●	●	●	●
			012 ó 017	○	○	●	●	●
			018 ó 023	○	○	○	●	●
			024 ó 029	○	○	○	○	●
			030 ó 035	○	○	○	○	○
			036 ó 041	●	○	○	○	○
			042 ó 047	●	●	○	○	○
			048 ó 053	●	●	●	○	○
			054 ó 059	●	●	●	●	○
			060 ó 065	●	●	●	●	●
			066 ó 071	○	○	○	○	○
			072 ó 077	●	○	○	○	○
			078 ó 083	○	●	○	○	○
			084 ó 089	○	○	●	○	○
			090 ó 095	○	○	○	●	○
			096 ó 101	○	○	○	○	●
			102 ó 107	○	○	○	○	○
			108 ó 113	●	●	○	○	○
			114 ó 119	○	●	●	○	○
			120 ó 125	○	○	●	●	○
			126 ó 131	○	○	○	●	●
			132 ó 137	●	○	○	○	●
			138 ó 143	○	○	○	○	○
			144 ó 149	○	●	●	●	●
			150 ó 155	●	○	●	●	●
			156 ó 161	●	●	○	●	●
			162 ó 167	●	●	●	○	●
			168 ó 173	●	●	●	●	○
			174 ó 179	○	○	○	○	○
			180 ó 185	○	○	○	○	●
			186 ó 191	○	○	○	●	●
			192 ó 197	○	○	●	●	●
			198 ó 203	○	●	●	●	●
			204 ó 209	●	●	●	●	●
			210 ó 215	○	○	○	○	○
			216 ó 221	●	●	●	○	○
			222 ó 227	○	●	●	●	○
			228 ó 233	○	○	●	●	●
			234 ó 239	●	○	○	●	●
			240 ó 245	●	●	○	○	●
			246 ó 255	●	●	●	●	●

25

Voorinstelling
aan/uit
(● = aan; ○ = uit)

"Advanced"	Kanaal	Functie	Waarde	Percentage/instelling
Modus (47CH vervolg)	26	LED-macro/ Automatisch programma	000ó 015	Geen functie
			016ó 020	LED-macro 1
			021ó 025	LED-macro 2
			026ó 030	LED-macro 3
			031ó 035	LED-macro 4
			036ó 040	LED-macro 5
			041ó 045	LED-macro 6
			046ó 050	LED-macro 7
			051ó 055	LED-macro 8
			056ó 060	LED-macro 9
			061ó 065	LED-macro 10
			066ó 070	LED-macro 11
			071ó 075	LED-macro 12
			076ó 080	LED-macro 13
			081ó 085	LED-macro 14
			086ó 090	LED-macro 15
			091ó 095	LED-macro 16
			096ó 100	LED-macro 17
			101ó 105	LED-macro 18
			106ó 110	LED-macro 19
			111ó 115	LED-macro 20
			116ó 120	LED-macro 21
			121ó 125	LED-macro 22
			126ó 130	LED-macro 23
			131ó 135	LED-macro 24 (cyclus 1–23)
			136ó 140	Automatisch programma 1
			141ó 145	Automatisch programma 2
			146ó 150	Automatisch programma 3
			151ó 155	Automatisch programma 4
			156ó 160	Automatisch programma 5
			161ó 165	Automatisch programma 6
166ó 170	Automatisch programma 7			
171ó 175	Automatisch programma 8			
176ó 180	Automatisch programma 9			
181ó 185	Automatisch programma 10			
186ó 190	Automatisch programma 11			
191ó 195	Automatisch programma 12			
196ó 200	Automatisch programma 13			
201ó 205	Automatisch programma 14			
206ó 210	Automatisch programma 15			
211ó 215	Automatisch programma 16			
216ó 220	Automatisch programma 17			
221ó 225	Automatisch programma 18			
226ó 230	Automatisch programma 19			
231ó 235	Automatisch programma 20			
236ó 240	Automatisch programma 21			
241ó 245	Automatisch programma 22			
246ó 250	Automatisch programma 23			
251ó 255	Automatisch programma 24 (cyclus 1–23)			
27		LED-Macro snelheid	000ó 255	Langzaam tot snel

“Advanced” Modus (47CH vervolg)	Kanaal	Functie	Waarde	Percentage/instelling
	28	Kop 1 Rood	000ó 255	RGBW-modus: 0–100%/CMY-modus: 100%–0
	29	Kop 1 Groen	000ó 255	RGBW-modus: 0–100%/CMY-modus: 100%–0
	30	Kop 1 Blauw	000ó 255	RGBW-modus: 0–100%/CMY-modus: 100%–0
	31	Kop 1 Wit	000ó 255	RGBW-modus: 0–100%/CMY-modus: 100%–0
	32	Kop 2 Rood	000ó 255	RGBW-modus: 0–100%/CMY-modus: 100%–0
	33	Kop 2 Groen	000ó 255	RGBW-modus: 0–100%/CMY-modus: 100%–0
	34	Kop 2 Blauw	000ó 255	RGBW-modus: 0–100%/CMY-modus: 100%–0
	35	Kop 2 Wit	000ó 255	RGBW-modus: 0–100%/CMY-modus: 100%–0
	36	Kop 3 Rood	000ó 255	RGBW-modus: 0–100%/CMY-modus: 100%–0
	37	Kop 3 Groen	000ó 255	RGBW-modus: 0–100%/CMY-modus: 100%–0
	38	Kop 3 Blauw	000ó 255	RGBW-modus: 0–100%/CMY-modus: 100%–0
	39	Kop 3 Wit	000ó 255	RGBW-modus: 0–100%/CMY-modus: 100%–0
	40	Kop 4 Rood	000ó 255	RGBW-modus: 0–100%/CMY-modus: 100%–0
	41	Kop 4 Groen	000ó 255	RGBW-modus: 0–100%/CMY-modus: 100%–0
	42	Kop 4 Blauw	000ó 255	RGBW-modus: 0–100%/CMY-modus: 100%–0
	43	Kop 4 Wit	000ó 255	RGBW-modus: 0–100%/CMY-modus: 100%–0
	44	Kop 5 Rood	000ó 255	RGBW-modus: 0–100%/CMY-modus: 100%–0
	45	Kop 5 Groen	000ó 255	RGBW-modus: 0–100%/CMY-modus: 100%–0
	46	Kop 5 Blauw	000ó 255	RGBW-modus: 0–100%/CMY-modus: 100%–0
	47	Kop 5 Wit	000ó 255	RGBW-modus: 0–100%/CMY-modus: 100%–0

“Standard” Modus	Kanaal	Functie	Waarde	Percentage/instelling
(25CH)	1	Zwenken	000 ó 255	0–100%
			000	Geen functie
	2	Continue zwenken	001 ó 127 128 129 ó 255	Rotatie tegen de klok in, langzaam tot snel Stop Rotatie met de klok mee, langzaam tot snel
	3	Kantelen 1	000 ó 255	0–100%
	4	Kantelen 2	000 ó 255	0–100%
	5	Kantelen 3	000 ó 255	0–100%
	6	Kantelen 4	000 ó 255	0–100%
	7	Kantelen 5	000 ó 255	0–100%
	8	Continue Kantelen 1	000 001 ó 127 128 129 ó 255	Geen functie Rotatie tegen de klok in, langzaam tot snel Stop Rotatie met de klok mee, langzaam tot snel
	9	Continue Kantelen 2	000 001 ó 127 128 129 ó 255	Geen functie Rotatie tegen de klok in, langzaam tot snel Stop Rotatie met de klok mee, langzaam tot snel
	10	Continue Kantelen 3	000 001 ó 127 128 129 ó 255	Geen functie Rotatie tegen de klok in, langzaam tot snel Stop Rotatie met de klok mee, langzaam tot snel
	11	Continue Kantelen 4	000 001 ó 127 128 129 ó 255	Geen functie Rotatie tegen de klok in, langzaam tot snel Stop Rotatie met de klok mee, langzaam tot snel
12	Continue Kantelen 5	000 001 ó 127 128 129 ó 255	Geen functie Rotatie tegen de klok in, langzaam tot snel Stop Rotatie met de klok mee, langzaam tot snel	

“Standard” Modus (25CH vervolg)	Kanaal	Functie	Waarde	Percentage/instelling
13	Kantelmacro	000ó 047	Geen functie	
		048ó 055	Kantelmacro 1	
		056ó 063	Kantelmacro 2	
		064ó 071	Kantelmacro 3	
		072ó 079	Kantelmacro 4	
		080ó 087	Kantelmacro 5	
		088ó 095	Kantelmacro 6	
		096ó 103	Kantelmacro 7	
		104ó 111	Kantelmacro 8	
		112ó 119	Kantelmacro 9	
		120ó 127	Kantelmacro 10	
		128ó 135	Kantelmacro 11	
		136ó 143	Kantelmacro 12	
		144ó 151	Kantelmacro 13	
		152ó 159	Kantelmacro 14	
		160ó 167	Kantelmacro 15	
		168ó 175	Kantelmacro 16	
		176ó 183	Kantelmacro 17	
		184ó 191	Kantelmacro 18	
		192ó 199	Kantelmacro 19	
		200ó 207	Kantelmacro 20	
		208ó 215	Kantelmacro 21	
		216ó 223	Kantelmacro 22	
		224ó 231	Kantelmacro 23	
		232ó 239	Kantelmacro 24	
		240ó 247	Kantelmacro 25	
248ó 255	Kantelmacro 26			
14	Kantelmacro snelheid	000ó 255	Snel tot langzaam	

“Standard”	Kanaal	Functie	Waarde	Percentage/instelling
Modus (25CH vervolg)	15	Regeling	000ó 009	Geen functie
			010ó 014	Handmatige kantelverduistering
			015ó 019	Annuleer handmatige kantelverduistering
			020ó 024	1 armatuurmacro
			025ó 029	2 armatuurmacro 2
			030ó 034	4 armatuurmacro 1
			035ó 039	4 armatuurmacro 2
			040ó 044	4 armatuurmacro 2
			045ó 049	4 armatuurmacro 3
			050ó 054	4 armatuurmacro 4
			055ó 059	Zwenkreset
			060ó 064	Kantelreset
			065ó 069	Geen functie (gereserveerd voor toekomstig gebruik)
			070ó 074	Alles herstellen
			075ó 079	Geen functie (gereserveerd voor toekomstig gebruik)
			080ó 084	Zwenken/kantelen omkeren
			085ó 089	Zwenken omkeren
			090ó 094	Kantelen omkeren
			095ó 099	Omkeren kantelen annuleren
			100ó 104	Omkeren zwenken annuleren
			105ó 109	Omkeren kantelen/zwenken annuleren
			110ó 114	Geen functie (gereserveerd voor toekomstig gebruik)
			115ó 119	Koppel alle koppen aan kop 1
			120ó 124	Ontkoppel alle koppen van kop 1
			125ó 129	Geen functie (gereserveerd voor toekomstig gebruik)
130ó 134	Geen functie (gereserveerd voor toekomstig gebruik)			
135ó 139	Dimmersnelheid modus snel			
140ó 144	Dimmersnelheid modus soepel			
145ó 255	Geen functie			
16	Dimmer		000ó 255	0–100%
	17	Sluiter	000ó 019	Uit
			020ó 024	Aan
			025ó 064	Langzaam tot snel
			065ó 069	Aan
			070ó 084	Snel aan, langzaam uit, snel tot langzaam
			085ó 089	Aan
			090ó 104	Langzaam aan, snel uit, snel tot langzaam
			105ó 109	Aan
			110ó 124	Willekeurig, snel tot langzaam
			125ó 129	Aan
			130ó 144	Willekeurig snel aan, langzaam uit, snel tot langzaam
			145ó 149	Aan
			150ó 164	Willekeurig langzaam aan, snel uit, snel tot langzaam
			165ó 169	Aan
			170ó 184	Puls, snel tot langzaam
			185ó 189	Aan
			190ó 204	Willekeurige puls, snel tot langzaam
			205ó 209	Aan
			210ó 224	Infaden, uifaden, snel tot langzaam
			225ó 229	Aan
			230ó 244	Willekeurige puls, snel tot langzaam
			245ó 255	Aan

"Standard"	Kanaal	Functie	Waarde	Percentage/instelling
Modus (25CH vervolg)	18	Kleurenmacro	000ó 013	Geen functie
			014ó 020	Kleur 1
			021ó 028	Kleur 2
			029ó 036	Kleur 3
			037ó 044	Kleur 4
			045ó 052	Kleur 5
			053ó 060	Kleur 6
			061ó 068	Kleur 7
			069ó 076	Kleur 8
			077ó 084	Kleur 9
			085ó 092	Kleur 10
			093ó 100	Kleur 11
			101ó 108	Kleur 12
			109ó 116	Kleur 13
			117ó 124	Kleur 14
			125ó 133	Kleur 15
			134ó 185	Geen functie
			186ó 207	Regenboogeffect, snel tot langzaam
			208ó 213	Stop
			214ó 235	Omgekeerd regenboogeffect, snel tot langzaam
			236ó 240	Geen functie
			241ó 255	Kleursprong, snel tot langzaam

"Standard" Modus (25CH vervolg)	Kanaal	Functie	Waarde	Percentage/instelling				
				Kop 1	Kop 2	Kop 3	Kop 4	Kop 5
			000ó 005	●	●	●	●	●
			006ó 011	○	●	●	●	●
			012ó 017	○	○	●	●	●
			018ó 023	○	○	○	●	●
			024ó 029	○	○	○	○	●
			030ó 035	○	○	○	○	○
			036ó 041	●	○	○	○	○
			042ó 047	●	●	○	○	○
			048ó 053	●	●	●	○	○
			054ó 059	●	●	●	●	○
			060ó 065	●	●	●	●	●
			066ó 071	○	○	○	○	○
			072ó 077	●	○	○	○	○
			078ó 083	○	●	○	○	○
			084ó 089	○	○	●	○	○
			090ó 095	○	○	○	●	○
			096ó 101	○	○	○	○	●
			102ó 107	○	○	○	○	○
			108ó 113	●	●	○	○	○
			114ó 119	○	●	●	○	○
			120ó 125	○	○	●	●	○
			126ó 131	○	○	○	●	●
			132ó 137	●	○	○	○	●
			138ó 143	○	○	○	○	○
			144ó 149	○	●	●	●	●
			150ó 155	●	○	●	●	●
			156ó 161	●	●	○	●	●
			162ó 167	●	●	●	○	●
			168ó 173	●	●	●	●	○
			174ó 179	○	○	○	○	○
			180ó 185	○	○	○	○	●
			186ó 191	○	○	○	●	●
			192ó 197	○	○	●	●	●
			198ó 203	○	●	●	●	●
			204ó 209	●	●	●	●	●
			210ó 215	○	○	○	○	○
			216ó 221	●	●	●	○	○
			222ó 227	○	●	●	●	○
			228ó 233	○	○	●	●	●
			234ó 239	●	○	○	●	●
			240ó 245	●	●	○	○	●
			246ó 255	●	●	●	●	●

19

Voorinstelling
aan/uit
(● = aan; ○ = uit)

"Standard"	Kanaal	Functie	Waarde	Percentage/instelling
Modus (25CH vervolg)	20	LED-macro/ Automatisch programma	000ó 015	Geen functie
			016ó 020	LED-macro 1
			021ó 025	LED-macro 2
			026ó 030	LED-macro 3
			031ó 035	LED-macro 4
			036ó 040	LED-macro 5
			041ó 045	LED-macro 6
			046ó 050	LED-macro 7
			051ó 055	LED-macro 8
			056ó 060	LED-macro 9
			061ó 065	LED-macro 10
			066ó 070	LED-macro 11
			071ó 075	LED-macro 12
			076ó 080	LED-macro 13
			081ó 085	LED-macro 14
			086ó 090	LED-macro 15
			091ó 095	LED-macro 16
			096ó 100	LED-macro 17
			101ó 105	LED-macro 18
			106ó 110	LED-macro 19
			111ó 115	LED-macro 20
			116ó 120	LED-macro 21
			121ó 125	LED-macro 22
			126ó 130	LED-macro 23
			131ó 135	LED-macro 24 (cyclus 1–23)
136ó 140	Automatisch programma 1			
141ó 145	Automatisch programma 2			
146ó 150	Automatisch programma 3			
151ó 155	Automatisch programma 4			
156ó 160	Automatisch programma 5			
161ó 165	Automatisch programma 6			
166ó 170	Automatisch programma 7			
171ó 175	Automatisch programma 8			
176ó 180	Automatisch programma 9			
181ó 185	Automatisch programma 10			
186ó 190	Automatisch programma 11			
191ó 195	Automatisch programma 12			
196ó 200	Automatisch programma 13			
201ó 205	Automatisch programma 14			
206ó 210	Automatisch programma 15			
211ó 215	Automatisch programma 16			
216ó 220	Automatisch programma 17			
221ó 225	Automatisch programma 18			
226ó 230	Automatisch programma 19			
231ó 235	Automatisch programma 20			
236ó 240	Automatisch programma 21			
241ó 245	Automatisch programma 22			
246ó 250	Automatisch programma 23			
251ó 255	Automatisch programma 24 (cyclus 1–23)			
21	LED-Macro snelheid		000ó 255	Langzaam tot snel

“Standard”	Kanaal	Functie	Waarde	Percentage/instelling
Modus (25CH vervolg)	22	Rood	000ó 255	RGBW-modus: 0–100%/CMY-modus: 100%–0
	23	Groen	000ó 255	RGBW-modus: 0–100%/CMY-modus: 100%–0
	24	Blauw	000ó 255	RGBW-modus: 0–100%/CMY-modus: 100%–0
	25	Wit	000ó 255	RGBW-modus: 0–100%/CMY-modus: 100%–0

“Basic”	Kanaal	Functie	Waarde	Percentage/instelling
Modus (18CH)	1	Zwenken	000ó 255	0–100%
	2	Continue zwenken	000	Geen functie
			001ó 127 128	Rotatie tegen de klok in, langzaam tot snel Stop
			129ó 255	Rotatie met de klok mee, langzaam tot snel
	3	Kantelen alle	000ó 255	0–100%
	4	Continue kantelen alle	000	Geen functie
			001ó 127 128	Rotatie tegen de klok in, langzaam tot snel Stop
129ó 255			Rotatie met de klok mee, langzaam tot snel	
5	Kantelverplaatsing	000ó 255	Verplaatsing koppen van elkaar, 0–360°	
6	Kantelmacro	000ó 047	Geen functie	
		048ó 055	Kantelmacro 1	
		056ó 063	Kantelmacro 2	
		064ó 071	Kantelmacro 3	
		072ó 079	Kantelmacro 4	
		080ó 087	Kantelmacro 5	
		088ó 095	Kantelmacro 6	
		096ó 103	Kantelmacro 7	
		104ó 111	Kantelmacro 8	
		112ó 119	Kantelmacro 9	
		120ó 127	Kantelmacro 10	
		128ó 135	Kantelmacro 11	
		136ó 143	Kantelmacro 12	
		144ó 151	Kantelmacro 13	
		152ó 159	Kantelmacro 14	
		160ó 167	Kantelmacro 15	
		168ó 175	Kantelmacro 16	
		176ó 183	Kantelmacro 17	
		184ó 191	Kantelmacro 18	
		192ó 199	Kantelmacro 19	
200ó 207	Kantelmacro 20			
208ó 215	Kantelmacro 21			
216ó 223	Kantelmacro 22			
224ó 231	Kantelmacro 23			
232ó 239	Kantelmacro 24			
240ó 247	Kantelmacro 25			
248ó 255	Kantelmacro 26			
7	Kantelmacro snelheid	000ó 255	Snel tot langzaam	

“Basic” Modus (18CH vervolg)	Kanaal	Functie	Waarde	Percentage/instelling
8	Regeling	000ó 009	000ó 009	Geen functie
		010ó 014	010ó 014	Handmatige kantelverduistering
		015ó 019	015ó 019	Annuleer handmatige kantelverduistering
		020ó 024	020ó 024	1 armatuurmacro
		025ó 029	025ó 029	2 armatuurmacro 2
		030ó 034	030ó 034	4 armatuurmacro 1
		035ó 039	035ó 039	4 armatuurmacro 2
		040ó 044	040ó 044	4 armatuurmacro 2
		045ó 049	045ó 049	4 armatuurmacro 3
		050ó 054	050ó 054	4 armatuurmacro 4
		055ó 059	055ó 059	Zwenkreset
		060ó 064	060ó 064	Kantelreset
		065ó 069	065ó 069	Geen functie (gereserveerd voor toekomstig gebruik)
		070ó 074	070ó 074	Alles herstellen
		075ó 079	075ó 079	Geen functie (gereserveerd voor toekomstig gebruik)
		080ó 084	080ó 084	Zwenken/kantelen omkeren
		085ó 089	085ó 089	Zwenken omkeren
		090ó 094	090ó 094	Kantelen omkeren
		095ó 099	095ó 099	Omkeren kantelen annuleren
		100ó 104	100ó 104	Omkeren zwenken annuleren
		105ó 109	105ó 109	Omkeren kantelen/zwenken annuleren
		110ó 114	110ó 114	Geen functie (gereserveerd voor toekomstig gebruik)
		115ó 119	115ó 119	Koppel alle koppen aan kop 1
120ó 124	120ó 124	Ontkoppel alle koppen van kop 1		
125ó 129	125ó 129	Geen functie (gereserveerd voor toekomstig gebruik)		
130ó 134	130ó 134	Geen functie (gereserveerd voor toekomstig gebruik)		
135ó 139	135ó 139	Dimmersnelheid modus snel		
140ó 144	140ó 144	Dimmersnelheid modus soepel		
145ó 255	145ó 255	Geen functie		
9	Dimmer	000ó 255	000ó 255	0–100%
10	Sluiter	000ó 019	000ó 019	Uit
		020ó 024	020ó 024	Aan
		025ó 064	025ó 064	Langzaam tot snel
		065ó 069	065ó 069	Aan
		070ó 084	070ó 084	Snel aan, langzaam uit, snel tot langzaam
		085ó 089	085ó 089	Aan
		090ó 104	090ó 104	Langzaam aan, snel uit, snel tot langzaam
		105ó 109	105ó 109	Aan
		110ó 124	110ó 124	Willekeurig, snel tot langzaam
		125ó 129	125ó 129	Aan
		130ó 144	130ó 144	Willekeurig snel aan, langzaam uit, snel tot langzaam
		145ó 149	145ó 149	Aan
		150ó 164	150ó 164	Willekeurig langzaam aan, snel uit, snel tot langzaam
		165ó 169	165ó 169	Aan
		170ó 184	170ó 184	Puls, snel tot langzaam
		185ó 189	185ó 189	Aan
		190ó 204	190ó 204	Willekeurige puls, snel tot langzaam
		205ó 209	205ó 209	Aan
		210ó 224	210ó 224	Infaden, uitfaden, snel tot langzaam
		225ó 229	225ó 229	Aan
230ó 244	230ó 244	Willekeurige puls, snel tot langzaam		
245ó 255	245ó 255	Aan		

11	Kleurenmacro	000ó 013	Geen functie
		014ó 020	Kleur 1
		021ó 028	Kleur 2
		029ó 036	Kleur 3
		037ó 044	Kleur 4
		045ó 052	Kleur 5
		053ó 060	Kleur 6
		061ó 068	Kleur 7
		069ó 076	Kleur 8
		077ó 084	Kleur 9
		085ó 092	Kleur 10
		093ó 100	Kleur 11
		101ó 108	Kleur 12
		109ó 116	Kleur 13
		117ó 124	Kleur 14
		125ó 133	Kleur 15
		134ó 185	Geen functie
		186ó 207	Regenboogeffect, snel tot langzaam
		208ó 213	Stop
		214ó 235	Omgekeerd regenboogeffect, snel tot langzaam
		236ó 240	Geen functie
241ó 255	Kleursprong, snel tot langzaam		

"Basic" Modus (18CH vervolg)	Kanaal	Functie	Waarde	Percentage/instelling				
				Kop 1	Kop 2	Kop 3	Kop 4	Kop 5
			000ó 005	●	●	●	●	●
			006ó 011	○	●	●	●	●
			012ó 017	○	○	●	●	●
			018ó 023	○	○	○	●	●
			024ó 029	○	○	○	○	●
			030ó 035	○	○	○	○	○
			036ó 041	●	○	○	○	○
			042ó 047	●	●	○	○	○
			048ó 053	●	●	●	○	○
			054ó 059	●	●	●	●	○
			060ó 065	●	●	●	●	●
			066ó 071	○	○	○	○	○
			072ó 077	●	○	○	○	○
			078ó 083	○	●	○	○	○
			084ó 089	○	○	●	○	○
			090ó 095	○	○	○	●	○
			096ó 101	○	○	○	○	●
			102ó 107	○	○	○	○	○
			108ó 113	●	●	○	○	○
			114ó 119	○	●	●	○	○
			120ó 125	○	○	●	●	○
			126ó 131	○	○	○	●	●
			132ó 137	●	○	○	○	●
			138ó 143	○	○	○	○	○
			144ó 149	○	●	●	●	●
			150ó 155	●	○	●	●	●
			156ó 161	●	●	○	●	●
			162ó 167	●	●	●	○	●
			168ó 173	●	●	●	●	○
			174ó 179	○	○	○	○	○
			180ó 185	○	○	○	○	●
			186ó 191	○	○	○	●	●
			192ó 197	○	○	●	●	●
			198ó 203	○	●	●	●	●
			204ó 209	●	●	●	●	●
			210ó 215	○	○	○	○	○
			216ó 221	●	●	●	○	○
			222ó 227	○	●	●	●	○
			228ó 233	○	○	●	●	●
			234ó 239	●	○	○	●	●
			240ó 245	●	●	○	○	●
			246ó 255	●	●	●	●	●

12

Voorinstelling
aan/uit
(● = aan; ○ = uit)

"Basic" Modus (18CH vervolg)	Kanaal	Functie	Waarde	Percentage/instelling
			000ó 015	Geen functie
			016ó 020	LED-macro 1
			021ó 025	LED-macro 2
			026ó 030	LED-macro 3
			031ó 035	LED-macro 4
			036ó 040	LED-macro 5
			041ó 045	LED-macro 6
			046ó 050	LED-macro 7
			051ó 055	LED-macro 8
			056ó 060	LED-macro 9
			061ó 065	LED-macro 10
			066ó 070	LED-macro 11
			071ó 075	LED-macro 12
			076ó 080	LED-macro 13
			081ó 085	LED-macro 14
			086ó 090	LED-macro 15
			091ó 095	LED-macro 16
			096ó 100	LED-macro 17
			101ó 105	LED-macro 18
			106ó 110	LED-macro 19
			111ó 115	LED-macro 20
			116ó 120	LED-macro 21
			121ó 125	LED-macro 22
			126ó 130	LED-macro 23
			131ó 135	LED-macro 24 (cyclus 1–23)
			136ó 140	Automatisch programma 1
			141ó 145	Automatisch programma 2
			146ó 150	Automatisch programma 3
			151ó 155	Automatisch programma 4
			156ó 160	Automatisch programma 5
			161ó 165	Automatisch programma 6
			166ó 170	Automatisch programma 7
			171ó 175	Automatisch programma 8
			176ó 180	Automatisch programma 9
			181ó 185	Automatisch programma 10
			186ó 190	Automatisch programma 11
			191ó 195	Automatisch programma 12
			196ó 200	Automatisch programma 13
			201ó 205	Automatisch programma 14
			206ó 210	Automatisch programma 15
			211ó 215	Automatisch programma 16
			216ó 220	Automatisch programma 17
			221ó 225	Automatisch programma 18
			226ó 230	Automatisch programma 19
			231ó 235	Automatisch programma 20
			236ó 240	Automatisch programma 21
			241ó 245	Automatisch programma 22
			246ó 250	Automatisch programma 23
			251ó 255	Automatisch programma 24 (cyclus 1–23)

“Basic” Modus (18CH vervolg)	Kanaal	Functie	Waarde	Percentage/instelling
	14	LED-Macro snelheid	000ó255	Langzaam tot snel
	15	Rood	000ó255	RGBW-modus: 0–100%/CMY-modus: 100%–0
	16	Groen	000ó255	RGBW-modus: 0–100%/CMY-modus: 100%–0
	17	Blauw	000ó255	RGBW-modus: 0–100%/CMY-modus: 100%–0
	18	Wit	000ó255	RGBW-modus: 0–100%/CMY-modus: 100%–0

“Dual Control Movement”-waarden

“Advanced Movement” Modus (23CH)	Kanaal	Functie	Waarde	Percentage/instelling
	1	Zwenken	000ó255	0–100%
	2	Fijn zwenken	000ó255	0–100%
	3	Continue zwenken	000 001ó127 128 129ó255	Geen functie Rotatie tegen de klok in, langzaam tot snel Stop Rotatie met de klok mee, langzaam tot snel
	4	Kantelen 1	000ó255	0–100%
	5	Fijn kantelen 1	000ó255	0–100%
	6	Kantelen 2	000ó255	0–100%
	7	Fijn kantelen 2	000ó255	0–100%
	8	Kantelen 3	000ó255	0–100%
	9	Fijn kantelen 3	000ó255	0–100%
	10	Kantelen 4	000ó255	0–100%
	11	Fijn kantelen 4	000ó255	0–100%
	12	Kantelen 5	000ó255	0–100%
	13	Fijn kantelen 5	000ó255	0–100%
	14	Continue Kantelen 1	000 001ó127 128 129ó255	Geen functie Rotatie tegen de klok in, langzaam tot snel Stop Rotatie met de klok mee, langzaam tot snel
	15	Continue Kantelen 2	000 001ó127 128 129ó255	Geen functie Rotatie tegen de klok in, langzaam tot snel Stop Rotatie met de klok mee, langzaam tot snel
	16	Continue Kantelen 3	000 001ó127 128 129ó255	Geen functie Rotatie tegen de klok in, langzaam tot snel Stop Rotatie met de klok mee, langzaam tot snel
	17	Continue Kantelen 4	000 001ó127 128 129ó255	Geen functie Rotatie tegen de klok in, langzaam tot snel Stop Rotatie met de klok mee, langzaam tot snel
	18	Continue Kantelen 5	000 001ó127 128 129ó255	Geen functie Rotatie tegen de klok in, langzaam tot snel Stop Rotatie met de klok mee, langzaam tot snel

“Advanced Movement” Modus (23CH vervolg)	Kanaal	Functie	Waarde	Percentage/instelling
	19	Kantelmacro	000ó 047	Geen functie
			048ó 055	Kantelmacro 1
			056ó 063	Kantelmacro 2
			064ó 071	Kantelmacro 3
			072ó 079	Kantelmacro 4
			080ó 087	Kantelmacro 5
			088ó 095	Kantelmacro 6
			096ó 103	Kantelmacro 7
			104ó 111	Kantelmacro 8
			112ó 119	Kantelmacro 9
			120ó 127	Kantelmacro 10
			128ó 135	Kantelmacro 11
			136ó 143	Kantelmacro 12
			144ó 151	Kantelmacro 13
			152ó 159	Kantelmacro 14
			160ó 167	Kantelmacro 15
			168ó 175	Kantelmacro 16
			176ó 183	Kantelmacro 17
			184ó 191	Kantelmacro 18
			192ó 199	Kantelmacro 19
			200ó 207	Kantelmacro 20
			208ó 215	Kantelmacro 21
			216ó 223	Kantelmacro 22
			224ó 231	Kantelmacro 23
			232ó 239	Kantelmacro 24
			240ó 247	Kantelmacro 25
248ó 255	Kantelmacro 26			
20	Kantelmacro snelheid	000ó 255	Snel tot langzaam	
21	Dimmer	000ó 255	0–100%	
	22	Sluiter	000ó 019	Uit
			020ó 024	Aan
			025ó 064	Langzaam tot snel
			065ó 069	Aan
			070ó 084	Snel aan, langzaam uit, snel tot langzaam
			085ó 089	Aan
			090ó 104	Langzaam aan, snel uit, snel tot langzaam
			105ó 109	Aan
			110ó 124	Willekeurig, snel tot langzaam
			125ó 129	Aan
			130ó 144	Willekeurig snel aan, langzaam uit, snel tot langzaam
			145ó 149	Aan
			150ó 164	Willekeurig langzaam aan, snel uit, snel tot langzaam
			165ó 169	Aan
			170ó 184	Puls, snel tot langzaam
			185ó 189	Aan
190ó 204	Willekeurige puls, snel tot langzaam			
205ó 209	Aan			

“Advanced Movement”	Kanaal	Functie	Waarde	Percentage/instelling
Modus (23CH vervolg)	22	Sluiter	210ó 224	Infaden, uitfaden, snel tot langzaam
			225ó 229	Aan
			230ó 244	Willekeurige puls, snel tot langzaam
			245ó 255	Aan
23	Regeling	000ó 009	Geen functie	
		010ó 014	Handmatige kantelverduistering	
		015ó 019	Annuleer handmatige kantelverduistering	
		020ó 024	1 armatuurmacro	
		025ó 029	2 armatuurmacro 2	
		030ó 034	4 armatuurmacro 1	
		035ó 039	4 armatuurmacro 2	
		040ó 044	4 armatuurmacro 2	
		045ó 049	4 armatuurmacro 3	
		050ó 054	4 armatuurmacro 4	
		055ó 059	Zwenkreset	
		060ó 064	Kantelreset	
		065ó 069	Geen functie (gereserveerd voor toekomstig gebruik)	
		070ó 074	Alles herstellen	
		075ó 079	Geen functie (gereserveerd voor toekomstig gebruik)	
		080ó 084	Zwenken/kantelen omkeren	
		085ó 089	Zwenken omkeren	
		090ó 094	Kantelen omkeren	
		095ó 099	Omkeren kantelen annuleren	
		100ó 104	Omkeren zwenken annuleren	
		105ó 109	Omkeren kantelen/zwenken annuleren	
		110ó 114	Geen functie (gereserveerd voor toekomstig gebruik)	
		115ó 119	Koppel alle koppen aan kop 1	
120ó 124	Ontkoppel alle koppen van kop 1			
125ó 129	Geen functie (gereserveerd voor toekomstig gebruik)			
130ó 134	Geen functie (gereserveerd voor toekomstig gebruik)			
135ó 139	Dimmersnelheid modus snel			
140ó 144	Dimmersnelheid modus soepel			
145ó 255	Geen functie			

“Standard Movement”	Kanaal	Functie	Waarde	Percentage/instelling
Modus (17CH)	1	Zwenken	000ó 255	0–100%
	2	Continue zwenken	000	Geen functie
			001ó 127	Rotatie tegen de klok in, langzaam tot snel
			128	Stop
	129ó 255	Rotatie met de klok mee, langzaam tot snel		
	3	Kantelen 1	000ó 255	0–100%
	4	Kantelen 2	000ó 255	0–100%
	5	Kantelen 3	000ó 255	0–100%
6	Kantelen 4	000ó 255	0–100%	
7	Kantelen 5	000ó 255	0–100%	
8	Continue Kantelen 1	000	Geen functie	
		001ó 127	Rotatie tegen de klok in, langzaam tot snel	
		128	Stop	
129ó 255	Rotatie met de klok mee, langzaam tot snel			

“Standard Movement”	Kanaal	Functie	Waarde	Percentage/instelling
Modus (17CH vervolg)	9	Continue Kantelen 2	000	Geen functie
			001 ó 127	Rotatie tegen de klok in, langzaam tot snel
			128	Stop
			129 ó 255	Rotatie met de klok mee, langzaam tot snel
	10	Continue Kantelen 3	000	Geen functie
			001 ó 127	Rotatie tegen de klok in, langzaam tot snel
			128	Stop
			129 ó 255	Rotatie met de klok mee, langzaam tot snel
	11	Continue Kantelen 4	000	Geen functie
			001 ó 127	Rotatie tegen de klok in, langzaam tot snel
			128	Stop
			129 ó 255	Rotatie met de klok mee, langzaam tot snel
12	Continue Kantelen 5	000	Geen functie	
		001 ó 127	Rotatie tegen de klok in, langzaam tot snel	
		128	Stop	
		129 ó 255	Rotatie met de klok mee, langzaam tot snel	
13	Kantelmacro	000 ó 047	Geen functie	
		048 ó 055	Kantelmacro 1	
		056 ó 063	Kantelmacro 2	
		064 ó 071	Kantelmacro 3	
		072 ó 079	Kantelmacro 4	
		080 ó 087	Kantelmacro 5	
		088 ó 095	Kantelmacro 6	
		096 ó 103	Kantelmacro 7	
		104 ó 111	Kantelmacro 8	
		112 ó 119	Kantelmacro 9	
		120 ó 127	Kantelmacro 10	
		128 ó 135	Kantelmacro 11	
		136 ó 143	Kantelmacro 12	
		144 ó 151	Kantelmacro 13	
		152 ó 159	Kantelmacro 14	
		160 ó 167	Kantelmacro 15	
		168 ó 175	Kantelmacro 16	
		176 ó 183	Kantelmacro 17	
		184 ó 191	Kantelmacro 18	
		192 ó 199	Kantelmacro 19	
		200 ó 207	Kantelmacro 20	
		208 ó 215	Kantelmacro 21	
		216 ó 223	Kantelmacro 22	
		224 ó 231	Kantelmacro 23	
		232 ó 239	Kantelmacro 24	
		240 ó 247	Kantelmacro 25	
248 ó 255	Kantelmacro 26			
14	Kantelmacro snelheid	000 ó 255	Snel tot langzaam	
15	Dimmer	000 ó 255	0–100%	

"Standard Movement" Modus (17CH vervolg)	Kanaal	Functie	Waarde	Percentage/instelling
16	16	Sluiter	000ó 019	Uit
			020ó 024	Aan
			025ó 064	Langzaam tot snel
			065ó 069	Aan
			070ó 084	Snel aan, langzaam uit, snel tot langzaam
			085ó 089	Aan
			090ó 104	Langzaam aan, snel uit, snel tot langzaam
			105ó 109	Aan
			110ó 124	Willekeurig, snel tot langzaam
			125ó 129	Aan
			130ó 144	Willekeurig snel aan, langzaam uit, snel tot langzaam
			145ó 149	Aan
			150ó 164	Willekeurig langzaam aan, snel uit, snel tot langzaam
			165ó 169	Aan
			170ó 184	Puls, snel tot langzaam
			185ó 189	Aan
			190ó 204	Willekeurige puls, snel tot langzaam
			205ó 209	Aan
			210ó 224	Infaden, uitfaden, snel tot langzaam
			225ó 229	Aan
230ó 244	Willekeurige puls, snel tot langzaam			
245ó 255	Aan			
17	17	Regeling	000ó 009	Geen functie
			010ó 014	Handmatige kantelverduistering
			015ó 019	Annuleer handmatige kantelverduistering
			020ó 024	1 armatuurmacro
			025ó 029	2 armatuurmacro 2
			030ó 034	4 armatuurmacro 1
			035ó 039	4 armatuurmacro 2
			040ó 044	4 armatuurmacro 2
			045ó 049	4 armatuurmacro 3
			050ó 054	4 armatuurmacro 4
			055ó 059	Zwenkreset
			060ó 064	Kantelreset
			065ó 069	Geen functie (gereserveerd voor toekomstig gebruik)
			070ó 074	Alles herstellen
			075ó 079	Geen functie (gereserveerd voor toekomstig gebruik)
			080ó 084	Zwenken/kantelen omkeren
			085ó 089	Zwenken omkeren
			090ó 094	Kantelen omkeren
			095ó 099	Omkeren kantelen annuleren
			100ó 104	Omkeren zwenken annuleren
			105ó 109	Omkeren kantelen/zwenken annuleren
			110ó 114	Geen functie (gereserveerd voor toekomstig gebruik)
			115ó 119	Koppel alle koppen aan kop 1
			120ó 124	Ontkoppel alle koppen van kop 1
			125ó 129	Geen functie (gereserveerd voor toekomstig gebruik)
130ó 134	Geen functie (gereserveerd voor toekomstig gebruik)			
135ó 139	Dimmersnelheid modus snel			
140ó 144	Dimmersnelheid modus soepel			
145ó 255	Geen functie			

“Basic Movement”	Kanaal	Functie	Waarde	Percentage/instelling
	Modus (10CH)	1	Zwenken	000ó255
2		Continue zwenken	000	Geen functie
3	001ó127		Rotatie tegen de klok in, langzaam tot snel	
	128		Stop	
4	129ó255	Rotatie met de klok mee, langzaam tot snel		
5	Kantelen alle	000ó255	0–100%	
6	Continue kantelen alle	000	Geen functie	
		001ó127	Rotatie tegen de klok in, langzaam tot snel	
7	Kantelen alle	128	Stop	
		129ó255	Rotatie met de klok mee, langzaam tot snel	
8	Kantelverplaatsing	000ó255	Verplaatsing koppen van elkaar, 0–360°	
6	Kantelmacro	000ó047	Geen functie	
		048ó055	Kantelmacro 1	
		056ó063	Kantelmacro 2	
		064ó071	Kantelmacro 3	
		072ó079	Kantelmacro 4	
		080ó087	Kantelmacro 5	
		088ó095	Kantelmacro 6	
		096ó103	Kantelmacro 7	
		104ó111	Kantelmacro 8	
		112ó119	Kantelmacro 9	
		120ó127	Kantelmacro 10	
		128ó135	Kantelmacro 11	
		136ó143	Kantelmacro 12	
		144ó151	Kantelmacro 13	
		152ó159	Kantelmacro 14	
		160ó167	Kantelmacro 15	
		168ó175	Kantelmacro 16	
		176ó183	Kantelmacro 17	
		184ó191	Kantelmacro 18	
		192ó199	Kantelmacro 19	
		200ó207	Kantelmacro 20	
		208ó215	Kantelmacro 21	
		216ó223	Kantelmacro 22	
		224ó231	Kantelmacro 23	
		232ó239	Kantelmacro 24	
		240ó247	Kantelmacro 25	
248ó255	Kantelmacro 26			
7	Kantelmacro snelheid	000ó255	Snel tot langzaam	
8	Dimmer	000ó255	0–100%	

“Basic Movement” Modus (10CH)	Kanaal	Functie	Waarde	Percentage/instelling
9	9	Sluiter	000ó 019	Uit
			020ó 024	Aan
			025ó 064	Langzaam tot snel
			065ó 069	Aan
			070ó 084	Snel aan, langzaam uit, snel tot langzaam
			085ó 089	Aan
			090ó 104	Langzaam aan, snel uit, snel tot langzaam
			105ó 109	Aan
			110ó 124	Willekeurig, snel tot langzaam
			125ó 129	Aan
			130ó 144	Willekeurig snel aan, langzaam uit, snel tot langzaam
			145ó 149	Aan
			150ó 164	Willekeurig langzaam aan, snel uit, snel tot langzaam
			165ó 169	Aan
			170ó 184	Puls, snel tot langzaam
			185ó 189	Aan
			190ó 204	Willekeurige puls, snel tot langzaam
			205ó 209	Aan
			210ó 224	Infaden, uitfaden, snel tot langzaam
			225ó 229	Aan
230ó 244	Willekeurige puls, snel tot langzaam			
245ó 255	Aan			
10	10	Regeling	000ó 009	Geen functie
			010ó 014	Handmatige kantelverduistering
			015ó 019	Annuleer handmatige kantelverduistering
			020ó 024	1 armatuurmacro
			025ó 029	2 armatuurmacro 2
			030ó 034	4 armatuurmacro 1
			035ó 039	4 armatuurmacro 2
			040ó 044	4 armatuurmacro 2
			045ó 049	4 armatuurmacro 3
			050ó 054	4 armatuurmacro 4
			055ó 059	Zwenkreset
			060ó 064	Kantelreset
			065ó 069	Geen functie (gereserveerd voor toekomstig gebruik)
			070ó 074	Alles herstellen
			075ó 079	Geen functie (gereserveerd voor toekomstig gebruik)
			080ó 084	Zwenken/kantelen omkeren
			085ó 089	Zwenken omkeren
			090ó 094	Kantelen omkeren
			095ó 099	Omkeren kantelen annuleren
			100ó 104	Omkeren zwenken annuleren
			105ó 109	Omkeren kantelen/zwenken annuleren
			110ó 114	Geen functie (gereserveerd voor toekomstig gebruik)
			115ó 119	Koppel alle koppen aan kop 1
			120ó 124	Ontkoppel alle koppen van kop 1
			125ó 129	Geen functie (gereserveerd voor toekomstig gebruik)
130ó 134	Geen functie (gereserveerd voor toekomstig gebruik)			
135ó 139	Dimmersnelheid modus snel			
140ó 144	Dimmersnelheid modus soepel			
145ó 255	Geen functie			

“Dual Control Pixel”-waarden

RGBW Modus	Kanaal	Functie	Waarde	Percentage/instelling
(20CH)	1	Kop 1 Rood	000ó255	RGBW-modus: 0–100%/CMY-modus: 100%–0
	2	Kop 1 Groen	000ó255	RGBW-modus: 0–100%/CMY-modus: 100%–0
	3	Kop 1 Blauw	000ó255	RGBW-modus: 0–100%/CMY-modus: 100%–0
	4	Kop 1 Wit	000ó255	RGBW-modus: 0–100%/CMY-modus: 100%–0
	5	Kop 2 Rood	000ó255	RGBW-modus: 0–100%/CMY-modus: 100%–0
	6	Kop 2 Groen	000ó255	RGBW-modus: 0–100%/CMY-modus: 100%–0
	7	Kop 2 Blauw	000ó255	RGBW-modus: 0–100%/CMY-modus: 100%–0
	8	Kop 2 Wit	000ó255	RGBW-modus: 0–100%/CMY-modus: 100%–0
	9	Kop 3 Rood	000ó255	RGBW-modus: 0–100%/CMY-modus: 100%–0
	10	Kop 3 Groen	000ó255	RGBW-modus: 0–100%/CMY-modus: 100%–0
	11	Kop 3 Blauw	000ó255	RGBW-modus: 0–100%/CMY-modus: 100%–0
	12	Kop 3 Wit	000ó255	RGBW-modus: 0–100%/CMY-modus: 100%–0
	13	Kop 4 Rood	000ó255	RGBW-modus: 0–100%/CMY-modus: 100%–0
	14	Kop 4 Groen	000ó255	RGBW-modus: 0–100%/CMY-modus: 100%–0
	15	Kop 4 Blauw	000ó255	RGBW-modus: 0–100%/CMY-modus: 100%–0
	16	Kop 4 Wit	000ó255	RGBW-modus: 0–100%/CMY-modus: 100%–0
	17	Kop 5 Rood	000ó255	RGBW-modus: 0–100%/CMY-modus: 100%–0
	18	Kop 5 Groen	000ó255	RGBW-modus: 0–100%/CMY-modus: 100%–0
	19	Kop 5 Blauw	000ó255	RGBW-modus: 0–100%/CMY-modus: 100%–0
	20	Kop 5 Wit	000ó255	RGBW-modus: 0–100%/CMY-modus: 100%–0

RGB Modus	Kanaal	Functie	Waarde	Percentage/instelling
(15CH)	1	Kop 1 Rood	000ó255	RGBW-modus: 0–100%/CMY-modus: 100%–0
	2	Kop 1 Groen	000ó255	RGBW-modus: 0–100%/CMY-modus: 100%–0
	3	Kop 1 Blauw	000ó255	RGBW-modus: 0–100%/CMY-modus: 100%–0
	4	Kop 2 Rood	000ó255	RGBW-modus: 0–100%/CMY-modus: 100%–0
	5	Kop 2 Groen	000ó255	RGBW-modus: 0–100%/CMY-modus: 100%–0
	6	Kop 2 Blauw	000ó255	RGBW-modus: 0–100%/CMY-modus: 100%–0
	7	Kop 3 Rood	000ó255	RGBW-modus: 0–100%/CMY-modus: 100%–0
	8	Kop 3 Groen	000ó255	RGBW-modus: 0–100%/CMY-modus: 100%–0
	9	Kop 3 Blauw	000ó255	RGBW-modus: 0–100%/CMY-modus: 100%–0
	10	Kop 4 Rood	000ó255	RGBW-modus: 0–100%/CMY-modus: 100%–0
	11	Kop 4 Groen	000ó255	RGBW-modus: 0–100%/CMY-modus: 100%–0
	12	Kop 4 Blauw	000ó255	RGBW-modus: 0–100%/CMY-modus: 100%–0
	13	Kop 5 Rood	000ó255	RGBW-modus: 0–100%/CMY-modus: 100%–0
	14	Kop 5 Groen	000ó255	RGBW-modus: 0–100%/CMY-modus: 100%–0
	15	Kop 5 Blauw	000ó255	RGBW-modus: 0–100%/CMY-modus: 100%–0

Contact USA WORLD HEADQUARTERS**Us General Information**

Address: 5200 NW 108th Avenue
Sunrise, FL 33351
Voice: (954) 577-4455
Fax: (954) 929-5560
Toll free: (800) 762-1084

Technical Support

Voice: (844) 393-7575
Fax: (954) 756-8015
Email: chauvetcs@chauvetlighting.com

World Wide Web

www.chauvetlighting.com

EUROPE**General Information**

Address: Stokstraat 18
9770 Kruishoutem
Belgium
Voice: +32 9 388 93 97

Technical Support

Email: Eutech@chauvetlighting.eu

World Wide Web

www.chauvetlighting.eu

General Information

Address: Unit 1C
Brookhill Road Industrial Estate
Pinxton, Nottingham, UK
NG16 6NT
Voice: +44 (0)1773 511115
Fax: +44 (0)1773 511110

Technical Support

Email: uktech@chauvetlighting.com

World Wide Web

www.chauvetlighting.co.uk

MEXICO**General Information**

Address: Av. de las Partidas 34 - 3B
(Entrance by Calle 2)
Zona Industrial Lerma
Lerma, Edo. de México, CP 52000
Voice: +52 (728) 690-2010

Technical Support

Email: servicio@chauvet.com.mx

World Wide Web

www.chauvet.com.mx

Visit the applicable website above to verify our contact information and instructions to request support. Outside the U.S., United Kingdom, Ireland, Mexico or Benelux, contact the dealer of record.



UL 1573
CSA C22.2 No. 166
E113093

